

**PARTS
CATALOGUE
CATALOGO
DE REPUESTOS**

225F '03_(65J2)

250B '03_(65L2)

L225F '03_(65K2)

L250B '03_(65M2)

YAMAHA
GENUINE
Parts & Accessories

2B65J-200S1

FOREWORD

This Parts Catalogue is related to the parts for the model(s) in the below frame. When you are ordering replacement parts, please refer to this Parts Catalogue and quote both part numbers and part names correctly.

225F'03(65J2), 250B'03(65L2),
L225F'03(65K2), L250B'03(65M2)

1. Modifications or additions which have been made after issue of the Parts Catalogue will be announced in the Yamaha Parts News.
It is advisable that you make necessary corrections to the Parts Catalogue according to the Yamaha Parts News.

2. Abbreviations

The Following abbreviations are used in this Parts Catalogue.

“UR” Use specified parts number.

“UN” Use as many as needed.

“AP” Alternate Parts

“LM” Local Made
(Parts need to be ordered locally)

“O/S” Over Size

3. Parts, which are to be supplied in an assembly, are listed with a dot(.) in front of the part name as shown below.

EXAMPLE

CARBURETOR ASSY
.JET, PILOT
.NOZZLE, MAIN

4. Number of component for assembly

The numeral appearing to the right of each component part indicates the quantity of parts for each assembly unit.

EXAMPLE

PART NO.	DESCRIPTION	u	u	u	u	REMARKS
6E0-85500-70	C.D.I. MAGNETO ASSY	1				
6E0-85550-70	.ROTOR ASSY	1				
6E0-15723-00-94..	PULLY, STARTER	1				

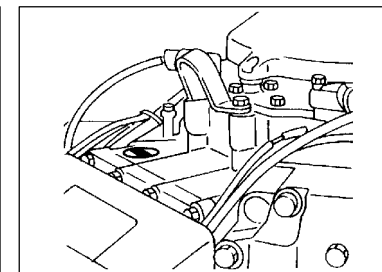
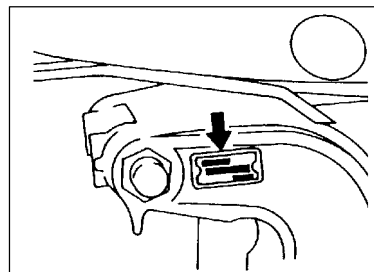
5. Quantity Column Information

NAME for Q'TY COLUMN	APPLICABLE MODEL
65J2	225FETO
65L2	250BETO
65K2	L225FETO
65M2	L250BETO

6. Applicable Starting Serial No. and Color Code

1) Engine Starting Serial No.

225FETO X 62J : 1000001	L225FETO X 62K : 1000001
250BETO X 61A : 1000001	L250BETO X 61B : 1000001



2) Color Code

Color Code	Color Name	Abbreviation
004D	DARK BLUISH GRAY METALLIC 2	DBNM2

7. Note that the illustrations for reference in finding parts numbers, not to be used for assembling. When assembling, please use the applicable service manual.
8. The asterisk (*) before a reference number indicates modification items after the first edition.

CONTENTS

SHEET 1/2

TOP COWLING	A4
CYLINDER. CRANKCASE 1	A6
CRANKSHAFT. PISTON	B1
CYLINDER. CRANKCASE 2	B3
FUEL INJECTION PUMP	B4
FUEL INJECTION NOZZLE	B7
INTAKE	C2
OIL PUMP	C3
OIL TANK	C4
FUEL 1	C6
FUEL 2	D2
GENERATOR	D3
ELECTRICAL 1	D4
ELECTRICAL 2	D5
ELECTRICAL 3	D7
ELECTRICAL 4	E3
STARTING MOTOR	E4
BOTTOM COWLING	E5
CONTROL	F1
BRACKET 1	F4
BRACKET 2	F6

INDEX

NUMERICAL INDEX	G1
-----------------------	----

SHEET 2/2

POWER TRIM & TILT ASSY	A4*
UPPER CASING	B1*
LOWER CASING. DRIVE 1	B3*
LOWER CASING. DRIVE 2	B7*
LOWER CASING. DRIVE 3	C2*
LOWER CASING. DRIVE 4	C6*
FUEL TANK	C7*
STEERING GUIDE ATTACHMENT 1	D1*
STEERING GUIDE ATTACHMENT 2	D2*
REMOTE CONTROL BOX	D3*
REMOTE CONTROL ASSY 1	D4*
REMOTE CONTROL ASSY 2	D7*
METER	E3*
SWITCH. PANEL 1	E5*
SWITCH. PANEL 2	E6*
REPAIR KIT 1	E7*
REPAIR KIT 2	F1*

INDEX

NUMERICAL INDEX	G1*
-----------------------	-----

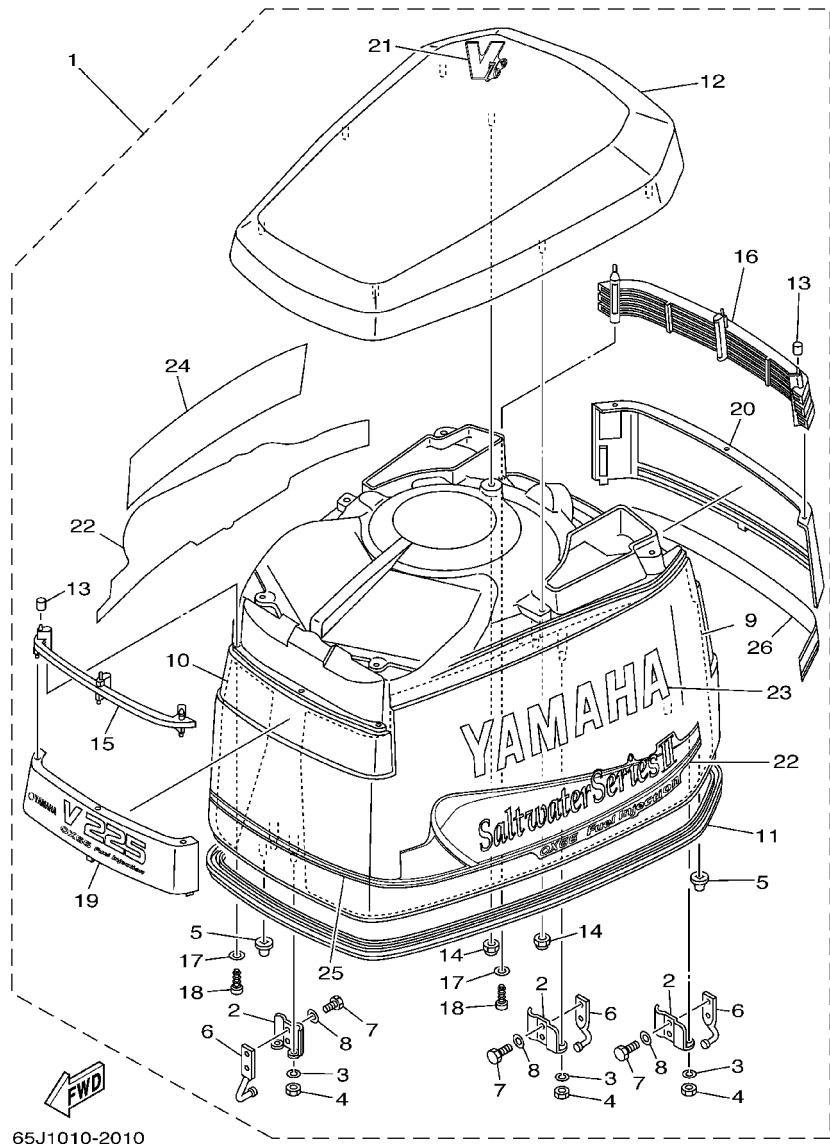


FIG. 1 TOP COWLING

SOPORTE SUPERIOR

REF. NO.	PART NO. CODIGO NO.	DESCRIPTION DESCRIPTION	65J2	65L2	65K2	65M2	REMARKS OBSERVACION
1	65J-42610-T0-4D	TOP COWLING ASSY SOPORTE SUPERIOR COMPL.	1		1		
	65L-42610-T0-4D	TOP COWLING ASSY SOPORTE SUPERIOR COMPL.		1		1	
	65L-42610-00-4D	TOP COWLING ASSY SOPORTE SUPERIOR COMPL.		1		1	FOR BRAZIL
2	6R3-42647-00	.HOLDER, CLAMP BAND .MORDAZA DE ABRAZADERA	3	3	3	3	
3	92990-06100	.WASHER, SPRING .ARANDELA GROWER	6	6	6	6	
4	95380-06600	.NUT, HEXAGON .TUERCA	6	6	6	6	
5	6R3-42662-00	.DAMPER .AMORTIGUADOR	3	3	3	3	
6	6R3-42814-00	.HOOK, CLAMP .GANCHO GRAMPA	3	3	3	3	
7	97095-06012	.BOLT .PERNO	6	6	6	6	
8	92995-06600	.WASHER .ARANDELA	6	6	6	6	
9	61A-42619-02	.DAMPER, FORM .HULE DE FORMA	1	1	1	1	
10	61A-42627-02	.DAMPER, FORM .AMORTIGUADOR FORMA 3	1	1	1	1	
11	61A-42615-01	.SEAL .SELLO	1	1	1	1	
12	61A-42613-01-4D	.MOLDING, AIR DUCT .MOLDURA CONDUCTO AIRE	1	1	1	1	
13	90385-04M05	.BUSH .BUJE	6	6	6	6	
14	90179-06M24	.NUT .TUERCA	7	7	7	7	
15	61A-42626-00	.LOUVER, 1 .AMORTIGUADOR 1	1	1	1	1	
16	61A-42636-00	.LOUVER 2 .REJILLA 2	1	1	1	1	
17	92990-04600	.WASHER, PLATE .ARANDELA PLANA	6	6	6	6	
18	97780-40520	.SCREW, TAPPING .TORNILLO DE CABEZA DE CONO AC	6	6	6	6	
19	65J-42686-T0	.EMBLEM, FRONT .EMBLEMA DEL FRENTE	1		1		
	65L-42686-T0	.EMBLEM, FRONT .EMBLEMA DEL FRENTE		1		1	
	65L-42686-00	.EMBLEM, FRONT .EMBLEMA DEL FRENTE		1		1	FOR BRAZIL
20	65J-42687-S0	.EMBLEM, REAR .EMBLEMA TRASERO	1		1		
	65L-42687-S0	.EMBLEM, REAR .EMBLEMA TRASERO		1		1	
	65L-42687-V0	.EMBLEM, REAR .EMBLEMA TRASERO		1		1	FOR BRAZIL
21	65J-42683-S0	.MARK, COWLING .MARCA DE CUBIERTA	1		1		

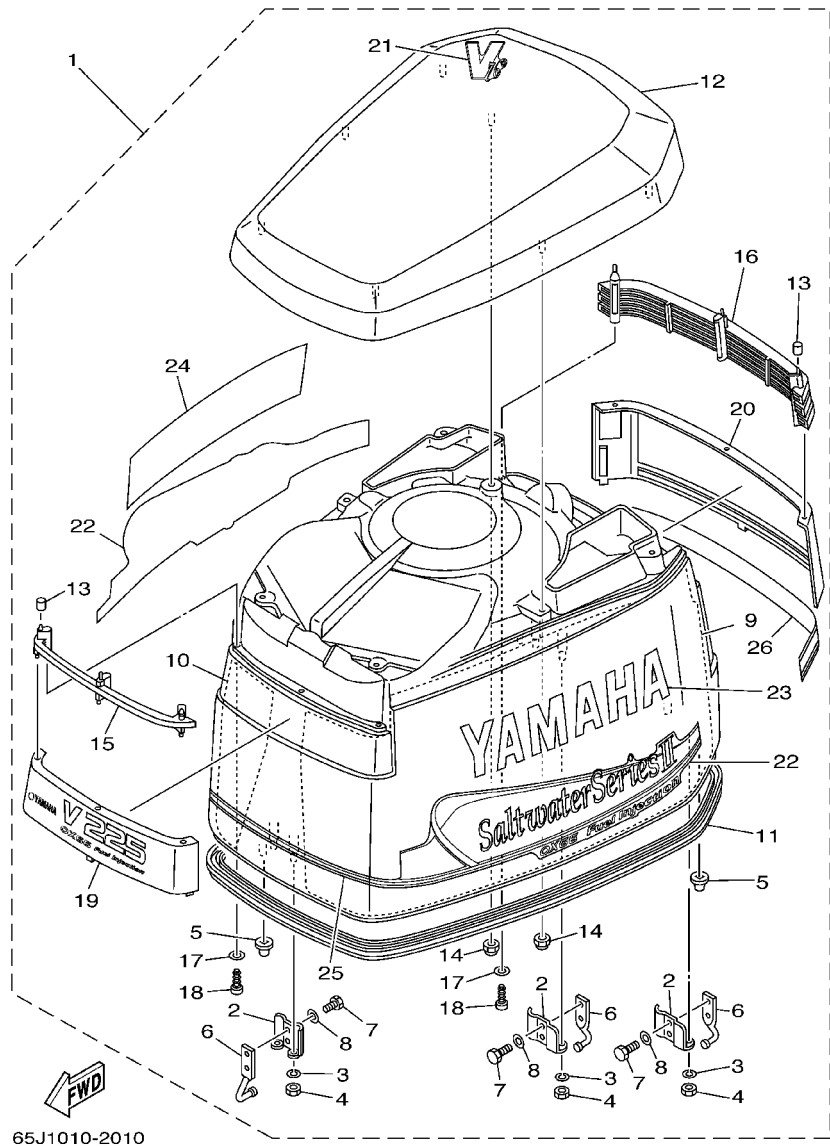


FIG. 1 TOP COWLING

SOPORTE SUPERIOR

REF. NO.	PART NO. CODIGO NO.	DESCRIPTION DESCRIPTION	65J2	65L2	65K2	65M2	REMARKS OBSERVACION
21	65L-42683-S0	.MARK, COWLING .MARCA DE CUBIERTA			1	1	
22	61A-W0070-S1	.GRAPHIC SET .JUEGO DE EMBLEMA	1	1	1	1	FOR BRAZIL
	65L-W0070-V0	.GRAPHIC SET .JUEGO DE EMBLEMA		1		1	
23	62J-42681-S1	.MARK, COWLING .MARCA DE CUBIERTA	1		1		
	61A-42681-S1	.MARK, COWLING .MARCA DE CUBIERTA		1		1	
24	62J-42682-S1	.MARK, COWLING .MARCA DE CUBIERTA	1		1		
	61A-42682-S1	.MARK, COWLING .MARCA DE CUBIERTA		1		1	
25	61A-42677-S1	.GRAPHIC, FRONT .CALCAMONIA FRONTAL	1	1	1	1	
26	61A-4267A-S1	.GRAPHIC, REAR 2 .CALCAMONIA TRASERA 2	1	1	1	1	

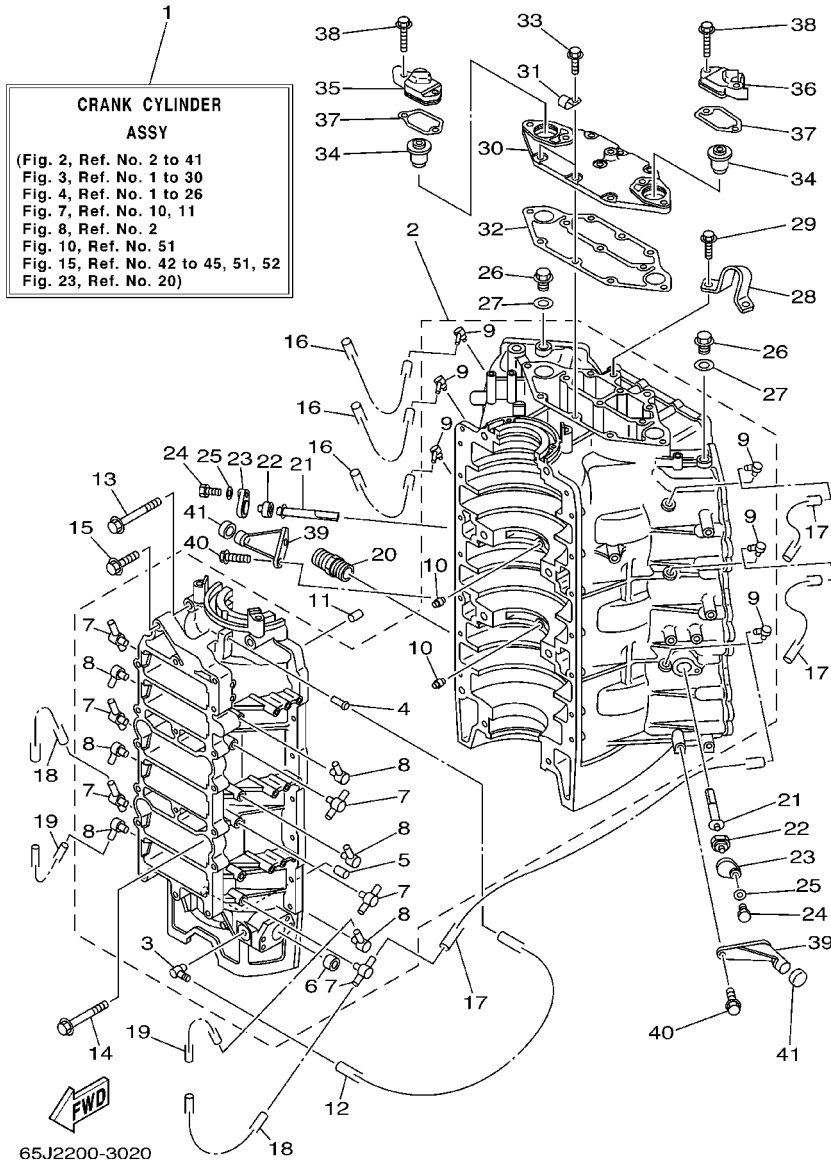


FIG. 2 CYLINDER. CRANKCASE 1 CYLINDRO. CARTER 1

REF. NO.	PART NO. CODIGO NO.	DESCRIPTION DESCRIPTION	65J2	65L2	65K2	65M2	REMARKS OBSERVACION
1	65J-W0090-13-1S	CRANK CYLINDER ASSY	1		1		
	65L-W0090-13-1S	BLOQUE MOTOR COMPLETO		1		1	
2	65J-15100-02-1S	CRANKCASE ASSY	1		1		
	65L-15100-02-1S	CARTER COMPLETO		1		1	
3	6E5-11372-01	.NIPPLE, HOSE	1	1	1	1	
		.NIPLE DE MANGUERA					
4	624-14485-00	.PIPE, JOINT	1	1	1	1	
		.TUBO DE UNION					
5	90384-06M07	.BUSH, BIMETAL FORMED	1	1	1	1	
		.BUJE BIMETALICO					
6	90383-16M01	.BUSH, FORMED	1	1	1	1	
		.BUJE					
7	6F6-11372-00	.NIPPLE, HOSE	6	6	6	6	
		.NIPLE DE MANGUERA					
8	650-11372-00	.NIPPLE, HOSE	6	6	6	6	
		.NIPLE DE MANGUERA					
9	6E5-11372-01	.NIPPLE, HOSE	6	6	6	6	
		.NIPLE DE MANGUERA					
10	663-11518-01	.LOCK, BEARING	2	2	2	2	
		.SEGURO BALERO					
11	93608-12063	PIN, DOWEL	2	2	2	2	
		PASADOR DE CLAVIJA					
12	90445-07M11	HOSE (L610)	1	1	1	1	
		TUBO (L610)					
13	90105-10M62	BOLT, FLANGE	4	4	4	4	
		TORNILLO					
14	90105-10M75	BOLT, FLANGE	4	4	4	4	
		TORNILLO					
15	90119-06M13	BOLT, WITH WASHER	14	14	14	14	
		TORNILLO CON ARANDELA					
16	90445-07M44	HOSE (L250)	3	3	3	3	
		TUBO (L250)					
17	90445-07M40	HOSE (L225)	3	3	3	3	
		TUBO (L225)					
18	90445-07MA6	HOSE (L90)	6	6	6	6	
		TUBO (L90)					
19	90445-07MA6	HOSE (L90)	6	6	6	6	
		TUBO (L90)					
20	6G5-12581-00	JOINT, HOSE 1	1	1	1	1	
		CONEXION					
21	61A-11325-00	ANODE	2	2	2	2	
		ANODO					
22	6H3-11328-00	GROMMET, ANODE	2	2	2	2	
		TAPON					
23	6H3-11327-00-1S	COVER, ANODE	2	2	2	2	
		CUBIERTA					
24	97013-06016	BOLT	2	2	2	2	
		PERNO					
25	92903-06600	WASHER, PLATE	2	2	2	2	
		RONDANA SENCILLA					

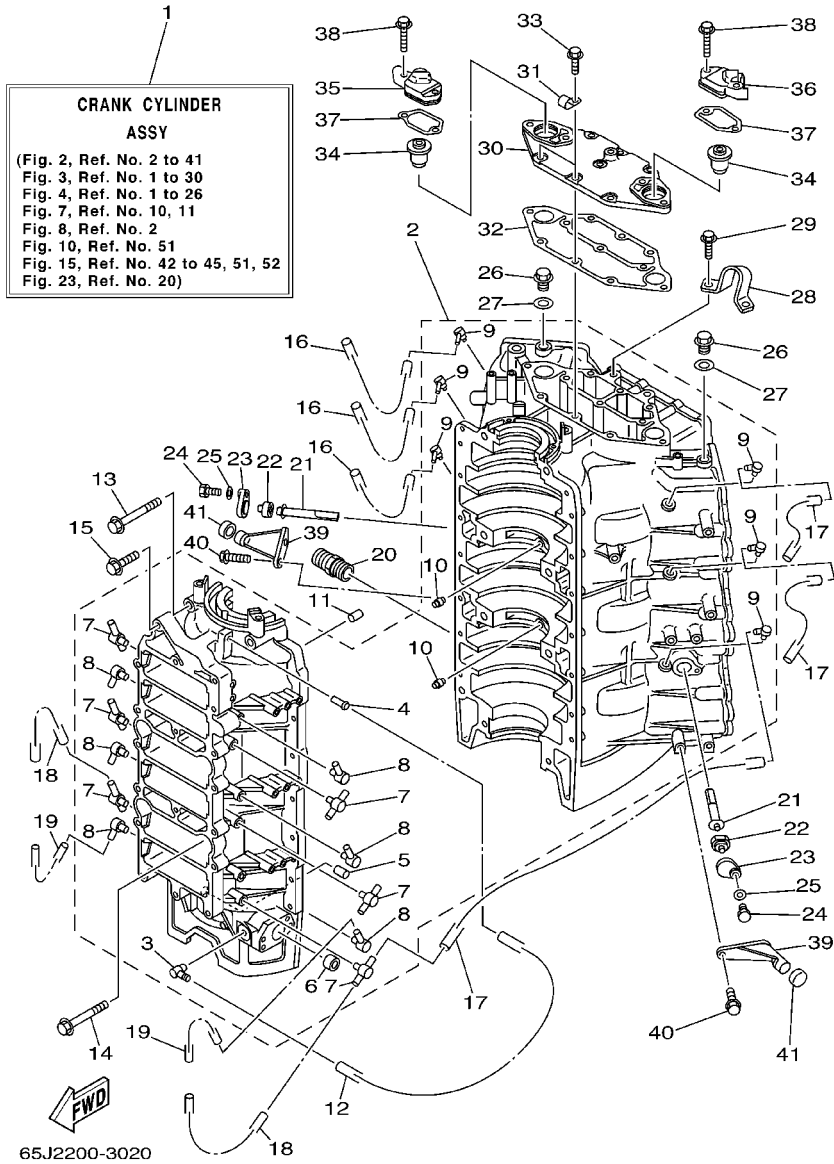


FIG. 2 CYLINDER. CRANKCASE 1 CYLINDRO. CARTER 1

REF. NO.	PART NO. CODIGO NO.	DESCRIPTION DESCRIPTION	65J2	65L2	65K2	65M2	REMARKS OBSERVACION
26	90340-14M00	PLUG, STRAIGHT SCREW TORNILLO, DE DRENAJE	2	2	2	2	
27	90430-14115	GASKET JUNTA	2	2	2	2	
28	6E5-11119-01	HANGER, ENGINE SOPORTE DEL MOTOR	1	1	1	1	
29	90119-08MA3	BOLT, WITH WASHER TORNILLO CON ARANDELA	2	2	2	2	
30	61A-11371-00-1S	COVER CUBIERTA 1	1	1	1	1	
31	90465-06M86	CLAMP BRIDA	2	2	2	2	
32	61A-11381-A0	GASKET 1 EMPAQUE 1	1	1	1	1	
33	90119-06MA2	BOLT, WITH WASHER TORNILLO CON ARANDELA	7	7	7	7	
34	6E5-12411-30	THERMOSTAT THERMOSTAT	2	2	2	2	
35	61A-12413-00-1S	COVER, THERMOSTAT CUBIERTA, THERMOSTATO	1	1	1	1	
36	61A-12413-10-1S	COVER, THERMOSTAT CUBIERTA, THERMOSTATO	1	1	1	1	
37	61A-12414-A0	GASKET, COVER EMPAQUE	2	2	2	2	
38	90119-06MA5	BOLT, WITH WASHER TORNILLO CON ARANDELA	4	4	4	4	
39	6E5-42761-00-1S	STOPPER RETEN 1	2	2	2	2	
40	90119-06MA2	BOLT, WITH WASHER TORNILLO CON ARANDELA	4	4	4	4	
41	68F-44533-00	DAMPER, UPPER MOUNT RUBBER AMORTIGUADOR SUPERIOR	2	2	2	2	

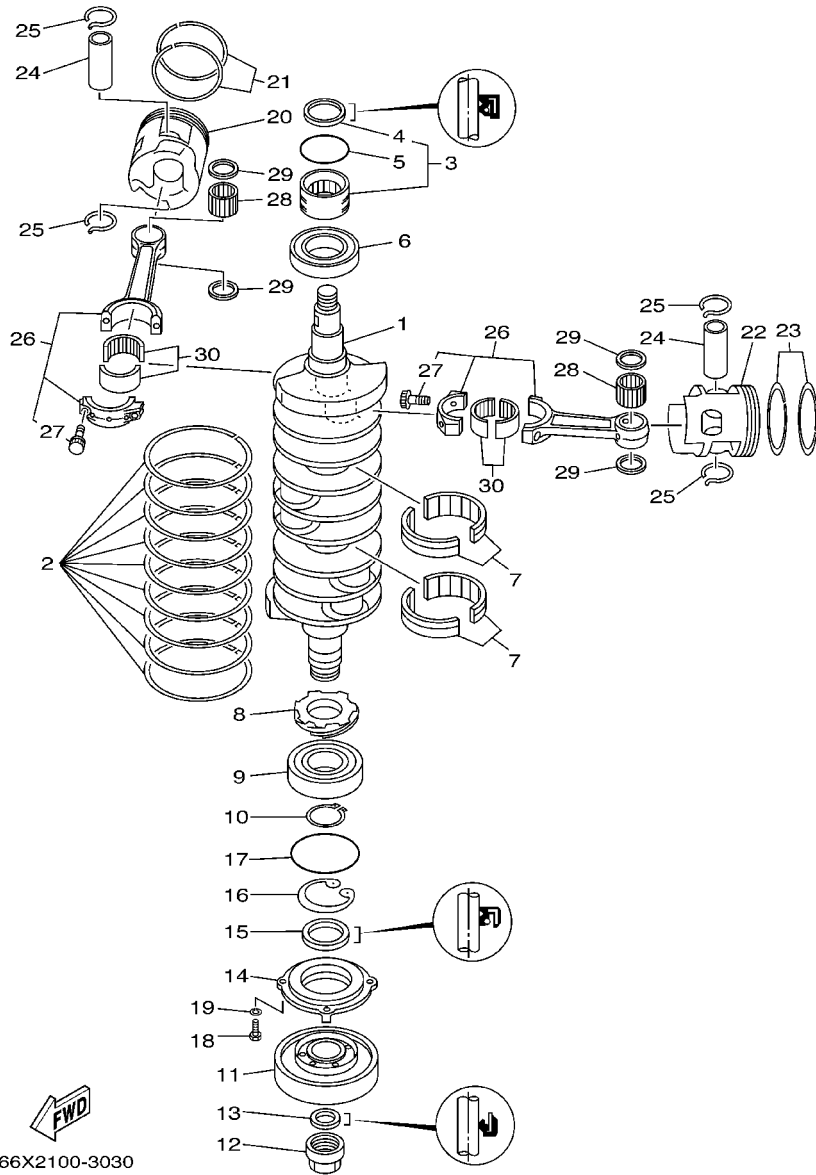
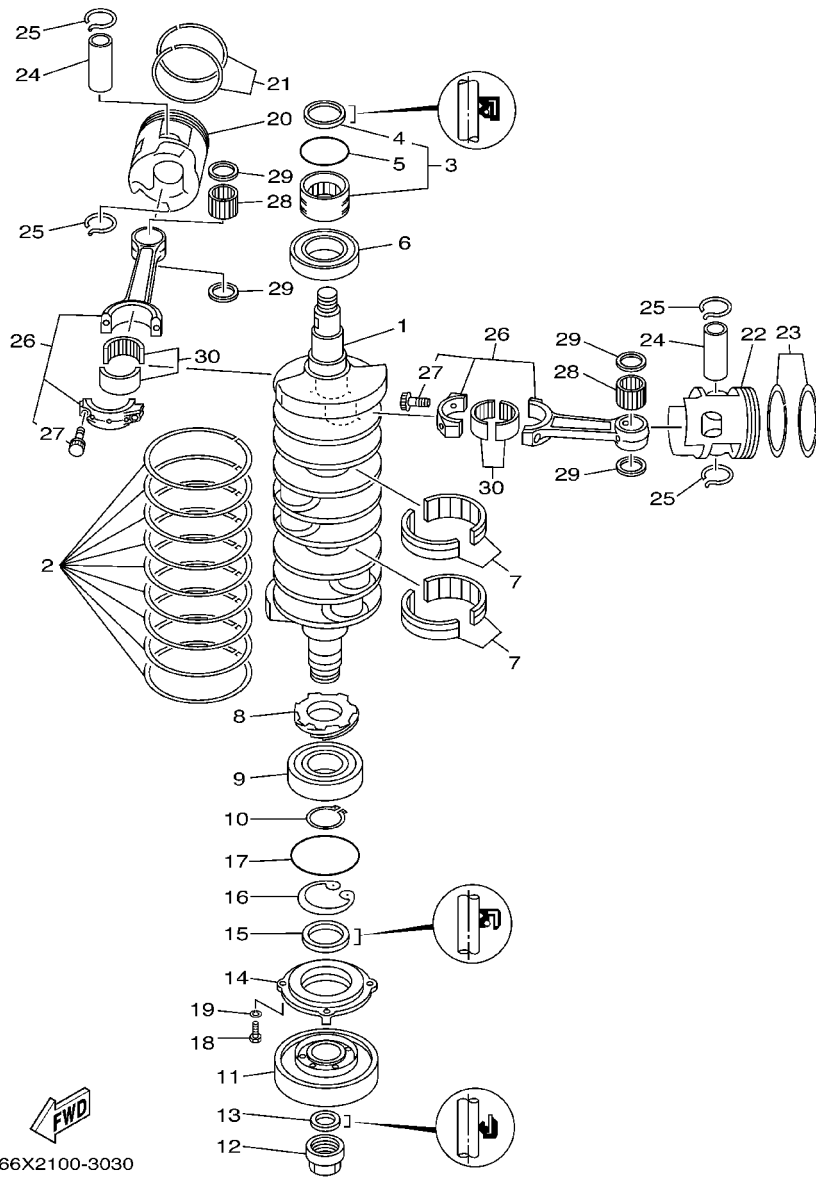


FIG. 3 CRANKSHAFT. PISTON CIGUENAL. PISTON

REF. NO.	PART NO. CODIGO NO.	DESCRIPTION DESCRIPTION	65J2	65L2	65K2	65M2	REMARKS OBSERVACION
1	61A-11411-00	CRANKSHAFT CIGUENAL	1	1	1	1	
2	61A-11447-00	SEAL, CRANK SELLO MANIVELA	9	9	9	9	
3	93311-940V0	BEARING COJINETE DE RODILLOS	1	1	1	1	
4	93102-40M38	.OIL SEAL .RETEN DE ACEITE	1	1	1	1	
5	93210-54M54	O-RING JUNTA TORICA	1	1	1	1	
6	93306-209U1	BEARING COJINETE	1	1	1	1	
7	93310-959U0	BEARING COJINETE DE RODILLOS	2	2	2	2	
8	61A-11536-00	GEAR, DRIVE ENGRANAJE TRACCION	1	1	1	1	
9	93306-308U0	BEARING COJINETE	1	1	1	1	
10	93410-40M03	CIRCLIP SEGURO	1	1	1	1	
11	61A-11586-01	PULLEY, CRANKSHAFT BALANCE POLEA EQUILIBR. DE CIGUENAL	1	1	1	1	
12	61A-11555-01	NUT, CRANKSHAFT 1 TUERCA CIGUENAL 1	1	1	1	1	
13	93104-22M07	OIL SEAL SELLO ACEITE	1	1	1	1	
14	61A-15359-00-94	HOUSING, OIL SEAL CAJA DE SELLO DE ACEITE	1	1	1	1	
15	93102-40M36	OIL SEAL RETEN DE ACEITE	1	1	1	1	
16	93420-61M07	CIRCLIP BOLA	1	1	1	1	
17	93210-81MA6	O-RING JUNTA TORICA	1	1	1	1	
18	97095-06020	BOLT PERNO	4	4	4	4	
19	92995-06100	WASHER, SPRING ARANDELA	4	4	4	4	
20	69L-11631-00-85	PISTON (STD) PISTON (NORMA)	3	3	3	3	
	69L-11635-00	PISTON (0.25MM O/S) PISTON (0.25MM O/S)	3	3	3	3	AP
	69L-11636-00	PISTON (0.50MM O/S) PISTON (0.50MM O/S)	3	3	3	3	AP
21	64D-11603-01	PISTON RING SET (STD) JUEGO DE ANILLOS (NORMA)	3	3	3	3	
	64D-11604-01	PISTON RING SET (0.25MM O/S) JUEGO DE ANILLOS (0.25MM O/S)	3	3	3	3	AP
	64D-11605-01	PISTON RING SET (0.50MM O/S) JUEGO DE ANILLOS (0.50MM O/S)	3	3	3	3	AP
22	69L-11642-00-85	PISTON 2 (STD) PISTON 2 (NORMA)	3	3	3	3	
	69L-11645-00	PISTON 2 (0.25MM O/S) PISTON 2 (0.25MM O/S)	3	3	3	3	AP

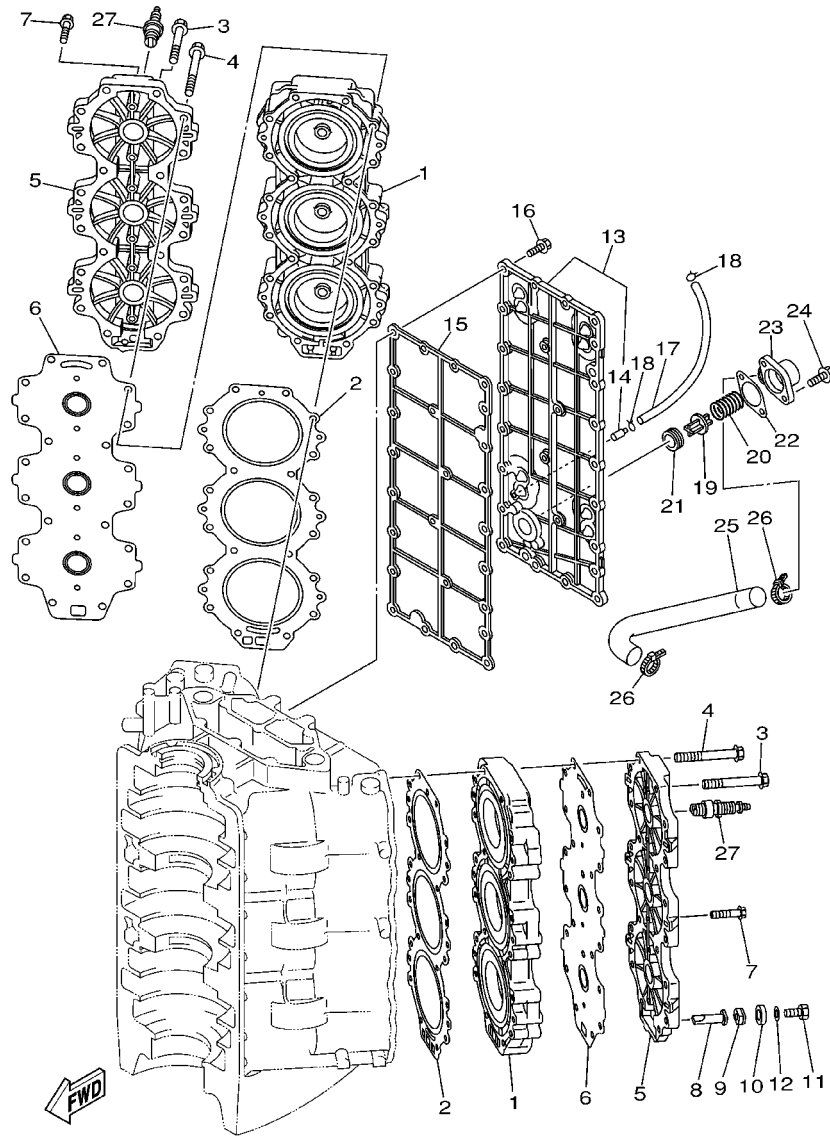


66X2100-3030

FIG. 3 CRANKSHAFT. PISTON CIGUENAL. PISTON

REF. NO.	PART NO. CODIGO NO.	DESCRIPTION DESCRIPTION	65J2	65L2	65K2	65M2	REMARKS OBSERVACION
22	69L-11646-00	PISTON 2 (0.50MM O/S) PISTON 2 (0.50MM O/S)	3	3	3	3	AP
23	64D-11603-01	PISTON RING SET (STD) JUEGO DE ANILLOS (NORMA)	3	3	3	3	
	64D-11604-01	PISTON RING SET (0.25MM O/S) JUEGO DE ANILLOS (0.25MM O/S)	3	3	3	3	AP
	64D-11605-01	PISTON RING SET (0.50MM O/S) JUEGO DE ANILLOS (0.50MM O/S)	3	3	3	3	AP
24	61A-11633-02	PIN, PISTON PASADOR, PISTON	6	6	6	6	
25	61A-11634-00	CLIP, PISTON PIN PRESILLA, BULON DE PISTON	12	12	12	12	
26	61A-11650-00	CONNECTING ROD ASSY BIELA COMPLETA	6	6	6	6	
27	90109-09001	.BOLT .PERNO	2	2	2	2	
28	93310-326V4	BEARING COJINETE DE RODILLOS	6	6	6	6	
29	90201-26M03	WASHER, PLATE ARANDELA PLANA	12	12	12	12	
30	93310-840V8	BEARING COJINETE DE RODILLOS	6	6	6	6	

FIG. 4 CYLINDER. CRANKCASE 2 CYLINDRO. CARTER 2

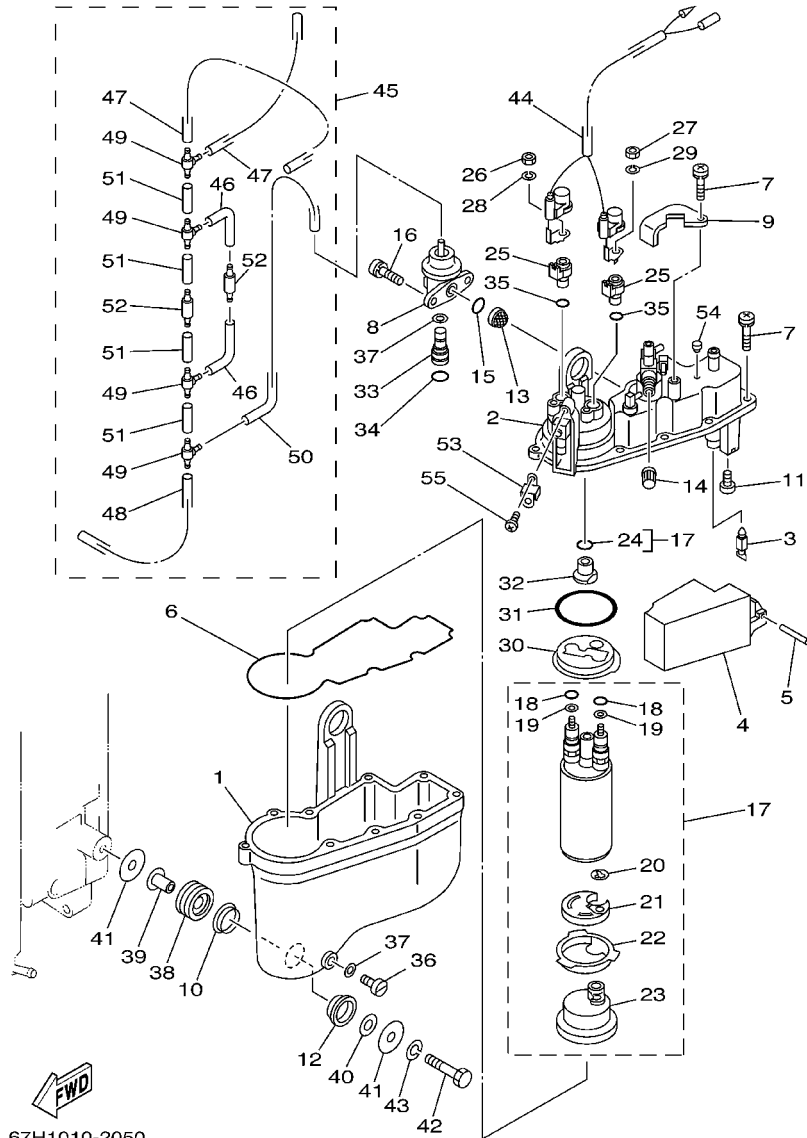


65J0010-0040

REF. NO.	PART NO. CODIGO NO.	DESCRIPTION DESCRIPTION	65J2	65L2	65K2	65M2	REMARKS OBSERVACION
1	62J-11111-01-1S	HEAD, CYLINDER 1 CULATA CILINDRO 1	2	2	2	2	
2	69L-11181-00	GASKET, CYLINDER HEAD 1 JUNTA, DE CULATA 1	2	2	2	2	
3	90119-08MA5	BOLT, WITH WASHER TORNILLO CON ARANDELA	3	3	3	3	
4	90119-08M99	BOLT, WITH WASHER TORNILLO CON ARANDELA	37	37	37	37	
5	61A-11191-00-1S	COVER, CYLINDER HEAD 1 TAPA CULATA DE CILINDRO 1	2	2	2	2	
6	61A-11193-A1	GASKET, HEAD COVER 1 EMPAQUE	2	2	2	2	
7	90119-06MA5	BOLT, WITH WASHER TORNILLO CON ARANDELA	12	12	12	12	
8	6J8-11325-00	ANODE ANODO	2	2	2	2	
9	6H3-11328-00	GROMMET, ANODE TAPON	2	2	2	2	
10	6H3-11327-00-1S	COVER, ANODE CUBIERTA	2	2	2	2	
11	97013-06016	BOLT PERNO	2	2	2	2	
12	92903-06600	WASHER, PLATE RONDANA SENCILLA	2	2	2	2	
13	61A-41113-00-1S	OUTER COVER, EXHAUST CUBOERTA EXTERIOR DE ESCAPE	1	1	1	1	
14	650-24378-00	.PIPE, JOINT 4 .TUBO DE UNION 4	1	1	1	1	
15	61A-41112-A0	GASKET, EXHAUST INNER COVER EMPAQUE	1	1	1	1	
16	90119-06MA3	BOLT, WITH WASHER TORNILLO CON ARANDELA	25	25	25	25	
17	90445-09M25	HOSE (L600) TUBO (L600)	1	1	1	1	
18	90467-08004	CLIP PRESILLA	2	2	2	2	
19	6G5-12416-00	VALVE, PRESSURE CONTROL VALVULA DE CONTROL DE PRESION	1	1	1	1	
20	90501-16M11	SPRING, COMPRESSION RESORTE DE COMPRESION	1	1	1	1	
21	90480-20M05	GROMMET TAPON	1	1	1	1	
22	6G5-11382-A1	GASKET 2 EMPAQUE 2	1	1	1	1	
23	6G5-11372-00-1S	COVER, BYPASS 2 CUBIERTA	1	1	1	1	
24	90119-06MA2	BOLT, WITH WASHER TORNILLO CON ARANDELA	2	2	2	2	
25	61A-12576-00	HOSE 1 MANGUERA 1	1	1	1	1	
26	90465-13M18	CLAMP BRIDA	2	2	2	2	
27	94702-00309	PLUG, SPARK (NGK BR9HS-10) BUJIA (NGK BR9HS-10)	6	6	6	6	

FIG. 5 FUEL INJECTION PUMP

BOMBA DE COMBUSTIBLE

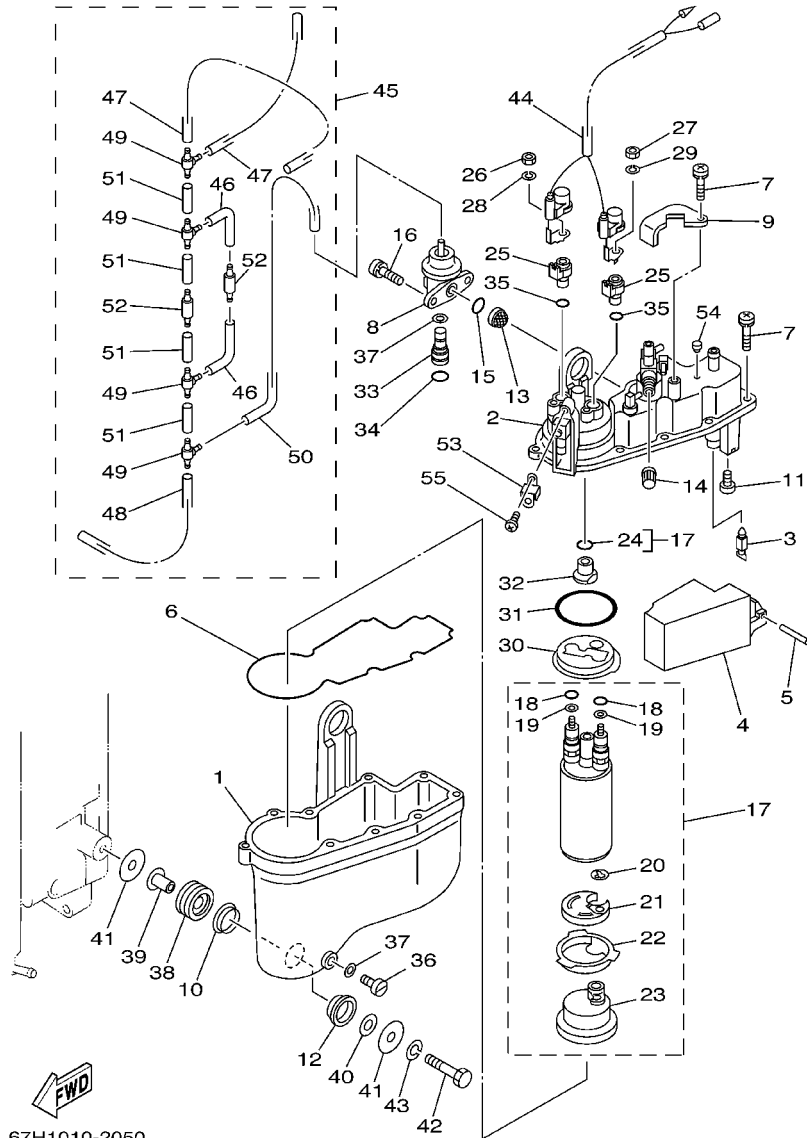


FWD
67H1010-2050

REF. NO.	PART NO. CODIGO NO.	DESCRIPTION DESCRIPTION	65J2	65L2	65K2	65M2	REMARKS OBSERVACION
1	66K-14980-00	BODY, FLOAT CHAMBER CUERPO CAMARA DE BOIA	1	1	1	1	
2	67H-14182-00	COVER, FLOAT CHAMBER TAPA DE CAMARA DE BOIA	1	1	1	1	
3	65L-14546-00	VALVE, NEEDLE VALVULA DE AGUJA	1	1	1	1	
4	66K-14985-00	FLOAT BOIA	1	1	1	1	
5	66K-14548-01	PIN, FLOAT ARM PASADOR DE BRAZO DE BOIA	1	1	1	1	
6	66K-14984-00	GASKET, FLOAT CHAMBER EMPAQUE CAMARA DE BOIA	1	1	1	1	
7	65L-14125-00	SCREW TORNILLO	10	10	10	10	
8	66K-13906-00	REGULATOR, PRESSURE REGULADOR	1	1	1	1	
9	66K-14255-00	PLATE PLACA	1	1	1	1	
10	66K-14239-00	SEAL SELLO	3	3	3	3	
11	66K-14325-01	SCREW, PAN HEAD TORNILLO CABEZA REDONDA	2	2	2	2	
12	66K-14163-00	SPACER ESPACIADOR	3	3	3	3	
13	65L-13905-00	FILTER COMP FILTRO COMPLETO	1	1	1	1	
14	65L-14966-00	CAP TAPA	1	1	1	1	
15	65L-24486-00	O-RING ANILLO O	1	1	1	1	
16	66K-14245-00	SCREW, GUIDE TORNILLO DE GUIA	2	2	2	2	
17	67H-13907-00	FUEL PUMP COMP. BOMBA DE COMBUSTIBLE COMPLETA	1	1	1	1	
18	65L-14227-00	.O-RING .ANILLO O	2	2	2	2	
19	65L-14194-00	.RING .ANILLO	2	2	2	2	
20	65L-14159-00	.CLIP .PRESILLA	1	1	1	1	
21	66K-13781-00	.DAMPER, PUMP .AMORTIGUADOR DE BOMBA	1	1	1	1	
22	66K-13844-00	.PLATE 2 .PLACA 2	1	1	1	1	
23	66K-13915-00	.FILTER .FILTRO	1	1	1	1	
24	65L-1416A-00	.O-RING .ANILLO O	1	1	1	1	
25	66K-14271-00	INSULATOR AISLANTE	2	2	2	2	
26	65L-8182A-00	NUT TUERCA	1	1	1	1	
27	65L-8182K-00	NUT TUERCA	1	1	1	1	

FIG. 5 FUEL INJECTION PUMP

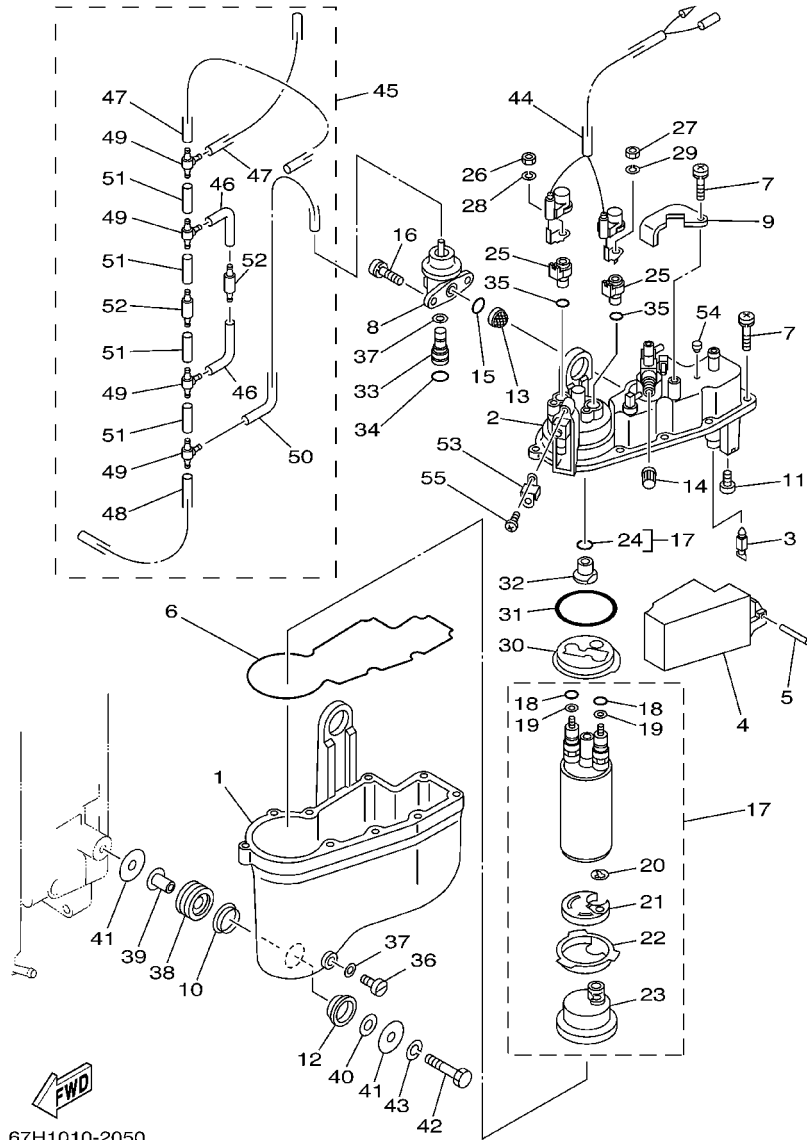
BOMBA DE COMBUSTIBLE



REF. NO.	PART NO. CODIGO NO.	DESCRIPTION DESCRIPTION	65J2	65L2	65K2	65M2	REMARKS OBSERVACION
28	65L-8182E-00	WASHER RONDANA	1	1	1	1	
29	65L-8182F-00	WASHER RONDANA	1	1	1	1	
30	66K-13843-00	PLATE 1 PLACA 1	1	1	1	1	
31	65L-14147-00	O-RING ANILLO O	1	1	1	1	
32	65L-14274-00	CONNECTOR CONECTOR	1	1	1	1	
33	66K-24376-00	PIPE, JOINT 1 TUBO DE UNION 1	1	1	1	1	
34	66K-24489-00	O-RING ANILLO O	1	1	1	1	
35	65L-14397-00	O-RING ANILLO O	3	3	3	3	
36	65L-14992-00	ROD VARILLA	1	1	1	1	
37	65L-14997-00	SEAL SELLO	2	2	2	2	
38	65L-24375-00	GROMMET ARANDELA DE REFUERZO	3	3	3	3	
39	65L-24397-00	COLLAR COLLAR	3	3	3	3	
40	65L-24576-00	WASHER ARANDELA	3	3	3	3	
41	66K-24579-00	WASHER 2 ARANDELA 2	6	6	6	6	
42	65L-24592-00	BOLT TORNILLO	3	3	3	3	
43	65L-24169-00	WASHER, LOCK ARANDELA DE CIERRE	3	3	3	3	
44	67H-82507-00	WIRE, LEAD CABLE CONDUCTOR	1	1	1	1	
45	67H-13490-00	RELIEF VALVE ASSY VALVELA DE DESCOMPRESION	1	1	1	1	
46	66K-13542-00	.HOSE, VACUUM SENSING 1 .MANGUERA, DE VACIO 1	2	2	2	2	
47	67H-13544-00	.HOSE, VACUUM SENSING 2 .MANGUERA, DE VACIO 2	2	2	2	2	
48	67H-13532-00	.HOSE, VACUUM SENSING 3 .MANGUERA, DE VACIO 3	1	1	1	1	
49	65L-24461-00	.PIPE, JOINT .TUBO DE UNION	4	4	4	4	
50	67H-13533-00	.HOSE, VACUUM SENSING 4 .MANGUERA, DE VACIO 4	1	1	1	1	
51	67H-13534-00	.HOSE, VACUUM SENSING 5 .MANGUERA, DE VACIO 5	4	4	4	4	
52	67H-13183-00	.VALVE, CHECK .VALVULA DE RETENTION	2	2	2	2	
53	66K-13898-00	HOLDER SOSTEN	1	1	1	1	
54	67H-14225-00	CAP TAPA	1	1	1	1	

FIG. 5 FUEL INJECTION PUMP

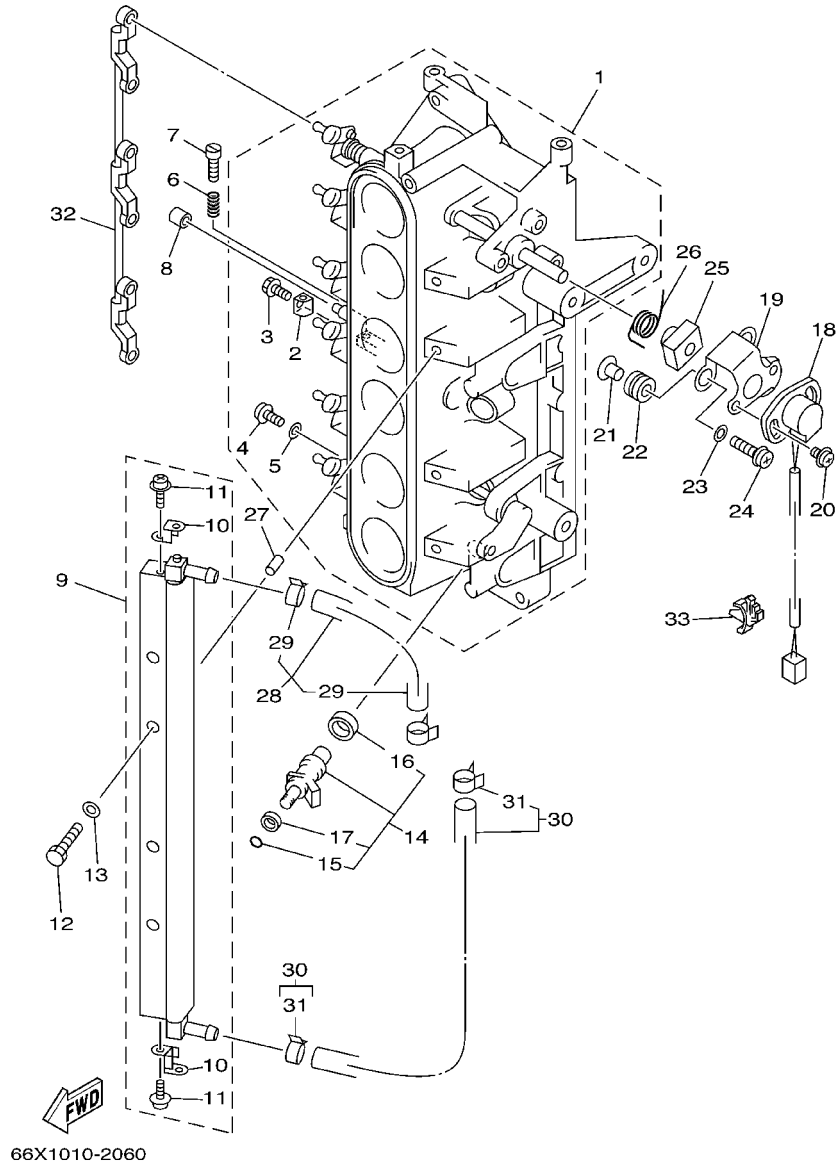
BOMBA DE COMBUSTIBLE



67H1010-2050

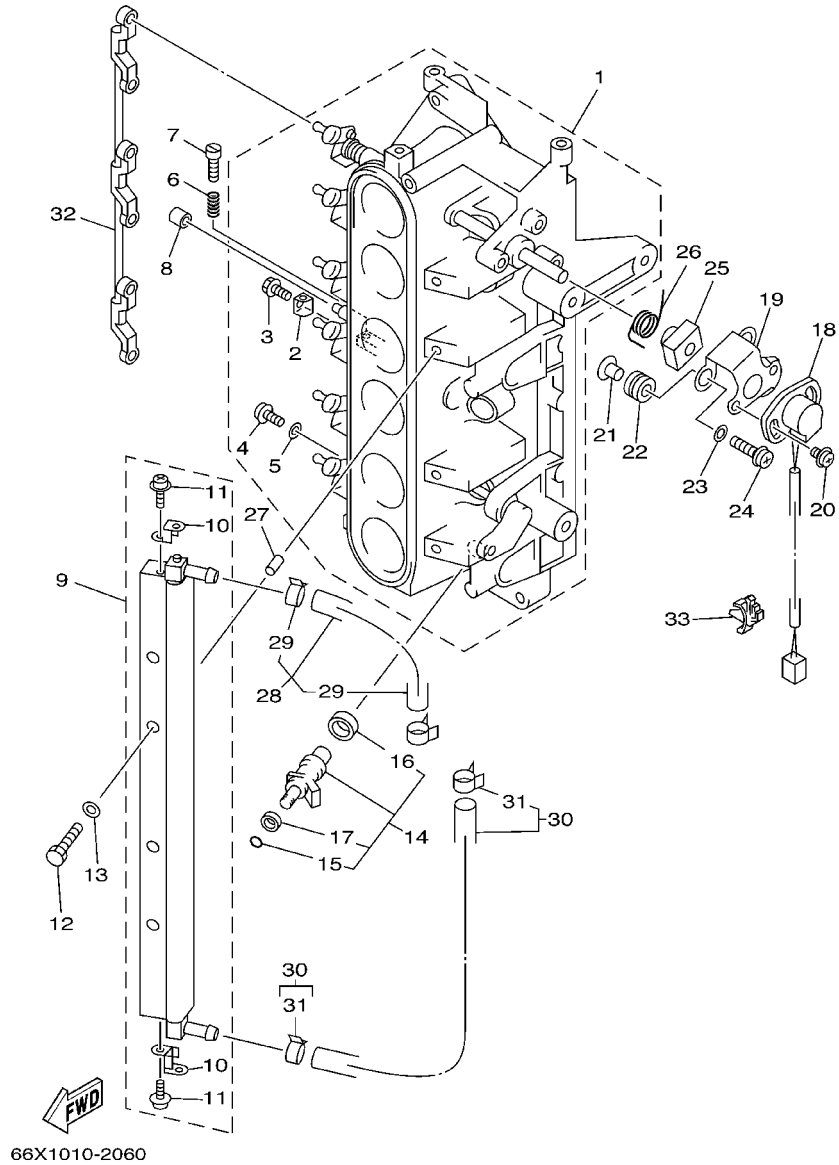
REF. NO.	PART NO. CODIGO NO.	DESCRIPTION DESCRIPTION	65J2	65L2	65K2	65M2	REMARKS OBSERVACION
55	65L-14565-00	SCREW TORNILLO	1	1	1	1	

FIG. 6 FUEL INJECTION NOZZLE INJECTOR DE COMBUSTIBLE



REF. NO.	PART NO. CODIGO NO.	DESCRIPTION DESCRIPTION	65J2	65L2	65K2	65M2	REMARKS OBSERVACION
1	67H-13751-00	BODY, THROTTLE 1 CAJA 1	1	1	1	1	
2	65L-14527-00	.PLATE .PLACA	1	1	1	1	
3	65L-14565-00	.SCREW .TORNILLO	1	1	1	1	
4	6K5-14592-00	.SCREW .TORNILLO	6	6	6	6	
5	90201-05552	.WASHER, PLATE .ARANDELA PLANA	6	6	6	6	
6	65L-14334-00	SPRING, AIR ADJUSTING RESORTE DE AJUSTADOR DE AIRE	1	1	1	1	
7	65L-14523-00	SCREW, STOP TORNILLO DE TOPE	1	1	1	1	
8	65L-14578-00	COLLAR COLLAR	1	1	1	1	
9	67H-13938-00	PIPE TUBO DE ADMISION	1	1	1	1	
10	67H-13898-00	.HOLDER .SOSTEN	2	2	2	2	
11	65L-14565-00	.SCREW .TORNILLO	2	2	2	2	
12	65L-13573-00	BOLT 1 PERNO 1	4	4	4	4	
13	65L-13995-00	WASHER EMPAQUE	4	4	4	4	
14	65L-13761-00	INJECTOR ASSY INYECTOR	6	6	6	6	
15	65L-13769-00	.O-RING .ANILLO O	1	1	1	1	
16	65L-13764-00	.GASKET .EMPAQUE	1	1	1	1	
17	65L-13766-00	.RUBBER, INJECTOR .ANILLO PROTECTOR	1	1	1	1	
18	61A-85885-00	THROTTLE SENSOR ASSY TERMICA SENSORIO	1	1	1	1	
19	6K7-85886-00	BRACKET SOPORTE	1	1	1	1	
20	97985-05212	SCREW, WITH WASHER TORNILLO, CON ARANDELA	2	2	2	2	
21	90387-05M00	COLLAR COLLAR	3	3	3	3	
22	90480-10M23	GROMMET TAPON	3	3	3	3	
23	65L-14596-00	WASHER ARANDELA	3	3	3	3	
24	97985-05330	SCREW, WITH WASHER TORNILLO, CON ARANDELA	3	3	3	3	
25	65L-14573-00	LEVER PALANCA	1	1	1	1	
26	65L-14579-00	SPRING RESORTE	1	1	1	1	
27	65L-13996-00	INSERT CARTUCHO	2	2	2	2	

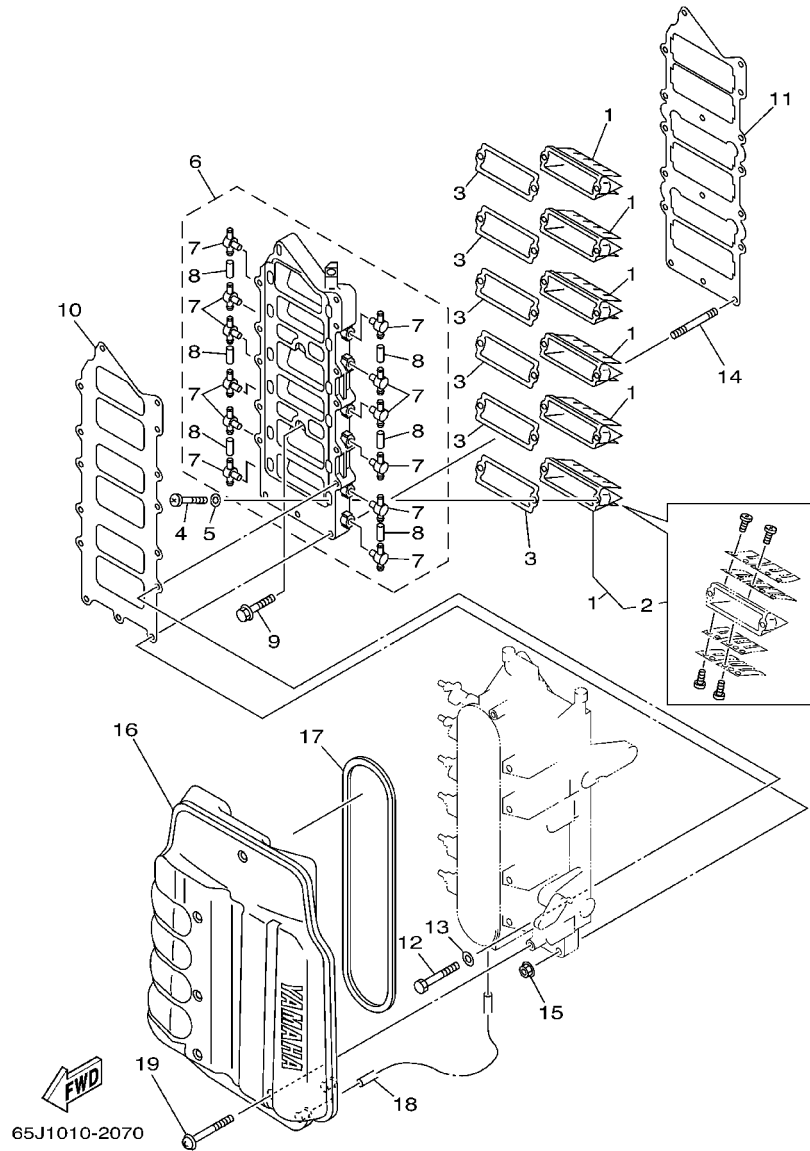
FIG. 6 FUEL INJECTION NOZZLE INJECTOR DE COMBUSTIBLE



REF. NO.	PART NO. CODIGO NO.	DESCRIPTION DESCRIPTION	65J2	65L2	65K2	65M2	REMARKS OBSERVACION
28	66K-13971-00	PIPE, FUEL 1 ANILLO DE ESPACIADOR	1	1	1	1	
29	65L-24387-00	.CLIP .MORDAZA	2	2	2	2	
30	67H-13972-00	PIPE, FUEL 2 TUBO, COMBUSTIBLE 2	1	1	1	1	
31	65L-24387-00	.CLIP .MORDAZA	2	2	2	2	
32	65L-41217-00	ROD, ACCEL. LEVER VARILLA, PALANCA ACELERADOR	1	1	1	1	
33	90464-04M12	CLAMP BRIDA	1	1	1	1	

FIG. 7 INTAKE

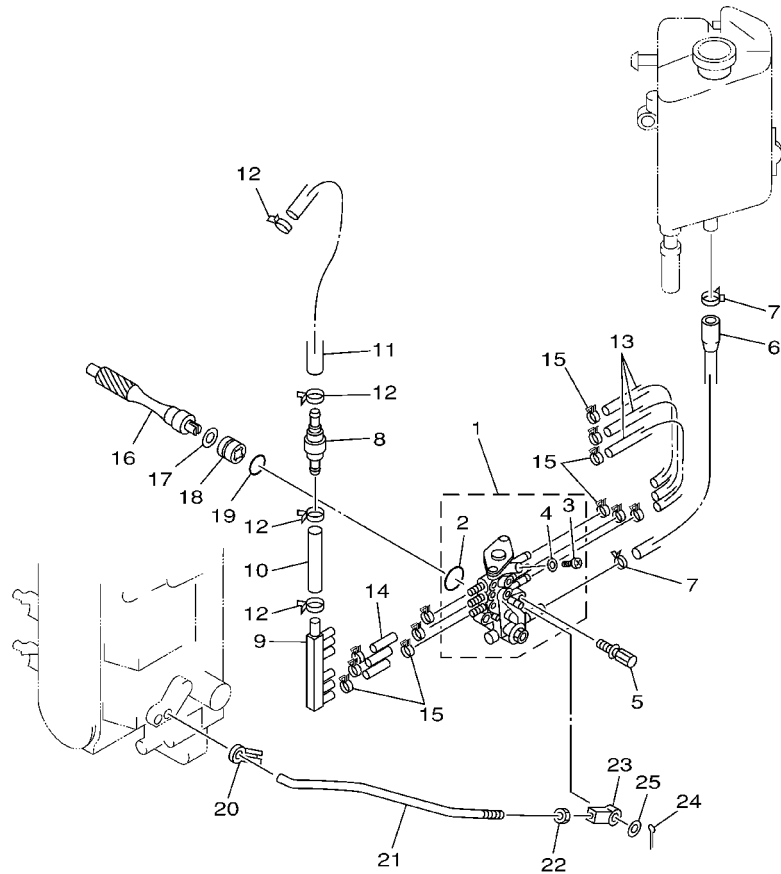
ADMISION



REF. NO.	PART NO. CODIGO NO.	DESCRIPTION DESCRIPTION	65J2	65L2	65K2	65M2	REMARKS OBSERVACION
1	65J-13610-01	REED VALVE ASSY VALVULA DE LAMINAS COMPLETA	6		6		
	65L-13610-01	REED VALVE ASSY VALVULA DE LAMINAS COMPLETA		6		6	
2	65J-W0004-01	.REED SET .JUEGO DE VALVULAS DE LENGUETA	1	1	1	1	
3	61A-13621-A0	GASKET, VALVE SEAT JUNTA, DE VALV.DE EMPAQUE	6	6	6	6	
4	97880-05016	SCREW, PAN HEAD TORNILLO DE CABEZA CON PLANA	12	12	12	12	
5	92990-05600	WASHER, PLATE ARANDELA PLANA	12	12	12	12	
6	65L-13624-01-1S	PLATE, REED VALVE PLACA DE VALVULA DE LAMINAS	1	1	1	1	
7	6F6-11372-00	.NIPPLE, HOSE .NIPLE DE MANGUERA	12	12	12	12	
8	90445-07M03	.HOSE (L34) .TUBO (L34)	6	6	6	6	
9	90105-06028	BOLT, FLANGE TORNILLO	2	2	2	2	
10	65L-13646-00	GASKET, MANIFOLD 2 EMPAQ. DE MULTIPLE 2	1	1	1	1	
11	65L-13645-00	GASKET, MANIFOLD 1 EMPAQUE	1	1	1	1	
12	97013-06060	BOLT PERNO	12	12	12	12	
13	92903-06600	WASHER, PLATE RONDANA SENCILLA	12	12	12	12	
14	95670-06655	BOLT, STUD TORNILLO PRISIONERO	2	2	2	2	
15	90179-06M24	NUT TUERCA	2	2	2	2	
16	65L-14440-00	SILENCER ASSY, INTAKE SILENCIADOR COMPL DE ADMISION	1	1	1	1	
17	65L-14483-00	GASKET EMPAQUE	1	1	1	1	
18	90445-07M44	HOSE (L250) TUBO (L250)	1	1	1	1	
19	90159-06M16	SCREW, WITH WASHER TORNILLO CON VALONA	6	6	6	6	

FIG. 8 OIL PUMP

BOMBA DE ACEITE



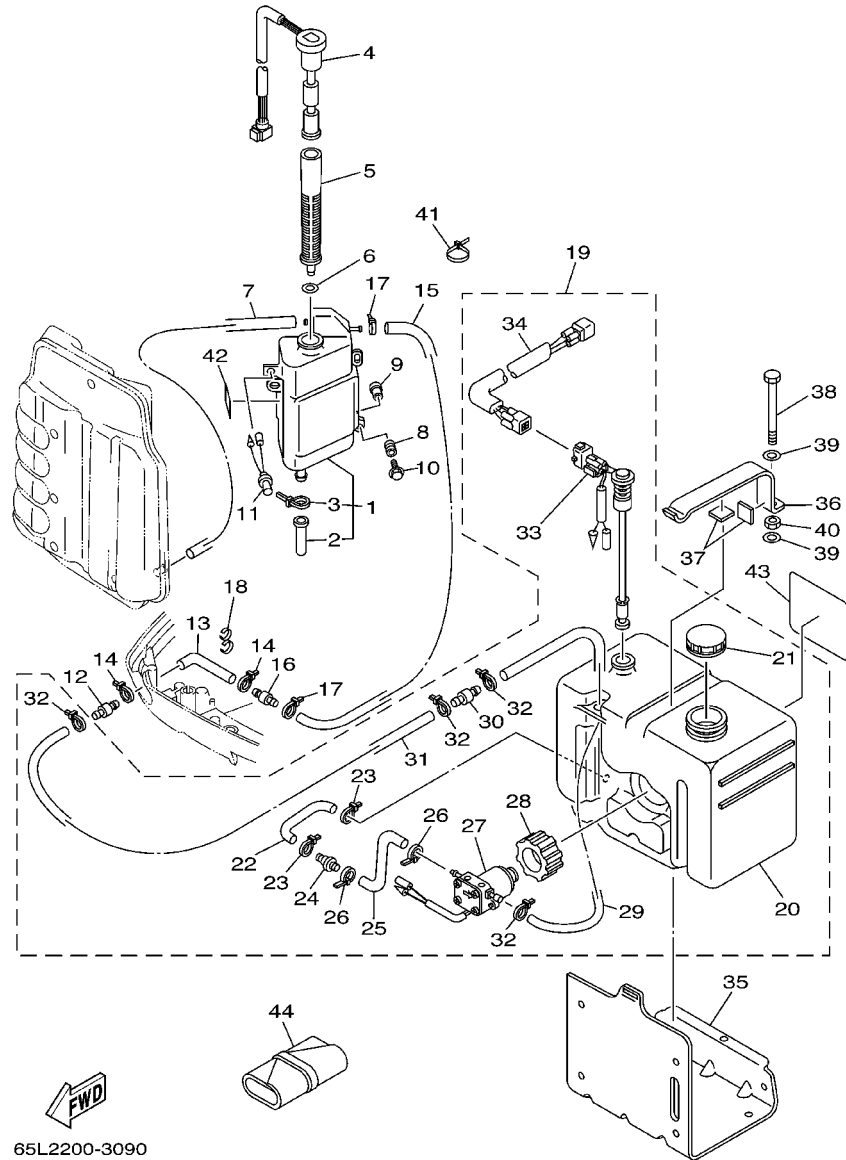
REF. NO.	PART NO. CODIGO NO.	DESCRIPTION DESCRIPTION	65J2	65L2	65K2	65M2	REMARKS OBSERVACION
1	65L-13200-00	OIL INJECTION PUMP ASSY BOMBA DE ACEITE COMPLETA	1	1	1	1	
2	93210-19M82	.O-RING .JUNTA TORICA	1	1	1	1	
3	6R3-13471-00	.PLUG, DRAIN .TAPON DE LLAVE DE VACIADO	1	1	1	1	
4	6L2-13475-00	.GASKET .EMPAQUE	1	1	1	1	
5	90109-06M40	BOLT PERNO	2	2	2	2	
6	61A-13416-00	PIPE, OIL 1 TUBO DE ACEITE 1	1	1	1	1	
7	90465-11M10	CLAMP BRIDA	2	2	2	2	
8	65L-13183-00	VALVE, CHECK VALVULA DE RETENTION	1	1	1	1	
9	65L-24378-00	PIPE, JOINT 4 TUBO DE UNION 4	1	1	1	1	
10	90445-09220	HOSE TUBO	1	1	1	1	
11	90446-09M69	HOSE TUBO RESEIRADERO	1	1	1	1	
12	90465-11M10	CLAMP BRIDA	4	4	4	4	
13	90445-07M02	HOSE (L167) TUBO (L167)	3	3	3	3	
14	90445-07M03	HOSE (L34) TUBO (L34)	3	3	3	3	
15	90468-07M02	CLIP PRESILLA	12	12	12	12	
16	61A-11537-00	GEAR, DRIVEN ENGRANAJE TRACCION	1	1	1	1	
17	90201-09M01	WASHER, PLATE ARANDELA PLANA	1	1	1	1	
18	61A-13117-00	COLLAR, DISTANCE COLLAR, DISTANCIA	1	1	1	1	
19	93210-18MA9	O-RING JUNTA TORICA	1	1	1	1	
20	6R5-41237-00	JOINT, LINK CONECTOR	1	1	1	1	
21	65L-41241-00	ROD, LINK VARILLA	1	1	1	1	
22	95380-05600	NUT TUERCA	1	1	1	1	
23	6H1-41237-00	JOINT, LINK CONECTOR	1	1	1	1	
24	91490-12012	PIN, COTTER CHAVETA	1	1	1	1	
25	90202-05088	WASHER, PLATE ARANDELA DE PLANA	1	1	1	1	



65J0010-7080

FIG. 9 OIL TANK

COMPONER Y PODER VARILLA

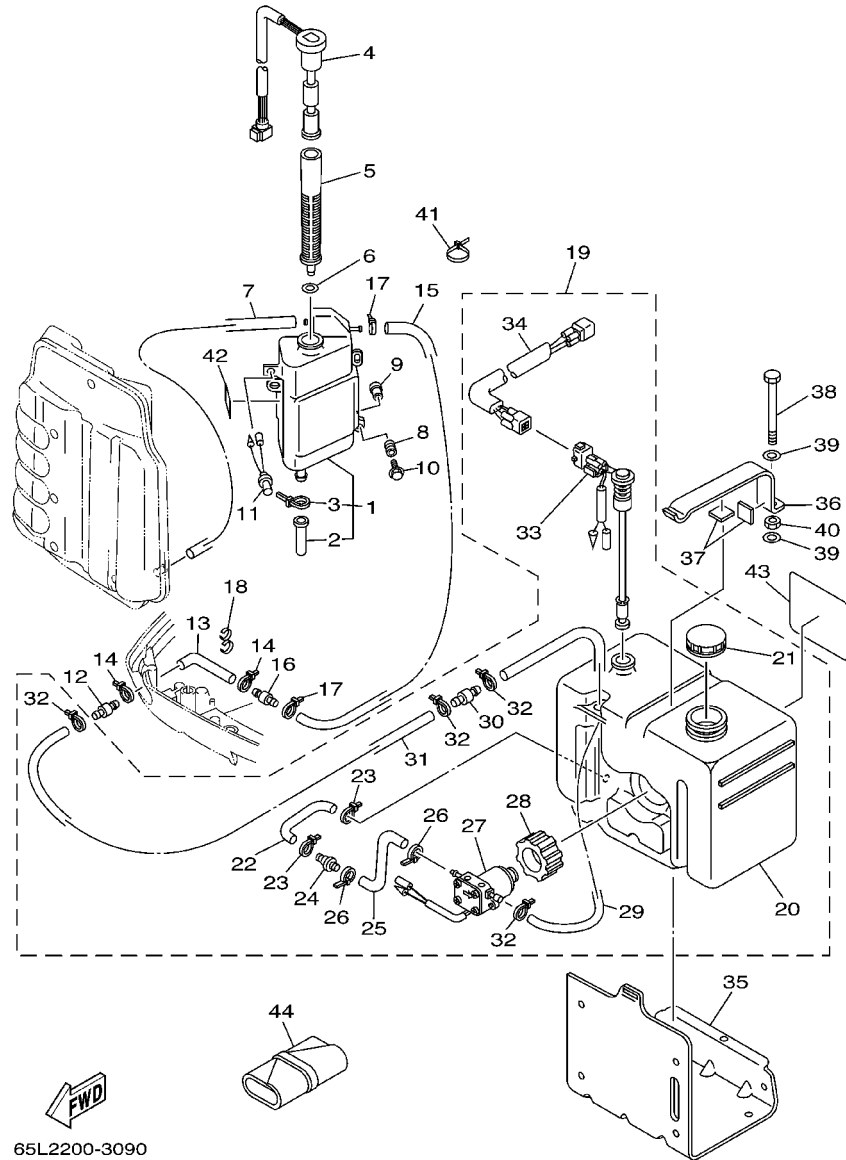


65L2200-3090

REF. NO.	PART NO. CODIGO NO.	DESCRIPTION DESCRIPTION	65J2	65L2	65K2	65M2	REMARKS OBSERVACION
1	61A-21750-00	OIL TANK ASSY DEPOSITO DE ACEITE COMPLETO	1	1	1	1	
2	6E5-13448-00	.CAP .TAPA	1	1	1	1	
3	90465-13M11	.CLAMP .BRIDA	1	1	1	1	
4	61A-85730-01	OIL LEVEL GAUGE ASSY ACEITE	1	1	1	1	
5	61A-13411-00	STRAINER, OIL FILTRO DE ACEITE	1	1	1	1	
6	6E5-13414-00	GASKET, STRAINER COVER EMPAQUE DE TAPA FILTRO	1	1	1	1	
7	90445-05M07	HOSE (L700) TUBO (L700)	1	1	1	1	
8	6A0-82317-00	DAMPER, IGNITION COIL AMORTIGUADOR BOBINA ENCENDIDO	3	3	3	3	
9	624-42542-00	PIPE TUBO	3	3	3	3	
10	90119-06M65	BOLT, WITH WASHER TORNILLO CON ARANDELA	3	3	3	3	
11	6R3-8259E-00	SWITCH ASSY INTERRUPTOR	1	1	1	1	
12	6E5-24379-00	PIPE, JOINT 4 TUBO DE UNION 4	1	1	1	1	
13	90445-12M04	HOSE (L1900) MANGUERA (L1900)	1	1	1	1	
14	90465-11M10	CLAMP BRIDA	2	2	2	2	
15	6E5-24323-00	PIPE 12 TUBO 12	1	1	1	1	
16	6E5-24379-00	PIPE, JOINT 4 TUBO DE UNION 4	1	1	1	1	
17	90465-11M10	CLAMP BRIDA	2	2	2	2	
18	90464-13M34	CLAMP BRIDA	1	1	1	1	
19	61A-21708-20	SUB OIL TANK ASSY DEPOSITO DE ACEITE COMPLETO	1	1	1	1	
20	6E5-21733-20	.SUB TANK, OIL (10.5L) .SUB DEPOSITO DE ACEITE (10.5L)	1	1	1	1	
21	6E5-21770-03	.OIL TANK CAP ASSY .TAPA DE DEPOSITO DE ACEITE	1	1	1	1	
22	6E5-24322-00	.PIPE 11 .TUBO 11	1	1	1	1	
23	90465-11M10	.CLAMP .BRIDA	2	2	2	2	
24	646-24251-02	.STRAINER 1 .COLADOR 1	1	1	1	1	
25	6E5-24319-01	.PIPE, OIL .TUBO DE ACEITE	1	1	1	1	
26	90465-11M10	.CLAMP .BRIDA	2	2	2	2	
27	6E5-81900-01	.OIL FEED PUMP ASSY .ACEITE	1	1	1	1	

FIG. 9 OIL TANK

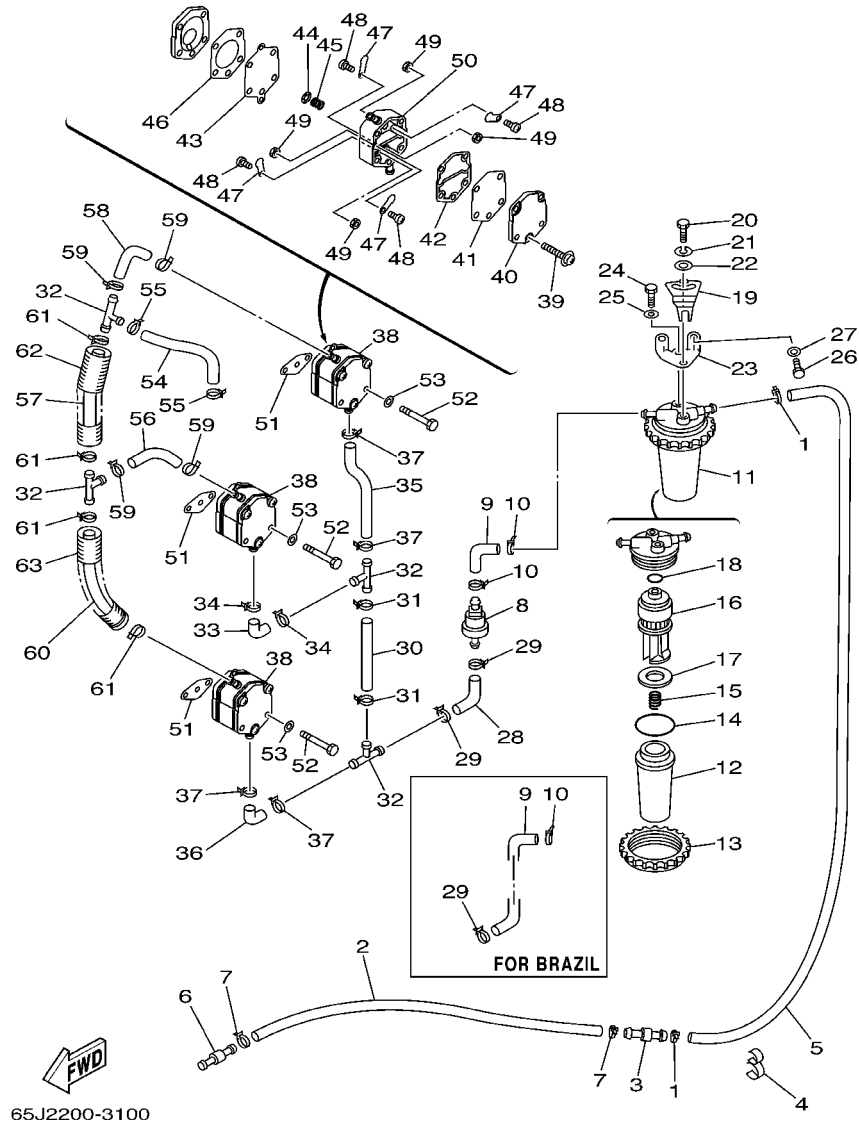
COMPONER Y PODER VARILLA



REF. NO.	PART NO. CODIGO NO.	DESCRIPTION DESCRIPTION	65J2	65L2	65K2	65M2	REMARKS OBSERVACION
28	6E5-81922-00	.GROMMET .TAPON PROTECTOR	1	1	1	1	
29	6E5-24321-01	.PIPE 10 .TUBO 10	1	1	1	1	
30	6E5-24379-00	.PIPE, JOINT 4 .TUBO DE UNION 4	1	1	1	1	
31	90445-11M26	.HOSE (L6500) .TUBO (L6500)	1	1	1	1	
32	90465-11M10	.CLAMP .BRIDA	4	4	4	4	
33	6E5-85720-04	.OIL LEVEL GAUGE ASSY .MEDIDOR DE NIVEL DE ACEITE	1	1	1	1	
34	6R3-85721-80	.WIRE, LEAD (8M) .CABLE CONDUCTOR (8M)	1	1	1	1	
35	6E5-21734-01-33	HOLDER, OIL SUB TANK SOSTEN SUBDEP.DE ACEITE	1	1	1	1	
36	6E5-21798-01-33	BRACKET, DAMPER SOPORTE DE AMORTIGUADOR	1	1	1	1	
37	6E5-21746-00	DAMPER AMORTIGUADOR	2	2	2	2	
38	97080-06100	BOLT PERNO	1	1	1	1	
39	92990-06600	WASHER, PLATE ARANDELA PLANA	2	2	2	2	
40	95380-06600	NUT, HEXAGON TUERCA	1	1	1	1	
41	90465-13M11	CLAMP BRIDA	2	2	2	2	
42	6E5-85711-40	MARK, CAUTION MARKER	1	1	1	1	
43	6E5-13437-62	MARK, CAUTION MARKER	1	1	1	1	
44	656-W2810-02	TOOL KIT JUEGO DE HERRAMIENTAS	1	1	1	1	

FIG. 10 FUEL 1

COMBUSTIBLE 1

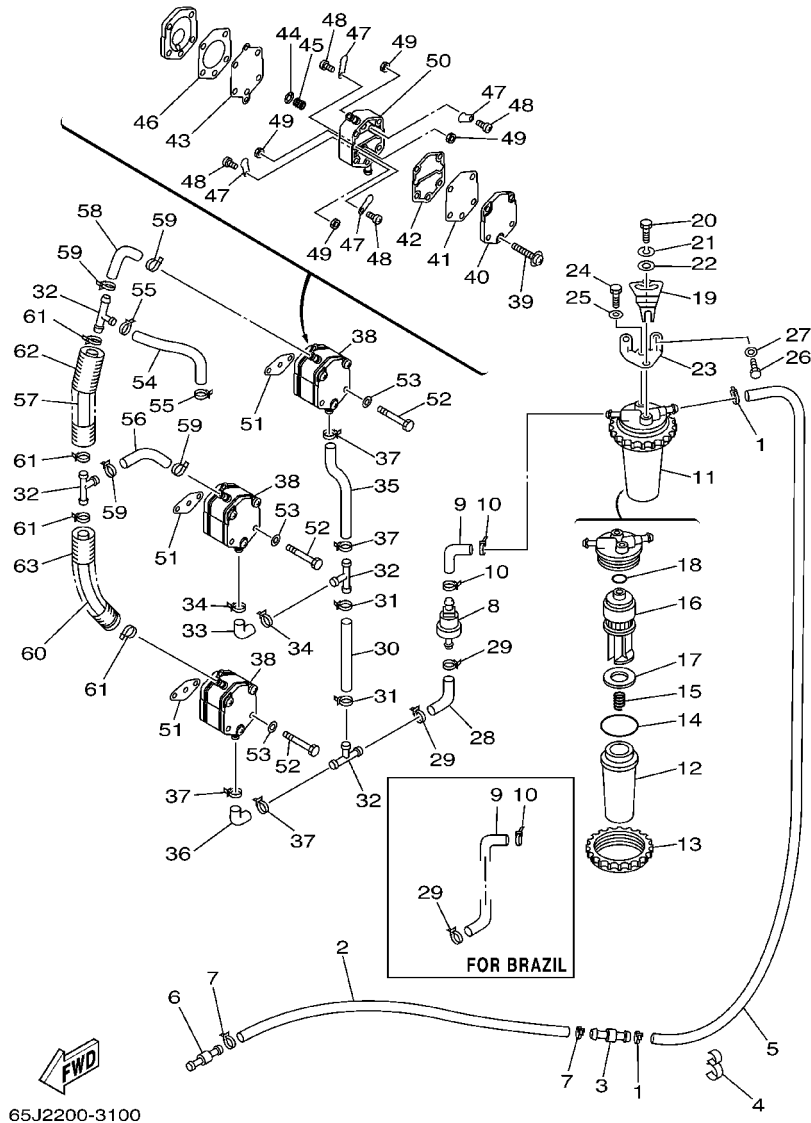


65J2200-3100

REF. NO.	PART NO. CODIGO NO.	DESCRIPTION DESCRIPTION	65J2	65L2	65K2	65M2	REMARKS OBSERVACION
1	90465-11M10	CLAMP BRIDA	2	2	2	2	
2	90445-13M17	HOSE (L2700) MANGUERA (L2700)	1	1	1	1	
3	6R3-24377-00	PIPE, JOINT 3 TUBO DE UNION 3	1	1	1	1	
4	90464-13M34	CLAMP BRIDA	2	2	2	2	
5	61A-24313-00	PIPE 3 TUBO 3	1	1	1	1	
6	6R3-24377-00	PIPE, JOINT 3 TUBO DE UNION 3	1	1	1	1	
7	90465-11M10	CLAMP BRIDA	2	2	2	2	
8	6R5-24408-00	FUEL FEED ASSY ALIMENTADOR COMBUST. COMPL.	1	1	1	1	EXCEPT BRAZIL
9	61A-24311-00	PIPE, FUEL 1 TUBO DE COMBUSTIBLE 1	1	1	1	1	EXCEPT BRAZIL
	68F-24311-00	PIPE, FUEL 1 TUBO DE COMBUSTIBLE 1		1		1	FOR BRAZIL
10	90465-11M10	CLAMP BRIDA	2	2	2	2	EXCEPT BRAZIL
	90465-11M10	CLAMP BRIDA		1		1	FOR BRAZIL
11	65L-24560-00	FILTER ASSY FILTRO COMPLETO	1	1	1	1	
12	61A-24521-00	.CUP, FILTER .COPA DE FILTRO	1	1	1	1	
13	65L-24531-01	.NUT .TUERCA	1	1	1	1	
14	61A-24564-00	.O-RING .ANILLO O	1	1	1	1	
15	65L-24577-00	.SPRING .RESORTE	1	1	1	1	
16	65L-24563-00	.ELEMENT, FILTER ELEMENTO DEL FILTRO	1	1	1	1	
17	61A-24469-00	.FLOAT, WATER LEVEL .BOIA	1	1	1	1	
18	65L-24564-00	.O-RING .ANILLO O	1	1	1	1	
19	65L-24558-00	HOLDER, FILTER SOPORTE DE FILTRO	1	1	1	1	
20	97095-06016	BOLT PERNO	1	1	1	1	
21	92995-06100	WASHER, SPRING ARANDELA	1	1	1	1	
22	90201-06068	WASHER, PLATE ARANDELA PLANA	1	1	1	1	
23	61A-24566-00	BRACKET, FILTER SOPORTE DEL FILTRO	1	1	1	1	
24	97095-06014	BOLT PERNO	1	1	1	1	
25	92995-06600	WASHER ARANDELA	1	1	1	1	

FIG. 10 FUEL 1

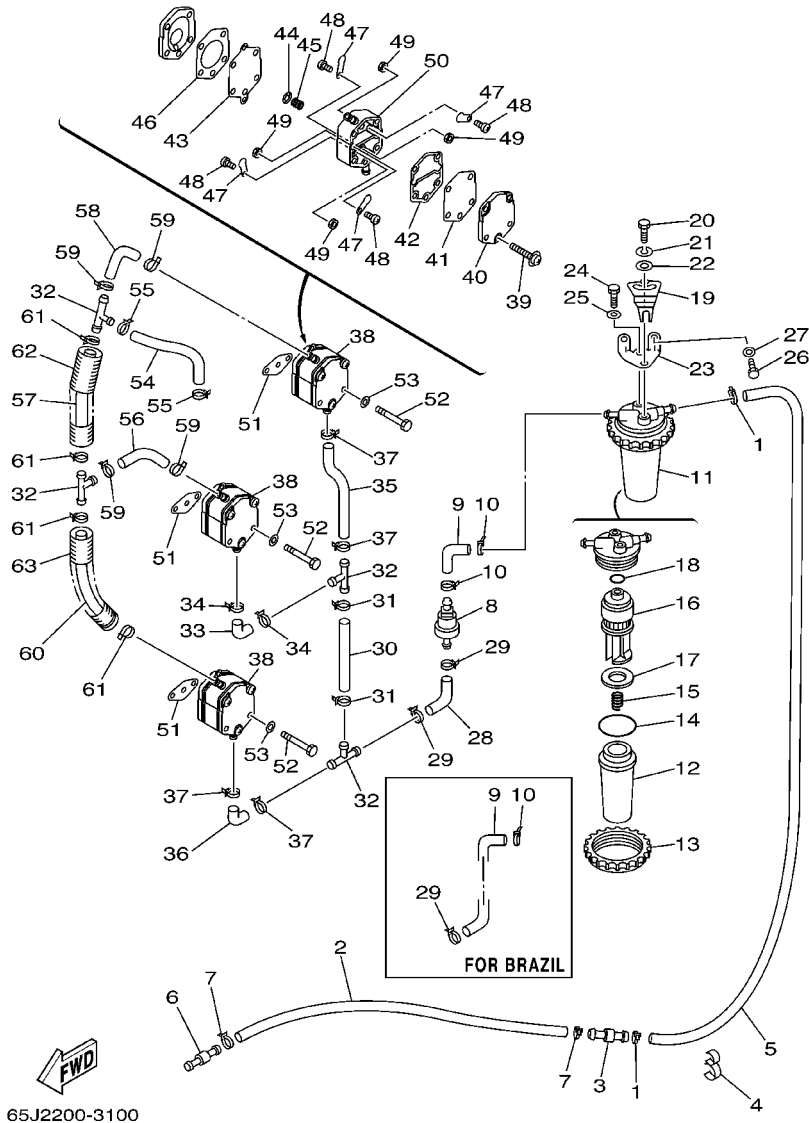
COMBUSTIBLE 1



REF. NO.	PART NO. CODIGO NO.	DESCRIPTION DESCRIPTION	65J2	65L2	65K2	65M2	REMARKS OBSERVACION
26	97095-06016	BOLT PERNO	2	2	2	2	
27	92995-06600	WASHER ARANDELA	2	2	2	2	
28	61A-24311-00	PIPE, FUEL 1 TUBO DE COMBUSTIBLE 1	1	1	1	1	EXCEPT BRAZIL
29	90465-11M10	CLAMP BRIDA	2	2	2	2	EXCEPT BRAZIL
	90465-11M10	CLAMP BRIDA		1	1	1	FOR BRAZIL
30	6G5-24317-01	PIPE 7 TUBO 7	1	1	1	1	
31	90465-11M10	CLAMP BRIDA	2	2	2	2	
32	6E5-24378-00	PIPE, JOINT 3 TUBO DE UNION 3	4	4	4	4	
33	6E5-24315-00	PIPE 5 TUBO DE DESAGUE	1	1	1	1	
34	90465-11M10	CLAMP BRIDA	2	2	2	2	
35	6G5-24315-00	PIPE 5 TUBO DE DESAGUE	1	1	1	1	
36	6E5-24315-00	PIPE 5 TUBO DE DESAGUE	1	1	1	1	
37	90465-11M10	CLAMP BRIDA	4	4	4	4	
38	6E5-24410-03	FUEL PUMP ASSY BOMBA DE COMBUSTIBLE COMPLETA	3	3	3	3	
39	6E5-24444-00	.SCREW .TORNILLO	3	3	3	3	
40	6E5-24413-00	.BODY 2 .CUERPO 2	1	1	1	1	
41	6E5-24471-00	.DIAPHRAGM .DIAFRAGMA	1	1	1	1	
42	6E5-24435-00	.GASKET, BODY 2 .EMPAQUE	1	1	1	1	
43	6E5-24411-00	.DIAPHRAGM .DIAFRAGMA	1	1	1	1	
44	648-24424-00	.SEAT, SPRING .PLACA DE RESORTE	1	1	1	1	
45	6E5-24423-00	.SPRING, DIAPHRAGM .RESORTE DE DIAFRAGMA	1	1	1	1	
46	6E5-24434-02	.GASKET, BODY .EMPAQUE	1	1	1	1	
47	6A0-24421-01	.VALVE, CHECK .VALVULA DE RETENCION	4	4	4	4	
48	6A0-14325-00	.SCREW, PAN HEAD .TORNILLO CABEZA REDONDA	4	4	4	4	
49	95380-03600	.NUT .TUERCA	4	4	4	4	
50	6E5-24412-10	.BODY 1 .CUERPO 1	1	1	1	1	
51	650-24431-A0	GASKET, FUEL PUMP 1 EMPAQUE BOMBA COMBUST 1	3	3	3	3	

FIG. 10 FUEL 1

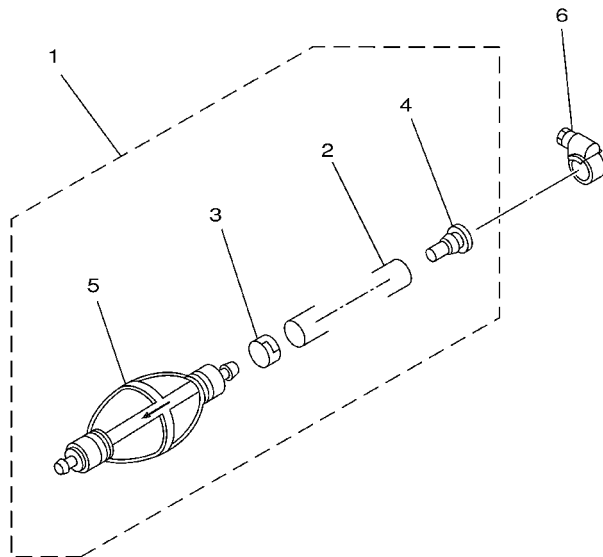
COMBUSTIBLE 1



REF. NO.	PART NO. CODIGO NO.	DESCRIPTION DESCRIPTION	65J2	65L2	65K2	65M2	REMARKS OBSERVACION
52	97095-06050	BOLT PERNO	6	6	6	6	
53	92995-06600	WASHER ARANDELA	6	6	6	6	
54	65L-24311-00	PIPE, FUEL 1 TUBO DE COMBUSTIBLE 1	1	1	1	1	
55	90465-11M10	CLAMP BRIDA	2	2	2	2	
56	6G5-24316-10	PIPE 6 TUBO 6	1	1	1	1	
57	90445-13M14	HOSE (L70) TUBO (L70)	1	1	1	1	
58	61A-24311-00	PIPE, FUEL 1 TUBO DE COMBUSTIBLE 1	1	1	1	1	
59	90465-11M10	CLAMP BRIDA	4	4	4	4	
60	6E5-24313-00	PIPE 3 TUBO 3	1	1	1	1	
61	90465-11M10	CLAMP BRIDA	4	4	4	4	
62	6E9-83557-70	TUBE ENCHUFE DE ACEITE	1	1	1	1	
63	65L-83557-00	TUBE ENCHUFE DE ACEITE	1	1	1	1	

FIG. 11 FUEL 2

COMBUSTIBLE 2

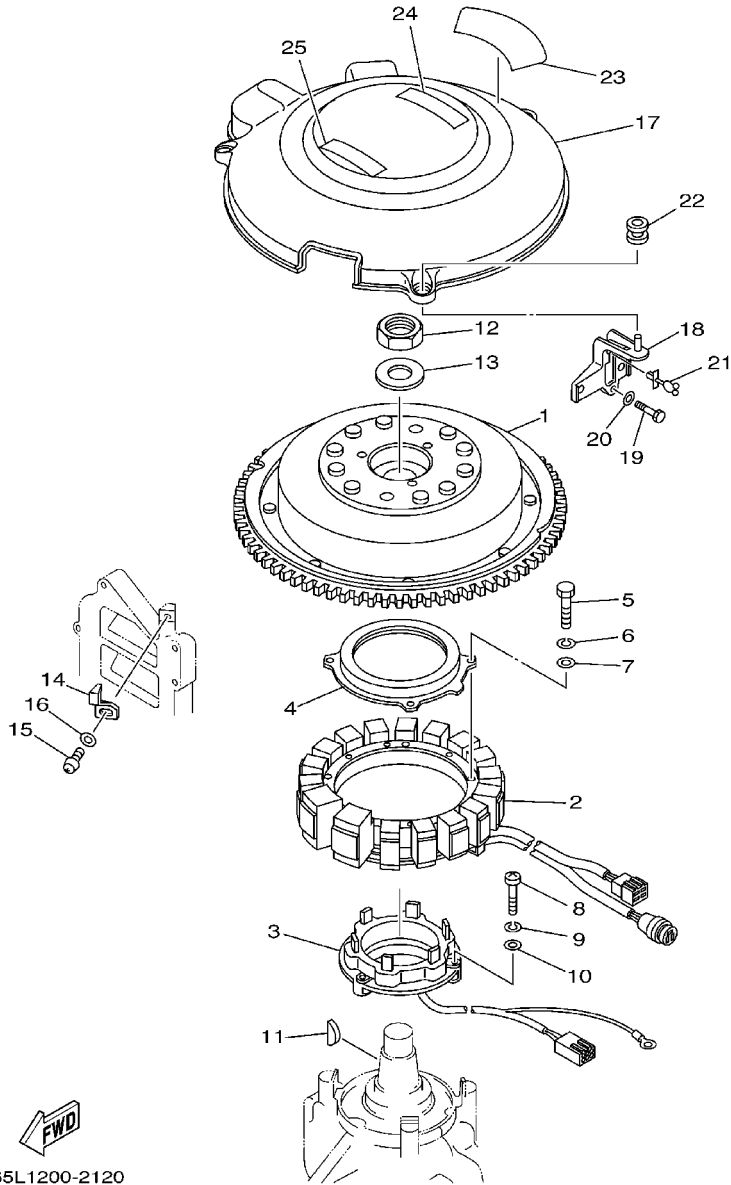


REF. NO.	PART NO. CODIGO NO.	DESCRIPTION DESCRIPTION	65J2	65L2	65K2	65M2	REMARKS OBSERVACION
1	6Y2-24307-41	FUEL PIPE COMP. 2 MANGUERA COMPL, COMBUSTIBLE 2		1	1	1	AP "65L2"-FOR BRAZIL
2	90445-13M01	.HOSE (L2050) .MANGUERA (L2050)		1	1	1	
3	6E5-24351-51	.BAND 1 .ABRAZADERA 1		1	1	1	
4	90480-06M19	.GROMMET .TAPON		1	1	1	
5	6Y2-24360-52	.PRIMER PUMP ASSY .SOPORTE BOMBA		1	1	1	
6	90450-10M07	HOSE CLAMP ASSY BRIDA, MANGUERA		1	1	1	AP "65L2"-FOR BRAZIL


61A0200-0110

FIG. 12 GENERATOR

GENERADOR

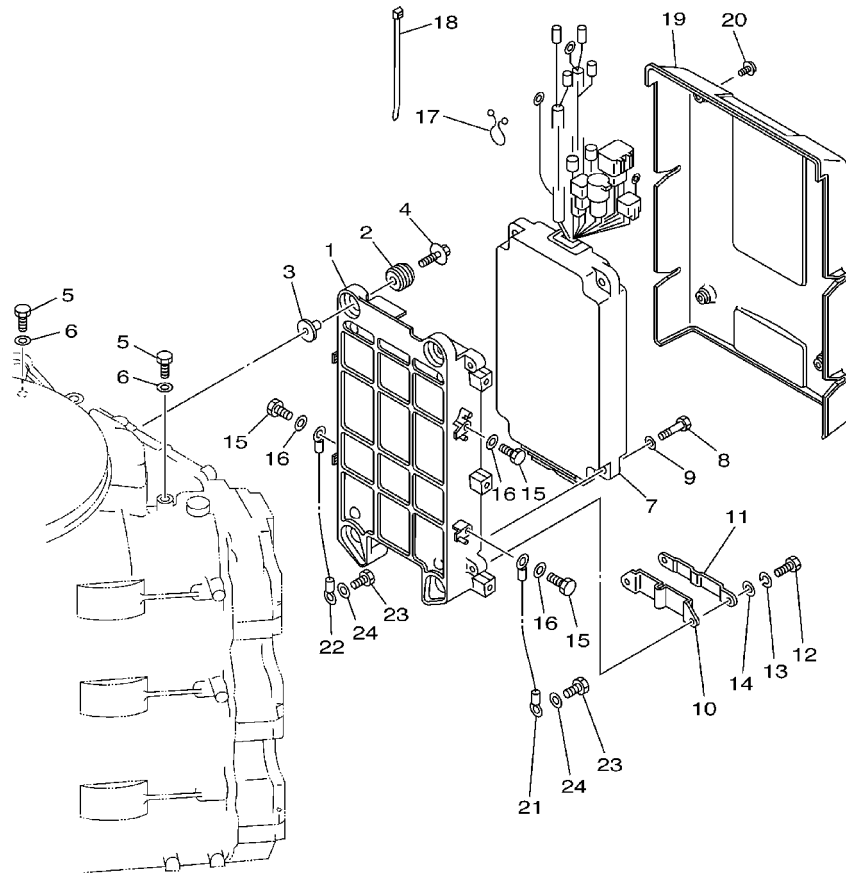



65L1200-2120

REF. NO.	PART NO. CODIGO NO.	DESCRIPTION DESCRIPTION	65J2	65L2	65K2	65M2	REMARKS OBSERVACION
1	61A-85550-01	ROTOR ASSY ROTOR COMPLETO	1	1	1	1	
2	65L-85510-10	STATOR ASSY ESTATOR COMPLET	1	1	1	1	
3	61A-85580-01	COIL, PULSER BOBINA DE PULSACION	1	1	1	1	
4	61A-83721-00	COVER CUBIERTA	1	1	1	1	
5	97013-06035	BOLT PERNO	4	4	4	4	
6	92903-06100	WASHER, SPRING RONDANA SENCILLA	4	4	4	4	
7	92903-06600	WASHER, PLATE RONDANA SENCILLA	4	4	4	4	
8	97885-05030	SCREW, PAN HEAD TORNILLO A MUESCA	3	3	3	3	
9	92995-05100	WASHER ARANDELA	3	3	3	3	
10	92995-05600	WASHER ARANDELA	3	3	3	3	
11	90280-05015	KEY, WOODRUFF CUNA WOODRUFF	1	1	1	1	
12	90170-24M22	NUT TUERCA	1	1	1	1	
13	90201-25M02	WASHER, PLATE ARANDELA PLANA	1	1	1	1	
14	6E5-81332-00	PLATE, TIMING PLACA REGULADOR DE TIEMPO	1	1	1	1	
15	97885-06010	SCREW, PAN HEAD TORNILLO A MUESCA	1	1	1	1	
16	92995-06600	WASHER ARANDELA	1	1	1	1	
17	61A-81337-01	COVER, FLYWHEEL CUBIERTA DE VOLANTE	1	1	1	1	
18	65L-81338-00-1S	CLAMP, LEAD GRAMPA DE CONDUCTOR	1	1	1	1	
19	97013-06025	BOLT PERNO	1	1	1	1	
20	92903-06600	WASHER, PLATE RONDANA SENCILLA	1	1	1	1	
21	90464-18M46	CLAMP BRIDA	1	1	1	1	
22	663-82317-01	DAMPER, IGNITION COIL AMORTIGUADOR BOBINA ENCENDIDO	3	3	3	3	
23	65L-14488-00	LABEL, CAUTION ETIQUETA PRECAUCION	1	1	1	1	
24	6A1-83625-41	MARK 5 MARCA 5	1	1	1	1	
25	6K1-83623-41	MARK 3 MARCA 3			1	1	

FIG. 13 ELECTRICAL 1

EQUIPO ELECTRICO 1

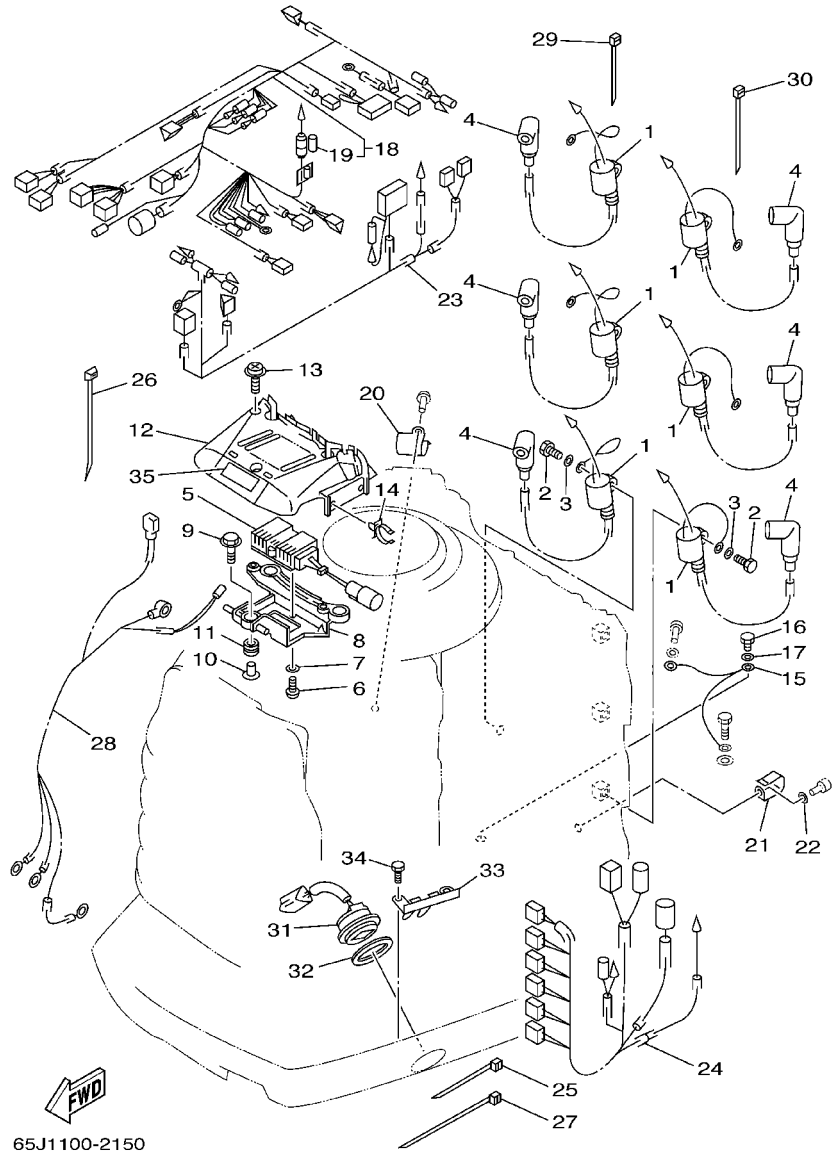


65J0010-9121

REF. NO.	PART NO. CODIGO NO.	DESCRIPTION DESCRIPTION	65J2	65L2	65K2	65M2	REMARKS OBSERVACION
1	61A-85542-01-94	BRACKET SOPORTE	1	1	1	1	
2	90480-09M12	GROMMET TAPON	4	4	4	4	
3	90387-06M03	COLLAR COLLAR	4	4	4	4	
4	90119-06M28	BOLT, WITH WASHER TORNILLO CON ARANDELA	4	4	4	4	
5	97013-06016	BOLT PERNO	2	2	2	2	
6	92903-06600	WASHER, PLATE RONDANA SENCILLA	2	2	2	2	
7	65J-85540-02 65L-85540-02	C.D.I. UNIT ASSY UNIDAD C.D.I. COMPLETA C.D.I. UNIT ASSY UNIDAD C.D.I. COMPLETA	1		1	1	
8	97013-06025	BOLT PERNO	4	4	4	4	
9	92903-06600	WASHER, PLATE RONDANA SENCILLA	4	4	4	4	
10	61A-85548-00	HOLDER SOSTEN	1	1	1	1	
11	61A-85525-00	COVER CUBIERTA	1	1	1	1	
12	97095-06016	BOLT PERNO	2	2	2	2	
13	92995-06100	WASHER, SPRING ARANDELA	2	2	2	2	
14	92995-06600	WASHER ARANDELA	2	2	2	2	
15	97013-06014	BOLT PERNO	4	4	4	4	
16	92903-06600	WASHER, PLATE RONDANA SENCILLA	4	4	4	4	
17	90464-15M11	CLAMP BRIDA	1	1	1	1	
18	90465-11M52	CLAMP BRIDA	1	1	1	1	
19	61A-85537-00	COVER CUBIERTA	1	1	1	1	
20	90159-06M03	SCREW, WITH WASHER TORNILLO CON VALONA	4	4	4	4	
21	61A-82519-00	WIRE, EARTH LEAD CABLE CONDUCTOR A TIERRA	1	1	1	1	
22	6G0-82519-00	WIRE, EARTH LEAD CABLE CONDUCTOR A TIERRA	1	1	1	1	
23	97095-06012	BOLT PERNO	2	2	2	2	
24	92995-06600	WASHER ARANDELA	2	2	2	2	

FIG. 14 ELECTRICAL 2

EQUIPO ELECTRICO 2



65J1100-2150

REF. NO.	PART NO. CODIGO NO.	DESCRIPTION DESCRIPTION	65J2	65L2	65K2	65M2	REMARKS OBSERVACION
1	61A-85570-00	IGNITION COIL ASSY BOBINA DE IGNICION COMPLETO	6	6	6	6	
2	97013-06020	BOLT PERNO	6	6	6	6	
3	92903-06600	WASHER, PLATE RONDANA SENCILLA	6	6	6	6	
4	6E3-82370-21	PLUG CAP ASSY TAPON DE BUJIA COMPLT	6	6	6	6	
5	65L-85370-00	RESISTOR ASSY RESISTOR COMPLETO	1	1	1	1	
6	97885-05010	SCREW, PAN HEAD TORNILLO A MUESCA	2	2	2	2	
7	92995-05600	WASHER ARANDELA	2	2	2	2	
8	65L-81915-00-94	PLATE, REGULATOR FITTING PLACA ACCESORIA DE REGULADOR	1	1	1	1	
9	90119-06M65	BOLT, WITH WASHER TORNILLO CON ARANDELA	3	3	3	3	
10	90387-06M60	COLLAR COLLAR	3	3	3	3	
11	90480-10M23	GROMMET TAPON	3	3	3	3	
12	65L-81916-00	COVER, TERMINAL CUBIERTA DE TERMINAL	1	1	1	1	
13	90159-06M03	SCREW, WITH WASHER TORNILLO CON VALONA	2	2	2	2	
14	90464-19M45	CLAMP BRIDA	2	2	2	2	
15	61A-82531-00	WIRE, LEAD CABLE CONDUCTOR	1	1	1	1	
16	97095-06012	BOLT PERNO	1	1	1	1	
17	92995-06600	WASHER ARANDELA	1	1	1	1	
18	65L-82590-10	WIRE HARNESS ASSY CONJUNTO DE CABLES	1	1	1	1	
19	705-82151-00	.FUSE (30A) .FUSIBLE (30A)	1	1	1	1	
20	90465-08M89	CLAMP BRIDA	1	1	1	1	
21	90465-05M87	CLAMP BRIDA	1	1	1	1	
22	92903-06600	WASHER, PLATE RONDANA SENCILLA	1	1	1	1	
23	65L-8259M-00	WIRE HARNESS ASSY 2 ARNES DE CABLES	1	1	1	1	
24	65L-8259N-01	WIRE HARNESS ASSY 3 ARNES DE CABLES	1	1	1	1	
25	90465-11M10	CLAMP BRIDA	1	1	1	1	
26	90465-11M52	CLAMP BRIDA	1	1	1	1	
27	90465-13M18	CLAMP BRIDA	1	1	1	1	

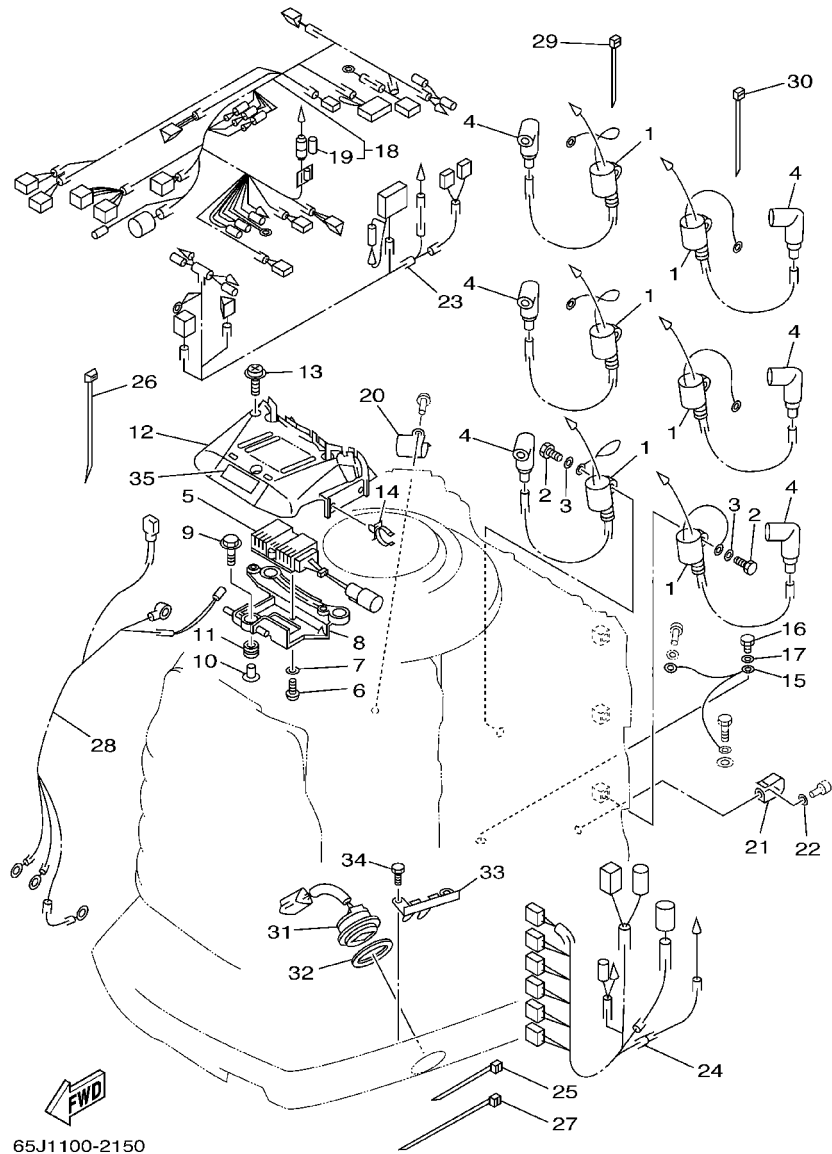
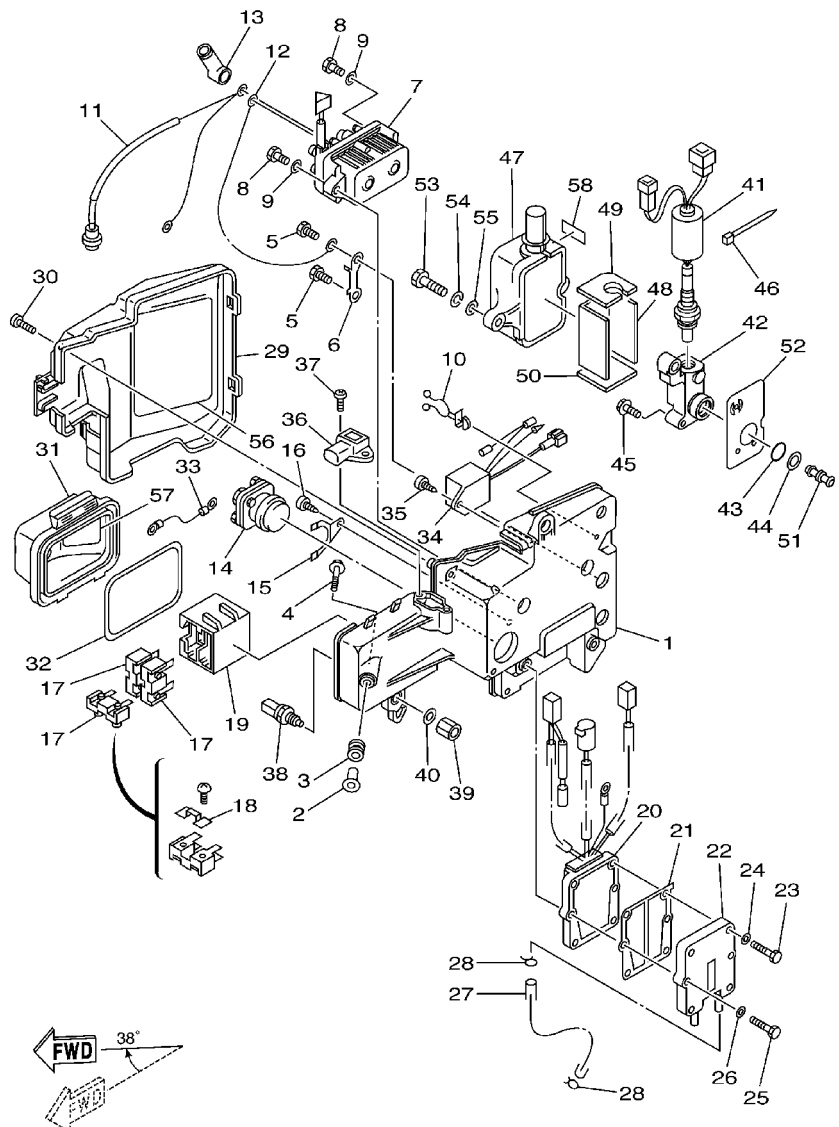


FIG. 14 ELECTRICAL 2

EQUIPO ELECTRICO 2

REF. NO.	PART NO. CODIGO NO.	DESCRIPTION DESCRIPTION	65J2	65L2	65K2	65M2	REMARKS OBSERVACION
28	61A-82105-00	WIRE HARNESS ARNES DE CABLES	1	1	1	1	
29	90465-11M10	CLAMP BRIDA	1	1	1	1	
30	90465-13M18	CLAMP BRIDA	1	1	1	1	
31	61A-82563-00	TRIM & TILT SWITCH ASSY INTERRUPTOR DE INCLINACION	1	1	1	1	
32	6E5-82587-00	GASKET EMPAQUETADURA	1	1	1	1	
33	61A-83614-00	BRACKET SOPORTE	1	1	1	1	
34	97095-06012	BOLT PERNO	2	2	2	2	
35	65L-83625-40	MARK 5 MARCA 5	1	1	1	1	



65J2100-3160

FIG. 15 ELECTRICAL 3

EQUIPO ELECTRICO 3

REF. NO.	PART NO. CODIGO NO.	DESCRIPTION DESCRIPTION	65J2	65L2	65K2	65M2	REMARKS OBSERVACION
1	65L-81948-00	BRACKET SOPORTE	1	1	1	1	
2	624-42542-00	PIPE TUBO	5	5	5	5	
3	6A0-82317-00	DAMPER, IGNITION COIL AMORTIGUADOR BOBINA ENCENDIDO	5	5	5	5	
4	90119-06M65	BOLT, WITH WASHER TORNILLO CON ARANDELA	5	5	5	5	
5	97013-06014	BOLT PERNO	2	2	2	2	
6	61A-87149-00	CONNECTOR CONECTOR	1	1	1	1	
7	61A-81950-00	RELAY ASSY RELE COMPLETO	1	1	1	1	
8	97013-06030	BOLT PERNO	2	2	2	2	
9	92903-06600	WASHER, PLATE RONDANA SENCILLA	2	2	2	2	
10	90464-18M46	CLAMP BRIDA	1	1	1	1	
11	61A-81949-10	WIRE, LEAD CABLE CONDUCTOR	1	1	1	1	
12	61A-81949-00	WIRE, LEAD CABLE CONDUCTOR	1	1	1	1	
13	6G5-82119-00	COVER, LEAD WIRE CUBIERTA DE CABLE CONDUCTOR	1	1	1	1	
14	61A-81941-00	STARTER RELAY ASSY RELE DE ARRANQUE	1	1	1	1	
15	61A-81952-00	HOLDER, RELAY SOSTEN DE RELE	1	1	1	1	
16	97780-50612	SCREW, TAPPING TORNILLO DE CABEZA DE CONO ACH	1	1	1	1	
17	61A-82150-00	FUSE HOLDER ASSY PORTA-FUSIBLES COMPLETO	3	3	3	3	
18	61A-82151-00	.FUSE (12V-80A) .FUSIBLE (12V-80A)	1	1	1	1	
19	61A-82153-00	STAY, FUSE HOLDER ABRAZADERA FUSIBLE	1	1	1	1	
20	61A-81960-02	RECTIFIER & REGULATOR ASSY RECTIFICADOR Y REGULADOR	1	1	1	1	
21	69J-81975-A0	PLATE, RECTIFIER FITTING PLACA ACCESORIA RECTIF.	1	1	1	1	
22	69J-81972-01-1S	COVER, RECTIFIER CUBIERTA DE RECTIFICADOR	1	1	1	1	
23	97013-06025	BOLT PERNO	4	4	4	4	
24	92903-06600	WASHER, PLATE RONDANA SENCILLA	4	4	4	4	
25	97013-06030	BOLT PERNO	2	2	2	2	
26	92903-06600	WASHER, PLATE RONDANA SENCILLA	2	2	2	2	
27	90445-09224	HOSE TUBO	1	1	1	1	

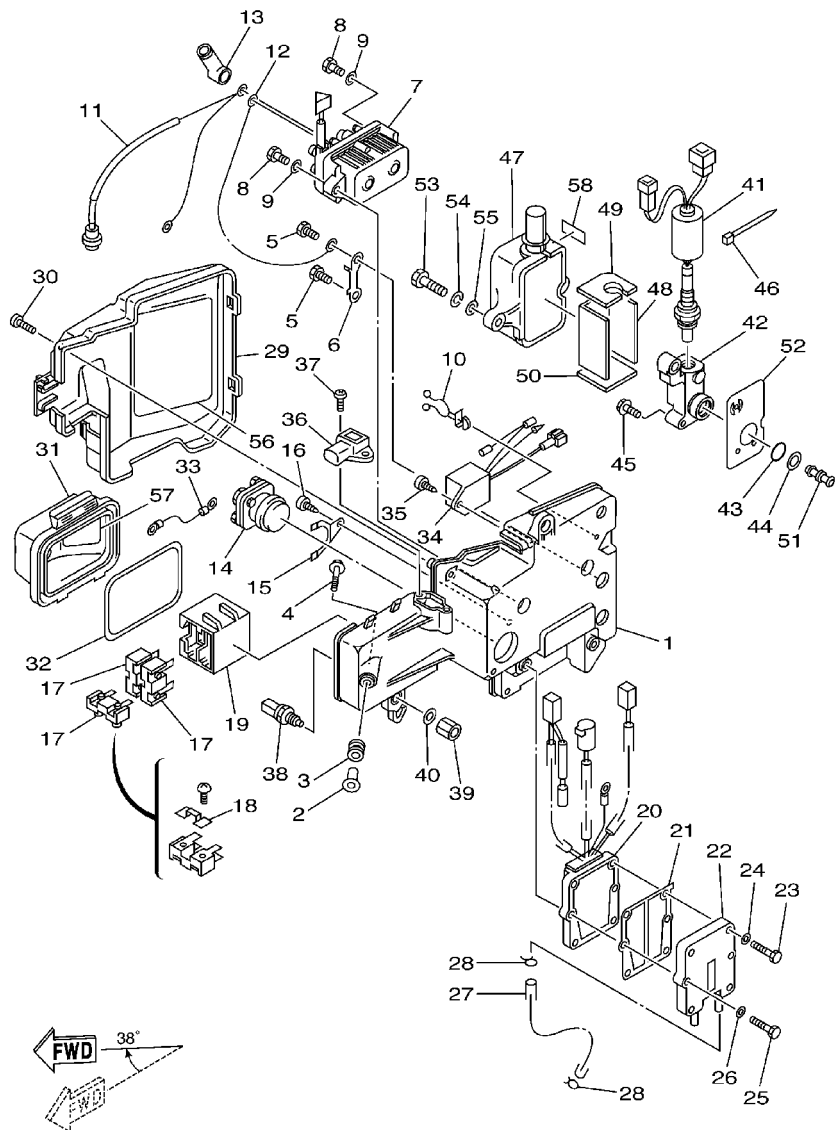


FIG. 15 ELECTRICAL 3

EQUIPO ELECTRICO 3

REF. NO.	PART NO. CODIGO NO.	DESCRIPTION DESCRIPTION	65J2	65L2	65K2	65M2	REMARKS OBSERVACION
28	90467-08004	CLIP PRESILLA	2	2	2	2	
29	65L-81942-00	COVER CUBIERTA	1	1	1	1	
30	90169-05M00	SCREW, TRUSS HEAD TAPPING TORNILLO	2	2	2	2	
31	61A-82154-01	CASE CAJA	1	1	1	1	
32	61A-82176-00	DAMPER AMORTIGUADOR	1	1	1	1	
33	61A-82117-00	WIRE, LEAD CABLE CONDUCTOR	1	1	1	1	
34	65L-81950-01	RELAY ASSY RELE COMPLETO	1	1	1	1	
35	97780-60625	SCREW, TAPPING TORNILLO DE CABEZA DE CONO ACH	1	1	1	1	
36	67H-82380-00	SENSOR, PRESSURE SENSOR DE PRESION	1	1	1	1	
37	97780-60625	SCREW, TAPPING TORNILLO DE CABEZA DE CONO ACH	2	2	2	2	
38	65L-85886-00	THERMOSENSOR TERMICA SENSORIO	1	1	1	1	
39	90170-12M36	NUT TUERCA	1	1	1	1	
40	90201-12M34	WASHER, PLATE ARANDELA PLANA	1	1	1	1	
41	65L-8592A-01	SENSOR SENSOR	1	1	1	1	
42	69L-11395-00	HOLDER RETEN	1	1	1	1	
43	93210-17003	O-RING JUNTA TORICA	1	1	1	1	
44	69L-11397-00	GASKET EMPAQUE	1	1	1	1	
45	90119-06M74	BOLT, WITH WASHER TORNILLO CON ARANDELA	3	3	3	3	
46	90465-13M18	CLAMP BRIDA	1	1	1	1	
47	65L-85832-00	CASE, UNDER CAJA SUPERIOR	1	1	1	1	
48	65L-11354-00	GASKET EMPAQUE	1	1	1	1	
49	65L-1131N-00	GASKET, HOLDER SOPORTE DE EMPAQUE	1	1	1	1	
50	65L-11396-00	GASKET, HOLDER EMPAQUE DE RETENEDOR	1	1	1	1	
51	65L-11353-11	JOINT TOBERA UNION	1	1	1	1	
52	69L-11357-00	SEAL, CYLINDER 3 RETEN ACEITE CILINDRO 3	1	1	1	1	
53	97095-06030	BOLT PERNO	2	2	2	2	
54	92995-06100	WASHER, SPRING ARANDELA	2	2	2	2	

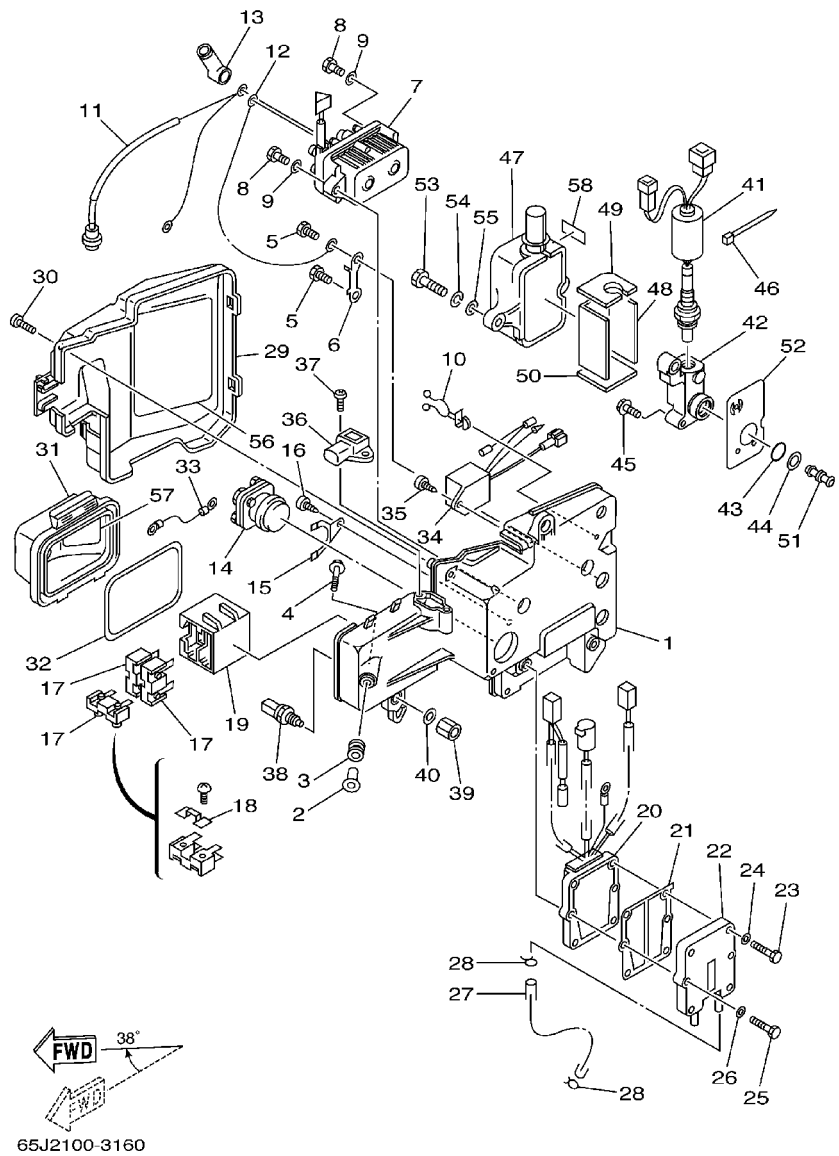


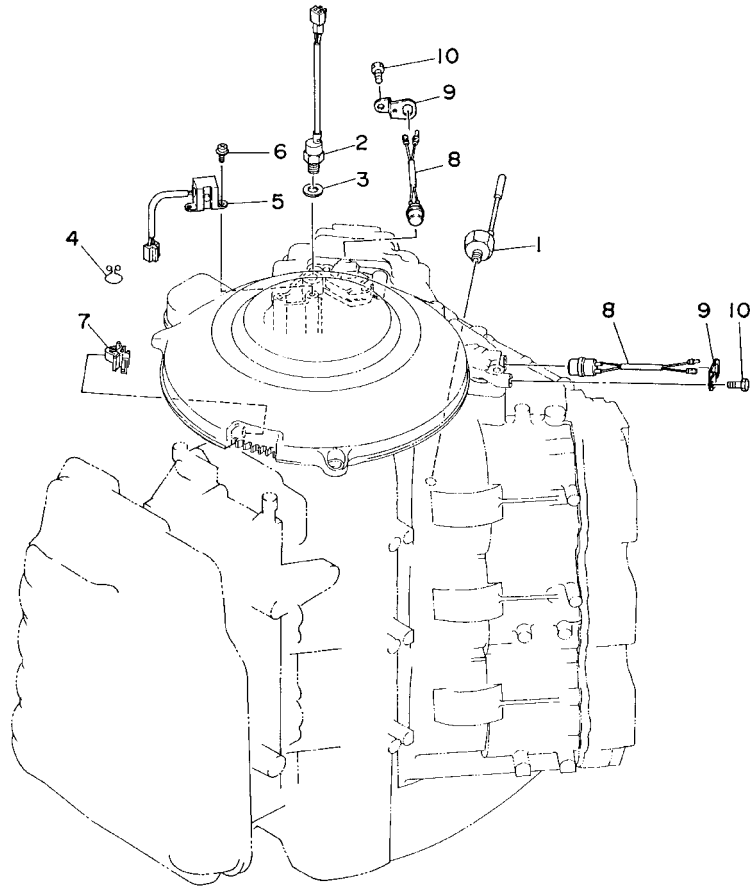
FIG. 15 ELECTRICAL 3

EQUIPO ELECTRICO 3

REF. NO.	PART NO. CODIGO NO.	DESCRIPTION DESCRIPTION	65J2	65L2	65K2	65M2	REMARKS OBSERVACION
55	92995-06600	WASHER ARANDELA	2	2	2	2	
56	65L-81919-00	GRAPHIC, REGULATOR CALCAMONIA DE REGULADOR	1	1	1	1	
57	61A-81919-00	GRAPHIC, REGULATOR CALCAMONIA DE REGULADOR	1	1	1	1	
58	65L-83625-40	MARK 5 MARCA 5	1	1	1	1	

FIG. 16 ELECTRICAL 4

EQUIPO ELECTRICO 4



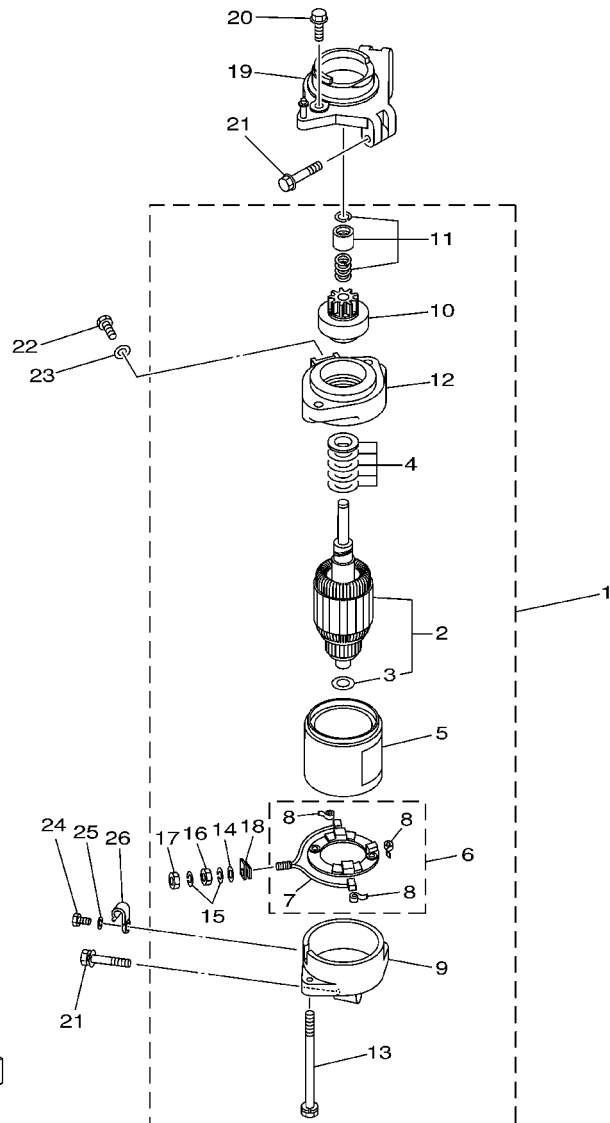
REF. NO.	PART NO. CODIGO NO.	DESCRIPTION DESCRIPTION	65J2	65L2	65K2	65M2	REMARKS OBSERVACION
1	61A-85780-00	SENSOR, KNOCK CHOCAR SENSORIO	1	1	1	1	
2	61A-85790-00	THERMOSENSOR ASSY TERMICA SENSORIO	1	1	1	1	
3	92990-10600	WASHER, PLATE ARANDELA PLANA	1	1	1	1	
4	90464-12M48	CLAMP BRIDA	1	1	1	1	
5	61A-85895-00	CRANK POSITION SENDER SENSOR, POSICION DE CIGUENAL	1	1	1	1	
6	97885-05012	SCREW, PAN HEAD TORNILLO A MUESCA	2	2	2	2	
7	90464-09M47	CLAMP BRIDA	1	1	1	1	
8	61A-82560-00	THERMO SWITCH ASSY INTER. DE TERMO	2	2	2	2	
9	61A-8252U-00	COVER CUBIERTA	2	2	2	2	
10	97080-06012	BOLT PERNO	2	2	2	2	



65J0010-7150

FIG. 17 STARTING MOTOR

MOTOR DE ARRANQUE

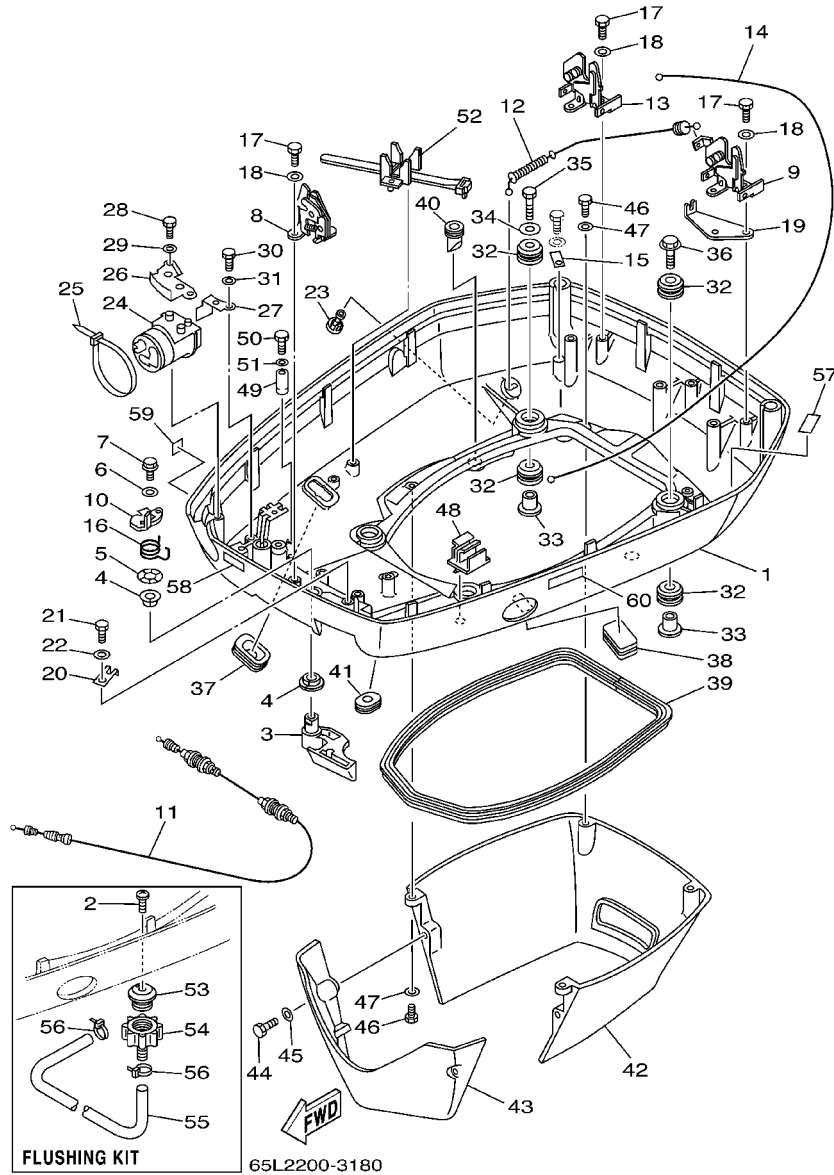


66X2100-3160

REF. NO.	PART NO. CODIGO NO.	DESCRIPTION DESCRIPTION	65J2	65L2	65K2	65M2	REMARKS OBSERVACION
1	69L-81800-00	STARTING MOTOR ASSY MOTOR DE ARRANQUE COMPLETO	1	1	1	1	
2	61A-81850-01	.ARMATURE ASSY .INDUCIDO COMPLETO	1	1	1	1	
3	61A-81824-00	..WASHER 2 ..ARANDELA 2	1	1	1	1	
4	61A-81809-00	.WASHER KIT .JUEGO DE ARANDELA	1	1	1	1	
5	6K7-81810-00	.STATOR ASSY .ESTATOR COMPLETO	1	1	1	1	
6	61A-81840-00	.BRUSH HOLDER ASSY .SOSTEN DE ESCOBILLA COMPLETO	1	1	1	1	
7	6K7-81801-10	..BRUSH SET ..JUEGO DE ESCOBILLA	1	1	1	1	
8	6E5-81813-10	..SPRING, BRUSH ..RESORTE DE ESCOBILLA	3	3	3	3	
9	61A-81820-00	.REAR BRACKET ASSY .CUBIERTA TRASERA COMPL	1	1	1	1	
10	61A-81807-00	.GEAR ASSY, STARTING MOTOR .PINON CONJUNTO	1	1	1	1	
11	61H-81857-00	.RETAINER .SEGURO	1	1	1	1	
12	61A-81830-00	.FRONT BRACKET ASSY .SOPORTE DELANTERO COMPLETO	1	1	1	1	
13	6K7-81826-10	.BOLT .PERNO	2	2	2	2	
14	6E5-8182E-10	.WASHER .RONDANA	1	1	1	1	
15	6E5-8182F-10	.WASHER .RONDANA	2	2	2	2	
16	6E5-8182A-10	.NUT .TUERCA	1	1	1	1	
17	6E5-8182K-10	.NUT .TUERCA	1	1	1	1	
18	6K7-8182G-10	.BUSH, TERMINAL .BUJE DE TERMINAL	1	1	1	1	
19	61A-81822-00-94	BRACKET, STARTING MOTOR SOPORTE DE MOTOR DE ARRANQUE	1	1	1	1	
20	90119-08M76	BOLT, WITH WASHER TORNILLO CON ARANDELA	2	2	2	2	
21	90119-08M77	BOLT, WITH WASHER TORNILLO CON ARANDELA	3	3	3	3	
22	97095-08016	BOLT PERNO	1	1	1	1	
23	92995-08600	WASHER ARANDELA	1	1	1	1	
24	97095-06012	BOLT PERNO	1	1	1	1	
25	92995-06600	WASHER ARANDELA	1	1	1	1	
26	90465-06M86	CLAMP BRIDA	1	1	1	1	

FIG. 18 BOTTOM COWLING

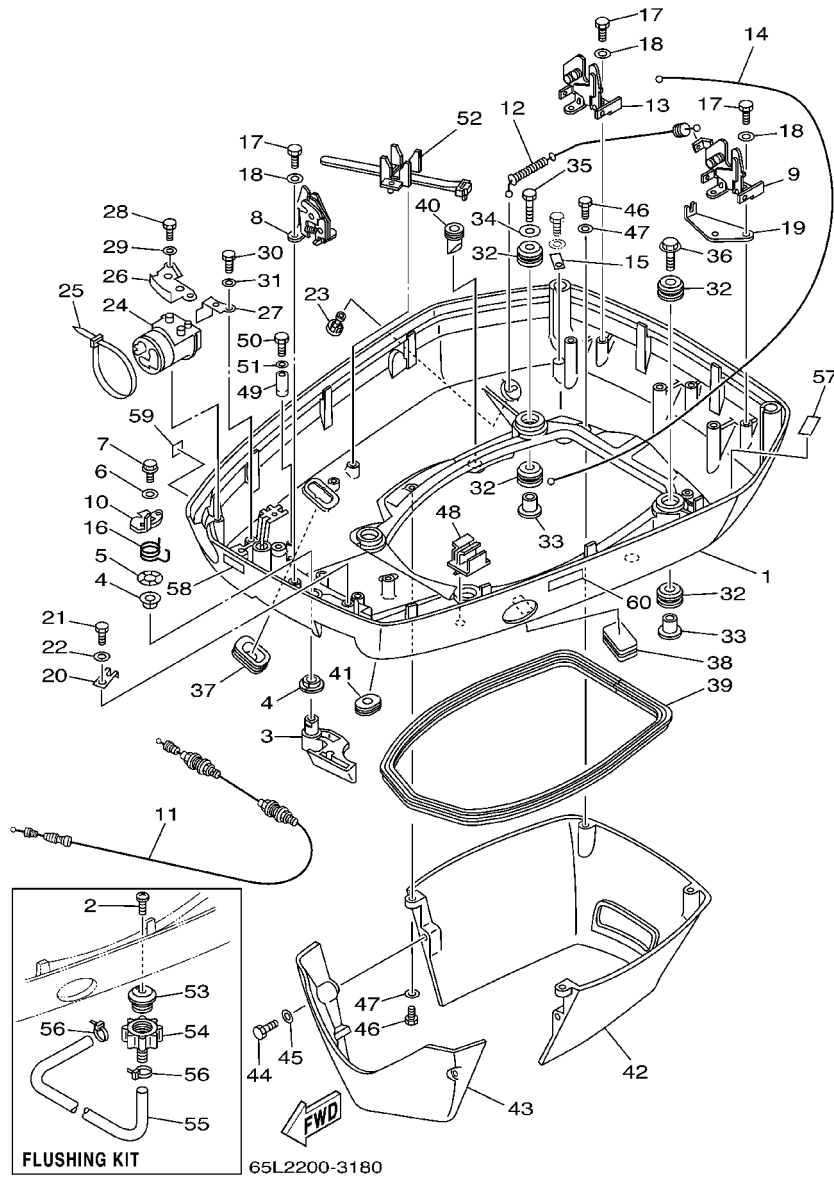
CUBIERTA INFERIOR



REF. NO.	PART NO. CODIGO NO.	DESCRIPTION DESCRIPTION	65J2	65L2	65K2	65M2	REMARKS OBSERVACION
1	61A-42711-05-8D	COWLING, BOTTOM CUBIERTA INFERIOR	1	1	1	1	
2	90169-05M00	SCREW, TRUSS HEAD TAPPING TORNILLO	1	1	1	1	FLUSHING KIT
3	61A-42815-01-8D	LEVER, CLAMP PALANCA ABRAZADERA	1	1	1	1	
4	90386-13M88	BUSH BUJE	2	2	2	2	
5	90206-13M10	WASHER, WAVE ARANDELA ONDULADA	1	1	1	1	
6	90201-06M30	WASHER, PLATE ARANDELA PLANA	1	1	1	1	
7	90109-06M50	BOLT PERNO	1	1	1	1	
8	6R3-42824-00	BASE, CLAMP LEVER BASE, GRAMPA PALANCA	1	1	1	1	
9	6R3-42811-01	STAY SOPORTE GRAMPA	1	1	1	1	
10	6R3-42816-00	LEVER, CLAMP PALANCA ABRAZADERA	1	1	1	1	
11	6R3-42850-10	WIRE COMPLETE CABLE COMPLETO	1	1	1	1	
12	61A-42850-01	WIRE COMPLETE CABLE COMPLETO	1	1	1	1	
13	6R3-42811-10	STAY SOPORTE GRAMPA	1	1	1	1	
14	61A-42850-20	WIRE COMPLETE CABLE COMPLETO	1	1	1	1	
15	682-44117-00	BRACKET SOPORTE	1	1	1	1	
16	6R3-42813-00	SPRING, CLAMP LEVER RESORTE	1	1	1	1	
17	97095-06016	BOLT PERNO	6	6	6	6	
18	92995-06600	WASHER ARANDELA	6	6	6	6	
19	6N7-42828-00	PLATE, CLAMP PLACA, GRAMPA	1	1	1	1	
20	6R3-42828-00	PLATE, CLAMP PLACA, GRAMPA	1	1	1	1	
21	97095-06010	BOLT PERNO	1	1	1	1	
22	92995-06600	WASHER ARANDELA	1	1	1	1	
23	6E5-44391-00	NIPPLE, HOSE NIPLE MANGUERA	1	1	1	1	
24	61A-42725-12	GROMMET TAPON	1	1	1	1	
25	90465-13M30	CLAMP BRIDA	1	1	1	1	
26	61A-42738-02-5B	PLATE, FITTING PLACA DE AJUSTE	1	1	1	1	
27	64D-42738-10-5B	PLATE, FITTING PLACA DE AJUSTE	1	1	1	1	

FIG. 18 BOTTOM COWLING

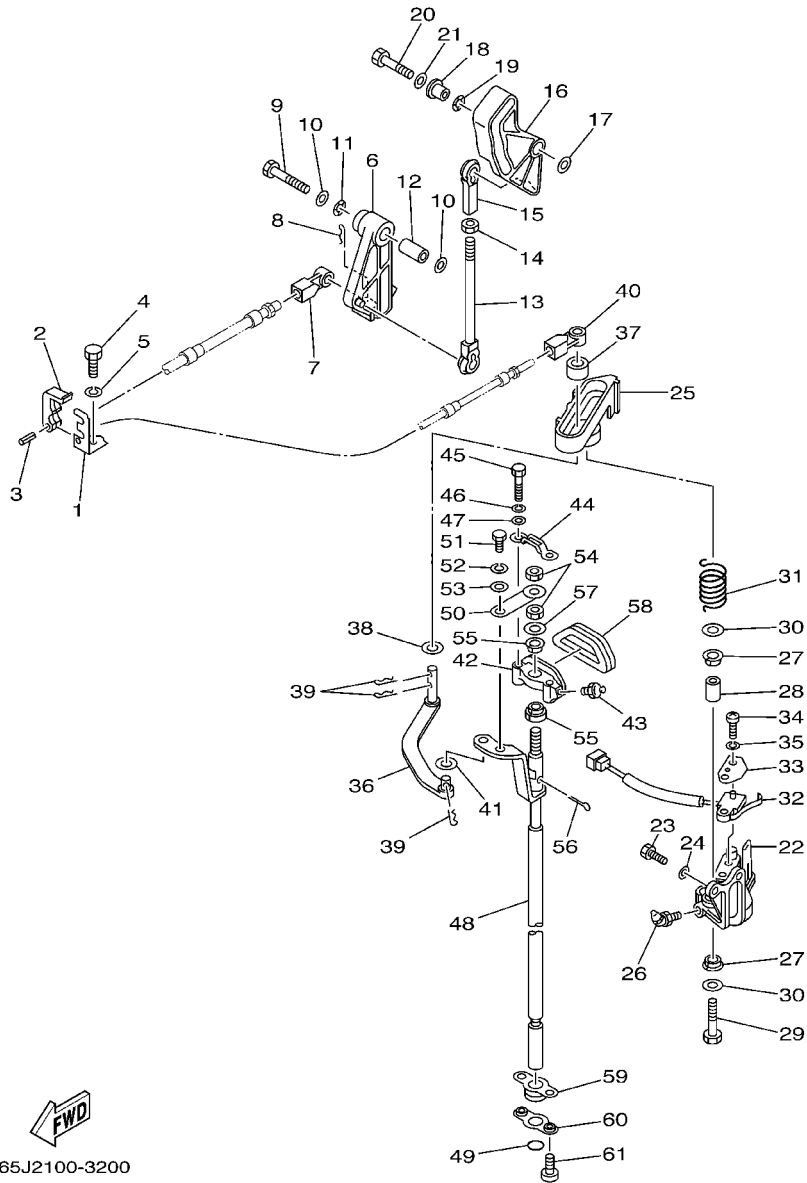
CUBIERTA INFERIOR



REF. NO.	PART NO. CODIGO NO.	DESCRIPTION DESCRIPTION	65J2	65L2	65K2	65M2	REMARKS OBSERVACION
28	97095-06016	BOLT PERNO	2	2	2	2	
29	92995-06600	WASHER ARANDELA	2	2	2	2	
30	97095-06012	BOLT PERNO	1	1	1	1	
31	92995-06600	WASHER ARANDELA	1	1	1	1	
32	90480-22M81	GROMMET TAPON	8	8	8	8	
33	90387-08M37	COLLAR COLLAR	4	4	4	4	
34	90201-08M54	WASHER, PLATE ARANDELA PLANA	1	1	1	1	
35	97075-08035	BOLT PERNO	1	1	1	1	
36	90119-08M22	BOLT, WITH WASHER TORNILLO CON ARANDELA	3	3	3	3	
37	688-42726-10	GROMMET TAPON	1	1	1	1	
38	6H4-42726-00	GROMMET TAPON	1	1	1	1	
39	61A-42716-00	RUBBER, SEAL 1 SELLO DE GOMA 1	1	1	1	1	
40	61A-42717-00	RUBBER, SEAL 2 SELLO DE GOMA 2	4	4	4	4	
41	61A-42727-00	GROMMET TAPON	1	1	1	1	
42	61A-42741-01-8D	APRON MANDIL	1	1	1	1	
43	61A-42771-01-8D	APRON MANDIL	1	1	1	1	
44	97095-06030	BOLT PERNO	2	2	2	2	
45	92995-06600	WASHER ARANDELA	2	2	2	2	
46	97095-06020	BOLT PERNO	4	4	4	4	
47	92995-06600	WASHER ARANDELA	4	4	4	4	
48	6E5-82594-00	CLAMP GRAMPA	1	1	1	1	
49	6E5-82588-00	PLATE PLACA	1	1	1	1	
50	97095-06020	BOLT PERNO	1	1	1	1	
51	92995-06600	WASHER ARANDELA	1	1	1	1	
52	688-82594-00	CLAMP GRAMPA	1	1	1	1	
53	6R3-12572-00	ADAPTER ADAPTADOR	1	1	1	1	FLUSHING KIT
54	6R3-12580-00	JOINT ASSY ACOPLAR COMP.	1	1	1	1	FLUSHING KIT

FIG. 19 CONTROL

CONTROL

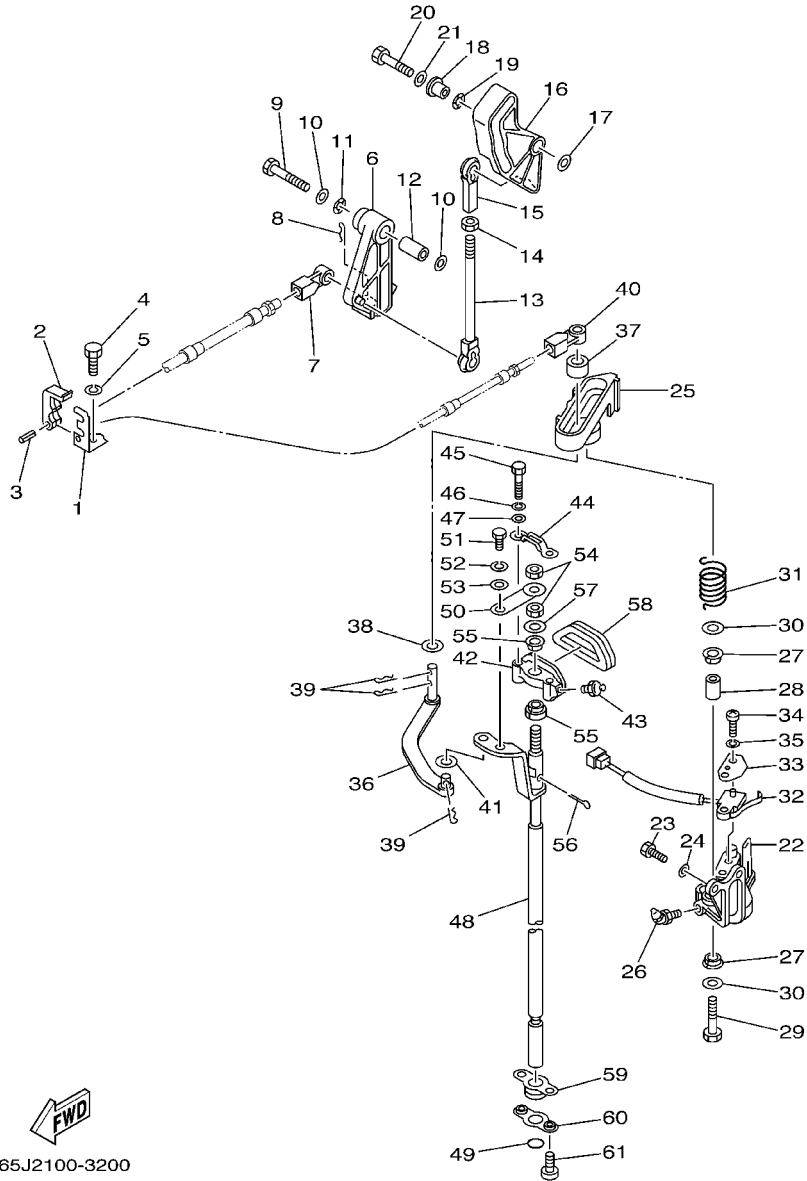


FWD
65J2100-3200

REF. NO.	PART NO. CODIGO NO.	DESCRIPTION DESCRIPTION	65J2	65L2	65K2	65M2	REMARKS OBSERVACION
1	65L-48531-00	BRACKET, REMOTE CONTROL 1 SOPORTE DE CONTROL REMOTO	1	1	1	1	
2	663-48538-00	CLAMP, CABLE 1 GRAMPA DE CABLE	1	1	1	1	
3	91690-30010	PIN, SPRING PASADOR DE RESORTE	1	1	1	1	
4	97095-08020	BOLT PERNO	1	1	1	1	
5	92995-08100	WASHER ARANDELA	1	1	1	1	
6	65L-41632-01	LEVER, MAGNETO CONTROL PALANCA DE CONTROL DE MAGNETO	1	1	1	1	
7	6E5-48344-00	CABLE END, REMOTE CONTROL BASE CONTROL	1	1	1	1	
8	90468-18008	CLIP PRESILLA	1	1	1	1	
9	97013-08045	BOLT PERNO	1	1	1	1	
10	92990-08200	WASHER, PLAIN ARANDELA PLANA	2	2	2	2	
11	90206-12M00	WASHER, WAVE ARANDELA ONDULADA	1	1	1	1	
12	90387-08M16	COLLAR COLLAR	1	1	1	1	
13	61A-41237-00	JOINT, LINK CONECTOR	1	1	1	1	
14	95380-05600	NUT TUERCA	1	1	1	1	
15	682-41237-00	JOINT, LINK CONECTOR	1	1	1	1	
16	65L-41213-00	CAM, ACCEL. LEVA ACELERADOR	1	1	1	1	
17	90201-06M31	WASHER, PLATE ARANDELA PLANA	1	1	1	1	
18	90387-06M29	COLLAR COLLAR	1	1	1	1	
19	90206-10M04	WASHER, WAVE ARANDELA ONDULADA	1	1	1	1	
20	97013-06030	BOLT PERNO	1	1	1	1	
21	92903-06600	WASHER, PLATE RONDANA SENCILLA	1	1	1	1	
22	61A-44117-01-1S	BRACKET SOPORTE	1	1	1	1	
23	97095-06016	BOLT PERNO	2	2	2	2	
24	92995-06600	WASHER ARANDELA	2	2	2	2	
25	61A-44176-00-1S	BRACKET SOPORTE	1	1	1	1	
26	93700-06M01	NIPPLE, GREASE BOQUILLA DE ENGRASAR	1	1	1	1	
27	90386-12069	BUSH BUJE	2	2	2	2	

FIG. 19 CONTROL

CONTROL

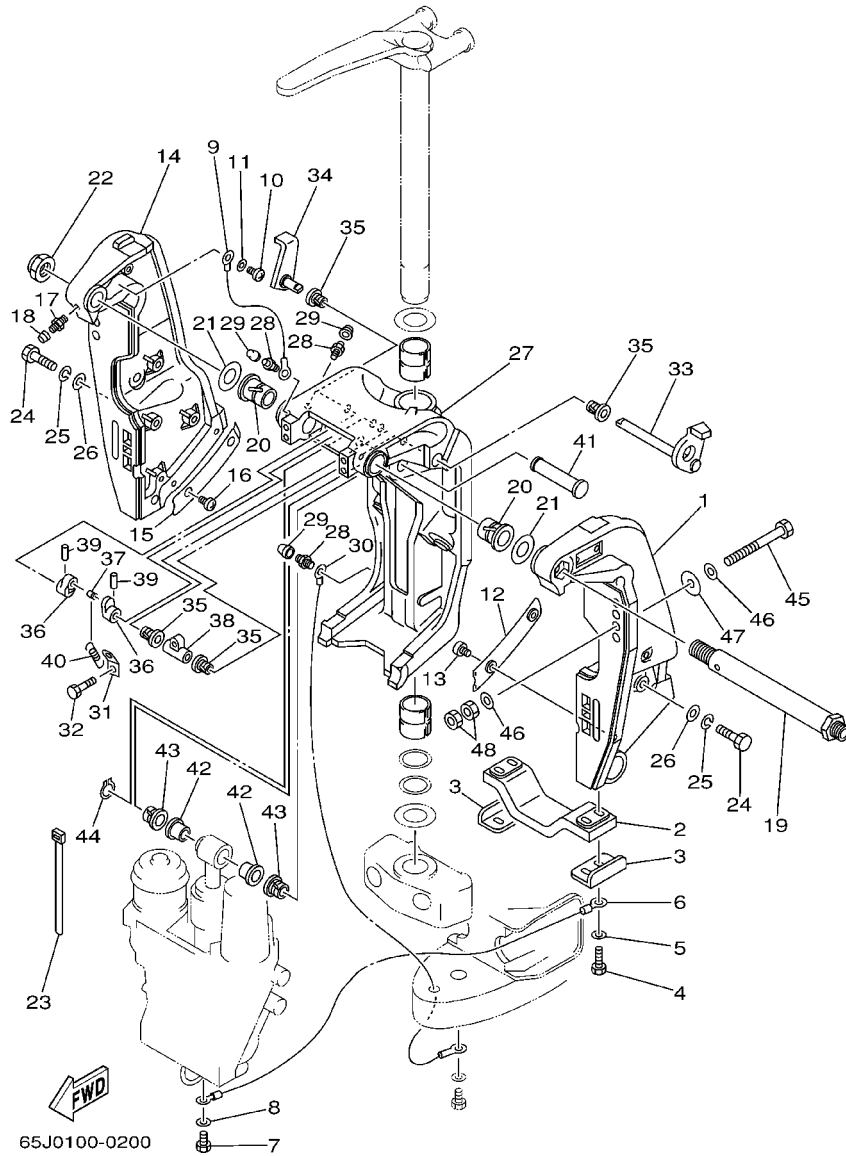


FWD
65J2100-3200

REF. NO.	PART NO. CODIGO NO.	DESCRIPTION DESCRIPTION	65J2	65L2	65K2	65M2	REMARKS OBSERVACION
28	90387-08M09	COLLAR COLLAR	1	1	1	1	
29	97095-08035	BOLT PERNO	1	1	1	1	
30	92995-08200	WASHER ARANDELA	2	2	2	2	
31	90508-20M31	SPRING, TORSION RESORTE DE TORSION	1	1	1	1	
32	61A-8259F-00	SWITCH ASSY INTERRUPTOR	1	1	1	1	
33	61A-82588-01	PLATE PLACA	1	1	1	1	
34	97885-04016	SCREW, PAN HEAD TORNILLO A MUESCA	2	2	2	2	
35	92995-04100	WASHER ARANDELA	2	2	2	2	
36	61A-44121-00	LEVER, SHIFT ROD PALANCA VARILLA CAMBIOS	1	1	1	1	
37	6E5-44122-00	BUSHING, SHIFT ROD LEVER BUJE PALANCA VARILLA DE CAMBIO	1	1	1	1	
38	90202-08M20	WASHER, PLATE ARANDELA DE PLANA	1	1	1	1	
39	90468-18008	CLIP PRESILLA	3	3	3	3	
40	6E5-48344-00	CABLE END, REMOTE CONTROL BASE CONTROL	1	1	1	1	
41	90202-06007	WASHER, PLATE ARANDELA DE PLANA	1	1	1	1	
42	61A-44118-00-8D	BRACKET SOPORTE	1	1	1	1	
43	93700-06M03	NIPPLE, GREASE BOQUILLA DE ENGRASAR	1	1	1	1	
44	61A-44116-00	SPRING RESORTE	1	1	1	1	
45	97095-06030	BOLT PERNO	2	2	2	2	
46	92995-06100	WASHER, SPRING ARANDELA	2	2	2	2	
47	92995-06600	WASHER ARANDELA	2	2	2	2	
48	61A-44120-22	HANDLE GEAR SHIFT ASSY MANIJA DE CAMBIO COMPL	1	1	1	1	X
49	93210-09165	O-RING JUNTA TORICA	1	1	1	1	
50	61A-44112-00	STAY, HANDLE GEAR SHIFT SOPORTE HANIJA DE CABIO DE MAR	1	1	1	1	
51	97013-06012	BOLT PERNO	1	1	1	1	
52	92903-06100	WASHER, SPRING RONDANA SENCILLA	1	1	1	1	
53	92903-06600	WASHER, PLATE RONDANA SENCILLA	1	1	1	1	
54	95313-08600	NUT TUERCA	2	2	2	2	

FIG. 20 BRACKET 1

SOPORTE 1



REF. NO.	PART NO. CODIGO NO.	DESCRIPTION DESCRIPTION	65J2	65L2	65K2	65M2	REMARKS OBSERVACION
1	61A-43111-23-8D	BRACKET, CLAMP SOPORTE DE LA ABRAZADERA	1	1	1	1	
2	6G5-45251-02	ANODE CATODE	1	1	1	1	
3	6G5-44526-00	PLATE PLACA 1	2	2	2	2	
4	97095-06025	BOLT PERNO	4	4	4	4	
5	92995-06600	WASHER ARANDELA	4	4	4	4	
6	6H1-82148-00	WIRE, LEAD 4 CABLE CONDUCTOR 4	1	1	1	1	
7	97095-06010	BOLT PERNO	1	1	1	1	
8	92995-06600	WASHER ARANDELA	1	1	1	1	
9	6E5-82148-00	WIRE, LEAD 4 CABLE CONDUCTOR 4	1	1	1	1	
10	97885-06012	SCREW, PAN HEAD TORNILLO A MUESCA	1	1	1	1	
11	92995-06600	WASHER ARANDELA	1	1	1	1	
12	61A-43132-00	WASHER, FRICTION ARANDELA DE FRICCION	1	1	1	1	
13	97885-06010	SCREW, PAN HEAD TORNILLO A MUESCA	2	2	2	2	
14	61A-43112-23-8D	BRACKET, CLAMP SOPORTE DE LA ABRAZADERA	1	1	1	1	
15	61A-43133-00	WASHER, FRICTION RONDANA	1	1	1	1	
16	97885-06010	SCREW, PAN HEAD TORNILLO A MUESCA	2	2	2	2	
17	93700-06M03	NIPPLE, GREASE BOQUILLA DE ENGRASAR	1	1	1	1	
18	663-45119-00	CAP, GREASE NIPPLE TAPA DE GRASERA	1	1	1	1	
19	6R3-43131-00	BOLT, CLAMP BRACKET TORNILLO DE ABRAZADERA DEL SOP	1	1	1	1	
20	90386-25M31	BUSH BUJE	2	2	2	2	
21	90201-26M59	WASHER, PLATE ARANDELA PLANA	2	2	2	2	
22	90185-22M11	NUT, SELF-LOCKING TUERCA AUTOBLOCANTE	1	1	1	1	
23	90465-11M10	CLAMP BRIDA	2	2	2	2	
24	97095-10045	BOLT PERNO	8	8	8	8	
25	92995-10100	WASHER ARANDELA	8	8	8	8	
26	92995-10600	WASHER ARANDELA	8	8	8	8	
27	61A-43311-21-8D	BRACKET, SWIVEL 1 SOPORTE GIRATORIO 1	1	1	1	1	X

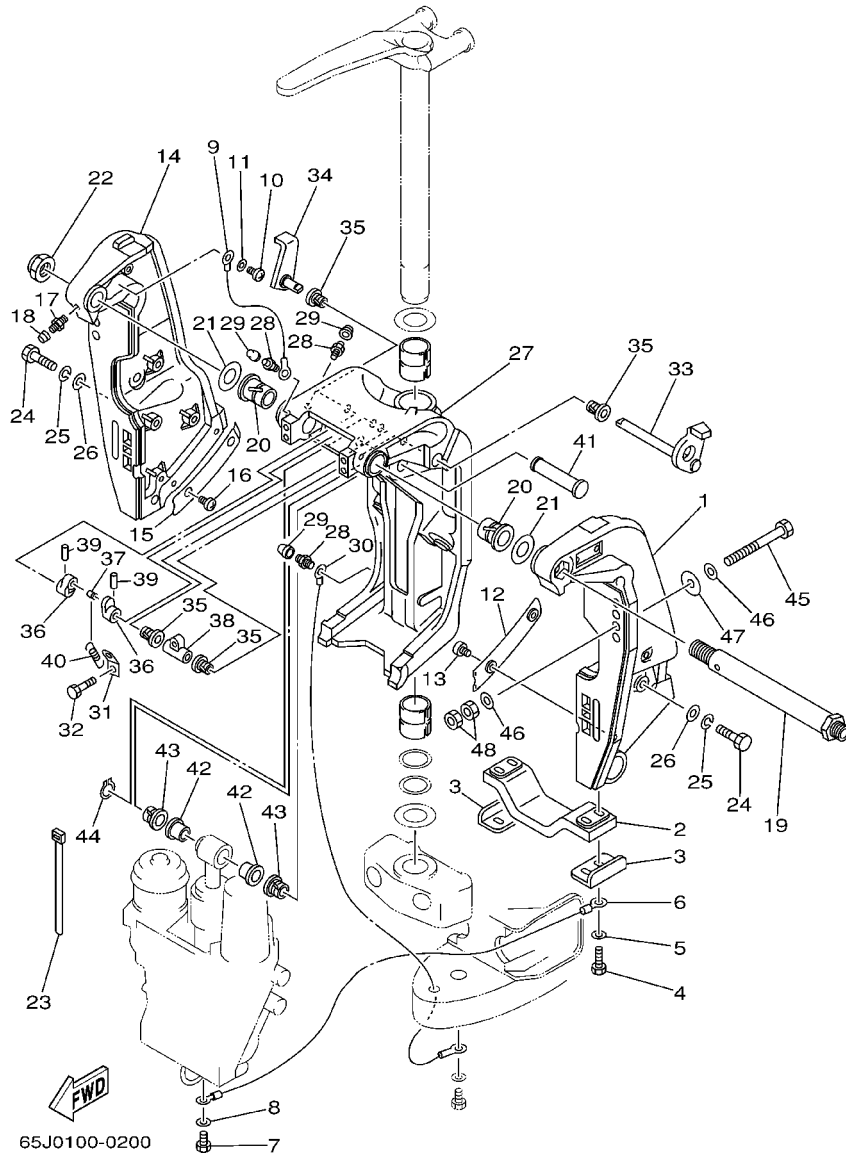


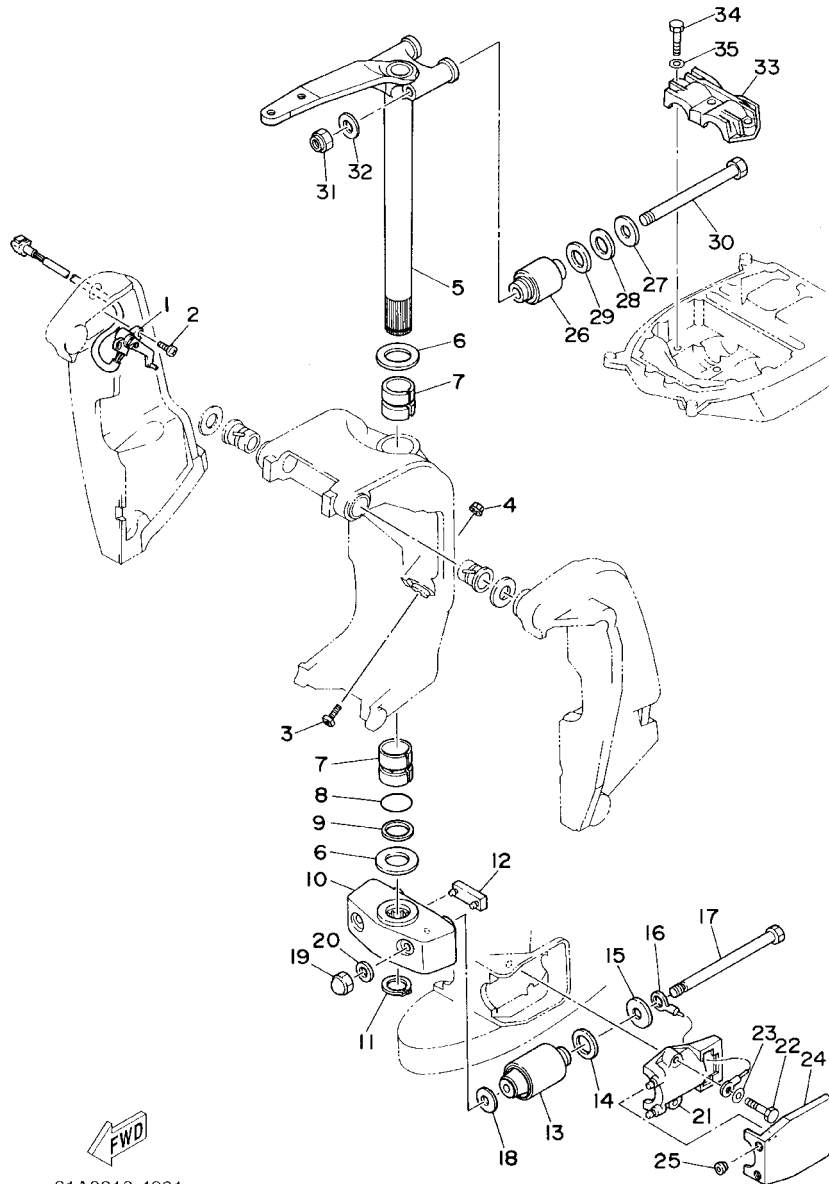
FIG. 20 BRACKET 1

SOPORTE 1

REF. NO.	PART NO. CODIGO NO.	DESCRIPTION DESCRIPTION	65J2	65L2	65K2	65M2	REMARKS OBSERVACION
28	93700-06M03	NIPPLE, GREASE BOQUILLA DE ENGRASAR	5	5	5	5	
29	663-45119-00	CAP, GREASE NIPPLE TAPA DE GRASERA	5	5	5	5	
30	61A-82147-20	WIRE, LEAD 4 CABLE CONDUCTOR 4	1	1	1	1	X
31	6G5-43144-00	HOOK, SPRING GANCHO	1	1	1	1	
32	97095-06010	BOLT PERNO	1	1	1	1	
33	61A-43181-01	LEVER, TILT STOP PALANCA TOPE INCLINACION	1	1	1	1	
34	6G5-43185-02	LEVER, TILT STOP PALANCA TOPE INCLINACION	1	1	1	1	
35	90386-10M16	BUSH BUJE	4	4	4	4	
36	6G5-43148-00	COLLAR, DISTANCE COLLAR	2	2	2	2	
37	90249-06M19	PIN	1	1	1	1	
38	90387-10M02	PASADOR COLLAR	1	1	1	1	
39	91690-30020	PIN, SPRING PASADOR DE RESORTE	2	2	2	2	
40	90506-14M24	SPRING, TENSION RESORTE DE TENSION	1	1	1	1	
41	6E5-43126-02	PIN, UPPER SHOCK MOUNT PASADOR DE AMORTIGUADOR SUPERI	1	1	1	1	
42	90386-18M63	BUSH BUJE	2	2	2	2	
43	90386-18M14	BUSH BUJE	2	2	2	2	
44	93410-18M02	CIRCLIP SEGURO	1	1	1	1	
45	90101-12M05	BOLT (L:130MM) TORNILLO (L:130MM)	4	4	4	4	
46	90201-13M01	WASHER, PLATE ARANDELA PLANA	8	8	8	8	
47	90201-12M05	WASHER, PLATE ARANDELA PLANA	4	4	4	4	
48	95380-12600	NUT TUERCA	8	8	8	8	

FIG. 21 BRACKET 2

SOPORTE 2

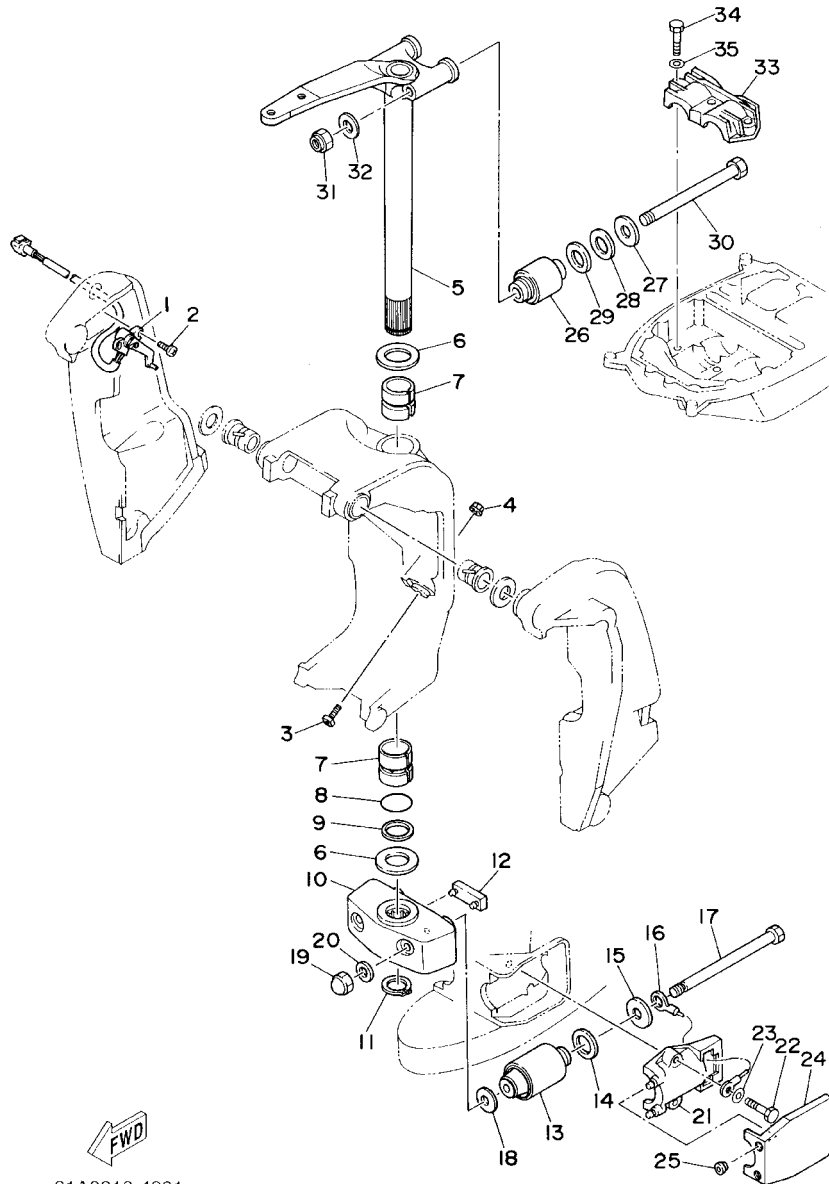


61A0010-4201

REF. NO.	PART NO. CODIGO NO.	DESCRIPTION DESCRIPTION	65J2	65L2	65K2	65M2	REMARKS OBSERVACION
1	61A-83672-02	TRIM SENDER TRANSMISOR DE INCLINADOR	1	1	1	1	
2	97885-06016	SCREW, PAN HEAD TORNILLO A MUESCA	2	2	2	2	
3	61A-43376-00	BOLT, THRUST RECEIVER TORNILLO RECEPTOR	2	2	2	2	
4	95780-10300	NUT, FLANGE TUERCA	2	2	2	2	
5	69J-42510-00-8D	STEERING BRACKET ASSY SOPORTE DIRECCION COMPL.	1	1	1	1	X
6	90201-40M00	WASHER, PLATE ARANDELA PLANA	2	2	2	2	
7	90386-39M89	BUSH BUJE	2	2	2	2	
8	93210-35321	O-RING JUNTA TORICA	1	1	1	1	
9	90202-40M47	WASHER, PLATE ARANDELA DE PLANA	1	1	1	1	
10	61A-44551-01-8D	HOUSING, LOWER MOUNT RUBBER CAJA AMORTIGUADOR INFERIOR HU.	1	1	1	1	
11	93410-37M04	CIRCLIP SEGURO	1	1	1	1	
12	61A-44575-00	DAMPER, LOWER MOUNT RUBBER AMORTIGUADOR INFERIOR	1	1	1	1	
13	61A-44555-01-94	MOUNT DAMPER, LOWER SIDE AMORTIGUADOR DE HULE LADO INFE	2	2	2	2	
14	90202-32M19	WASHER, PLATE ARANDELA DE PLANA	2	2	2	2	
15	90201-16M55	WASHER, PLATE ARANDELA PLANA	2	2	2	2	
16	6E5-82149-00	WIRE, LEAD 3 CABLE CONDUCTOR 3	1	1	1	1	
17	90109-14M48	BOLT PERNO	2	2	2	2	
18	90201-15M58	WASHER, PLATE ARANDELA PLANA	2	2	2	2	
19	95380-14800	NUT TUERCA	2	2	2	2	
20	92995-14600	WASHER ARANDELA	2	2	2	2	
21	61A-44552-01-94	HOUSING, LOWER MOUNT RUBBER CAJA AMORTIGUADOR INFERIOR HU	2	2	2	2	
22	97095-10045	BOLT PERNO	4	4	4	4	
23	92995-10600	WASHER ARANDELA	4	4	4	4	
24	61A-44553-00-8D	COVER, LOWER MOUNT CUBIERTA, AMORTIGUADOR INFERIOR	2	2	2	2	
25	6A0-15789-00	DAMPER AMORTIGUADOR	4	4	4	4	
26	61A-44514-00-94	MOUNT DAMPER, UPPER SIDE AMORTIGUADOR LADO SUPERIOR	2	2	2	2	
27	90201-16M01	WASHER, PLATE ARANDELA PLANA	2	2	2	2	

FIG. 21 BRACKET 2

SOPORTE 2

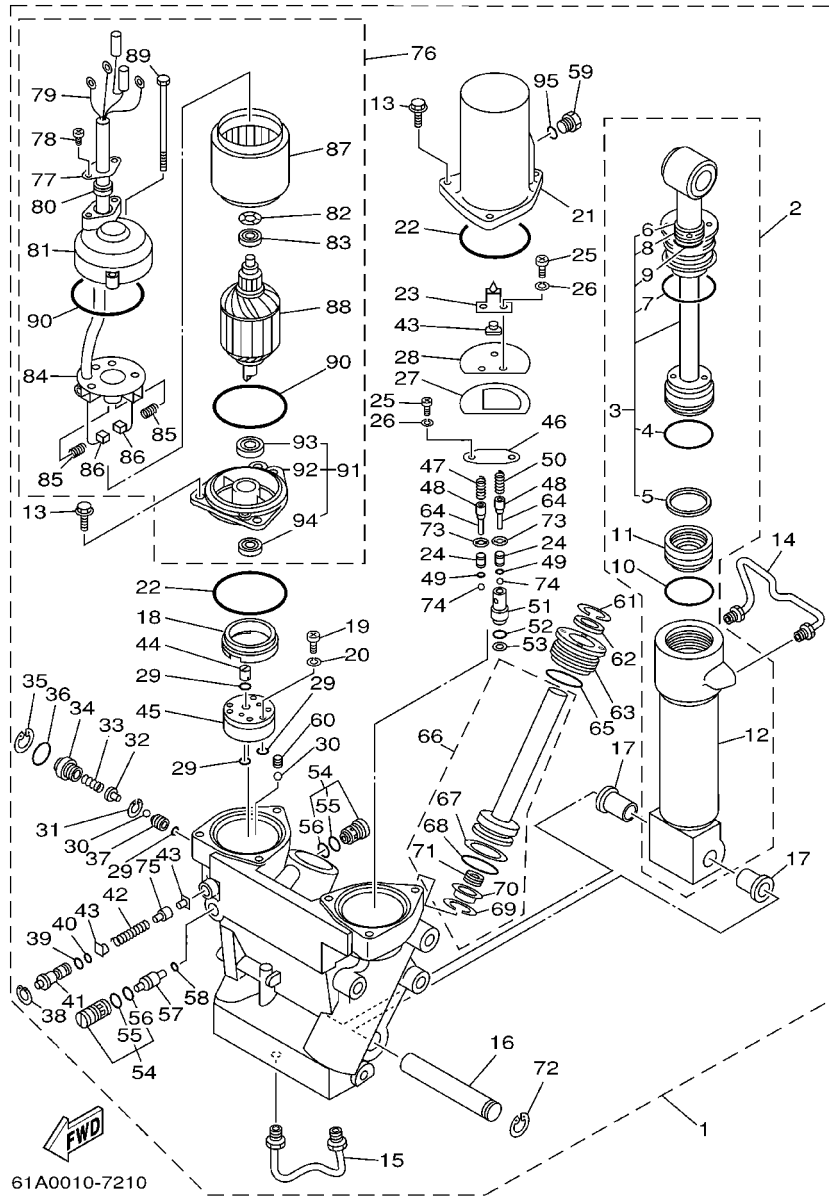


61A0010-4201

REF. NO.	PART NO. CODIGO NO.	DESCRIPTION DESCRIPTION	65J2	65L2	65K2	65M2	REMARKS OBSERVACION
28	90202-28M46	WASHER, PLATE ARANDELA DE PLANA	2	2	2	2	
29	90201-28M01	WASHER, PLATE ARANDELA PLANA	2	2	2	2	
30	90109-14M10	BOLT PERNO	2	2	2	2	
31	90185-14M00	NUT, SELF-LOCKING TUERCA AUTOBLOCANTE	2	2	2	2	
32	92995-14600	WASHER ARANDELA	2	2	2	2	
33	61A-44511-00-94	COVER, UPPER MOUNT CUBIERTA AMORTIGUADOR SUPERIOR	1	1	1	1	
34	97095-10045	BOLT PERNO	3	3	3	3	
35	92995-10600	WASHER ARANDELA	3	3	3	3	

FIG. 22 POWER TRIM & TILT ASSY

COMPONER Y PODER VARILLA



REF. NO.	PART NO. CODIGO NO.	DESCRIPTION DESCRIPTION	65J2	65L2	65K2	65M2	REMARKS OBSERVACION
1	61A-43800-25-4D	POWER TRIM & TILT ASSY ELEVADOR HIDRAULICO COMPL.	1	1	1	1	
2	61A-43840-01	.POWER TILT ASSY .CONJUNTO COMPONER	1	1	1	1	
3	61A-43810-00	..TILT PISTON SUB ASSY ..ELEVADOR SUB-PISTON COMPL.	1	1	1	1	
4	61A-43861-00	...O-RING ...ANILLO EN O 1	1	1	1	1	
5	61A-43871-00	...RING, BACK UP ...ANILLO	1	1	1	1	
6	93106-19N50	...OIL SEAL ...RETEN DE ACEITE	1	1	1	1	
7	6H1-43861-00	...O-RING ...ANILLO EN O 1	1	1	1	1	
8	6H1-43872-00	...RING, BACK UP ...ANILLO	1	1	1	1	
9	61A-4389H-00	...O-RING ...ANILLO EN O	1	1	1	1	
10	61A-43861-00	..O-RING ..ANILLO EN O 1	1	1	1	1	
11	6H1-43814-00	..PISTON, FREE ..PISTON LIBRE	1	1	1	1	
12	61A-43813-01	..CYLINDER, TILT ..CILINDRO INCLINACION	1	1	1	1	
13	97595-06420	.BOLT, WITH WASHER .PERNO CON ARANDELA RONDELLE	6	6	6	6	
14	61A-43835-01	.PIPE .TUBO 3	1	1	1	1	
15	61A-43833-01	.PIPE .TUBO 1	1	1	1	1	
16	61A-43818-00	.PIN, LOWER SHOCK MOUNT .PASADOR AMORTIGUADOR INFERIOR	1	1	1	1	
17	90386-18M14	.BUSH .BUJE	2	2	2	2	
18	6H1-43817-00	.FILTER 2 .FILTRO 2	1	1	1	1	
19	98501-04030	.SCREW, PAN HEAD .TORNILLO DE CABEZA CRUZADA	3	3	3	3	
20	92901-04100	.WASHER, SPRING .ARANDELA GROWER	3	3	3	3	
21	61A-43828-00	.BODY, RESERVOIR .CUERPO DEPOSITO	1	1	1	1	
22	6H1-43869-00	.O-RING ..ANILLO EN O 9	2	2	2	2	
23	61A-4384L-00	.SPRING, TRIM DOWN .RESORTE	1	1	1	1	
24	6T4-43851-00	.SEAT, RELIEF VALVE .ASIENTO VALVULA DE DESCARGA	2	2	2	2	
25	98501-05010	.SCREW, PAN HEAD .TORNILLO DE CABEZA CRUZADA	4	4	4	4	
26	92901-05100	.WASHER, SPRING .ARANDELA GROWER	4	4	4	4	
27	61A-4384K-00	.PLATE, TRIM DOWN .PLACA	1	1	1	1	

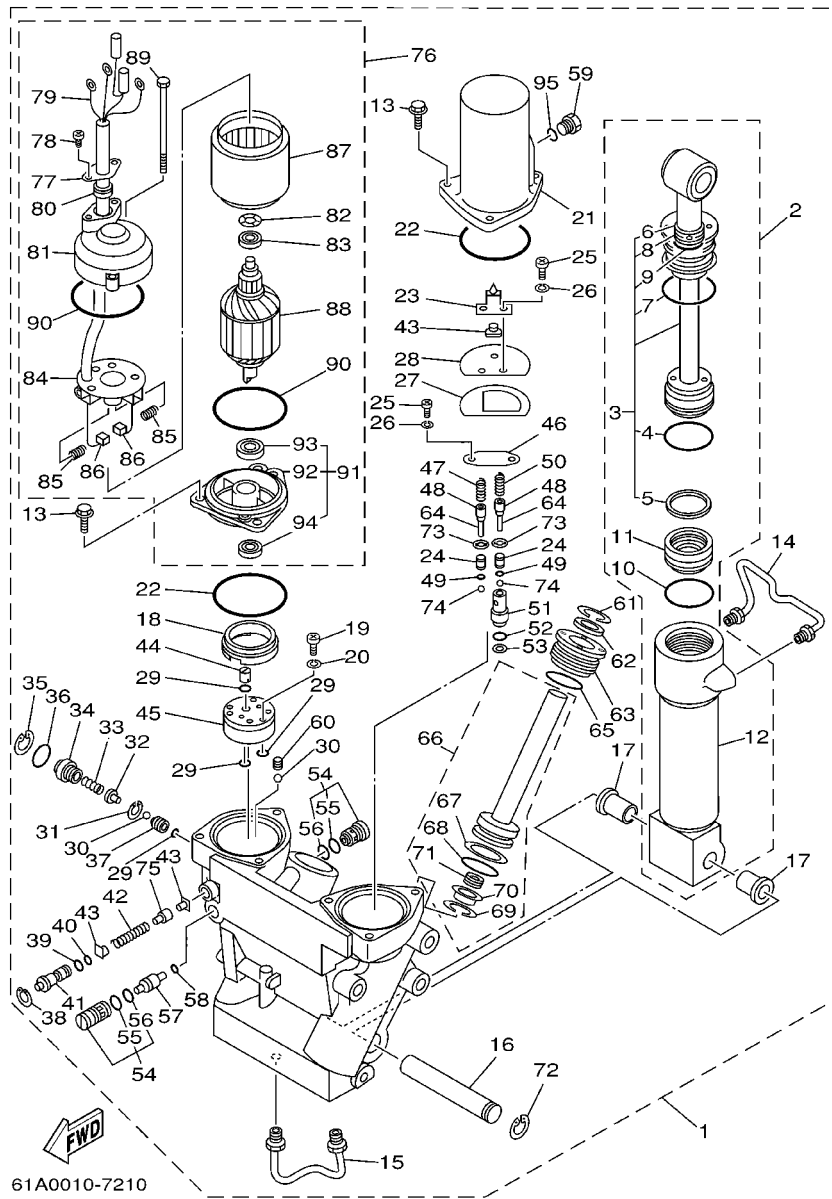


FIG. 22 POWER TRIM & TILT ASSY COMPONER Y PODER VARILLA

REF. NO.	PART NO. CODIGO NO.	DESCRIPTION DESCRIPTION	65J2	65L2	65K2	65M2	REMARKS OBSERVACION
28	61A-4384J-00	.SEAL, TRIM DOWN .SELLO	1	1	1	1	
29	93210-064A5	.O-RING .JUNTA TORICA	4	4	4	4	
30	93505-32038	.BALL .ESFERA	2	2	2	2	
31	61A-43875-00	.RING, SNAP .ANILLO	1	1	1	1	
32	61A-43848-00	.ROD, MANUAL RELEASE .VARILLA DESCOPLO MANUAL	1	1	1	1	
33	61A-43854-00	.SPRING, MANUAL RELEASE .RESORTE DESCOPLO MANUAL	1	1	1	1	
34	61A-43845-00	.SCREW, MANUAL RELEASE .TORNILLO DESCOPLO MANUAL	1	1	1	1	
35	6H1-43875-00	.RING, SNAP .ANILLO	1	1	1	1	
36	93210-18397	.O-RING .JUNTA TORICA	1	1	1	1	
37	61A-43847-00	.SEAT, MANUAL VALVE .ASIENTO VALVULA MANUAL	1	1	1	1	
38	6T4-43876-00	.RING, SNAP .ANILLO	1	1	1	1	
39	93210-07003	.O-RING .JUNTA TORICA	1	1	1	1	
40	93210-06001	.O-RING .JUNTA TORICA	1	1	1	1	
41	6T4-43849-00	.PIN, VALVE SUPPORT .PASADOR VALVULA SOPORTE	1	1	1	1	
42	61A-4385H-00	.SPRING, SEAL .RESORTE	1	1	1	1	
43	6H1-4384F-00	.SEAL, MAIN VALVE .ASIENTO	3	3	3	3	
44	6H1-43831-00	.CONNECTOR, SHAFT .CONEXION EJE	1	1	1	1	
45	6T4-43830-00	.GEAR PUMP ASSY .ENGRANAJE BOMBA COMPL.	1	1	1	1	
46	61A-4382K-00	.CAP, RELIEF VALVE .CASQUILLO	1	1	1	1	
47	6H1-43856-10	.SPRING, DOWN RELIEF .RESORTE SEGURIDAD	1	1	1	1	
48	6T4-43844-00	.PIN, VALVE SUPPORT .PASADOR VALVULA SOPORTE	2	2	2	2	
49	6T4-4384G-00	.SEAL, RELIEF VALVE .ASIENTO	2	2	2	2	
50	6T4-43855-00	.SPRING, UP RELIEF .RESORTE SEGURIDAD SUPERIOR	1	1	1	1	
51	6T4-43895-00	.SEAT, RELIEF VALVE .ASIENTO	1	1	1	1	
52	93210-10M74	.O-RING .JUNTA TORICA	1	1	1	1	
53	6H1-43816-00	.FILTER 1 .FILTRO 1	1	1	1	1	
54	6T4-43802-03	.VALVE SUB ASSY .VALVULA PRINCIPAL COMPL.	2	2	2	2	

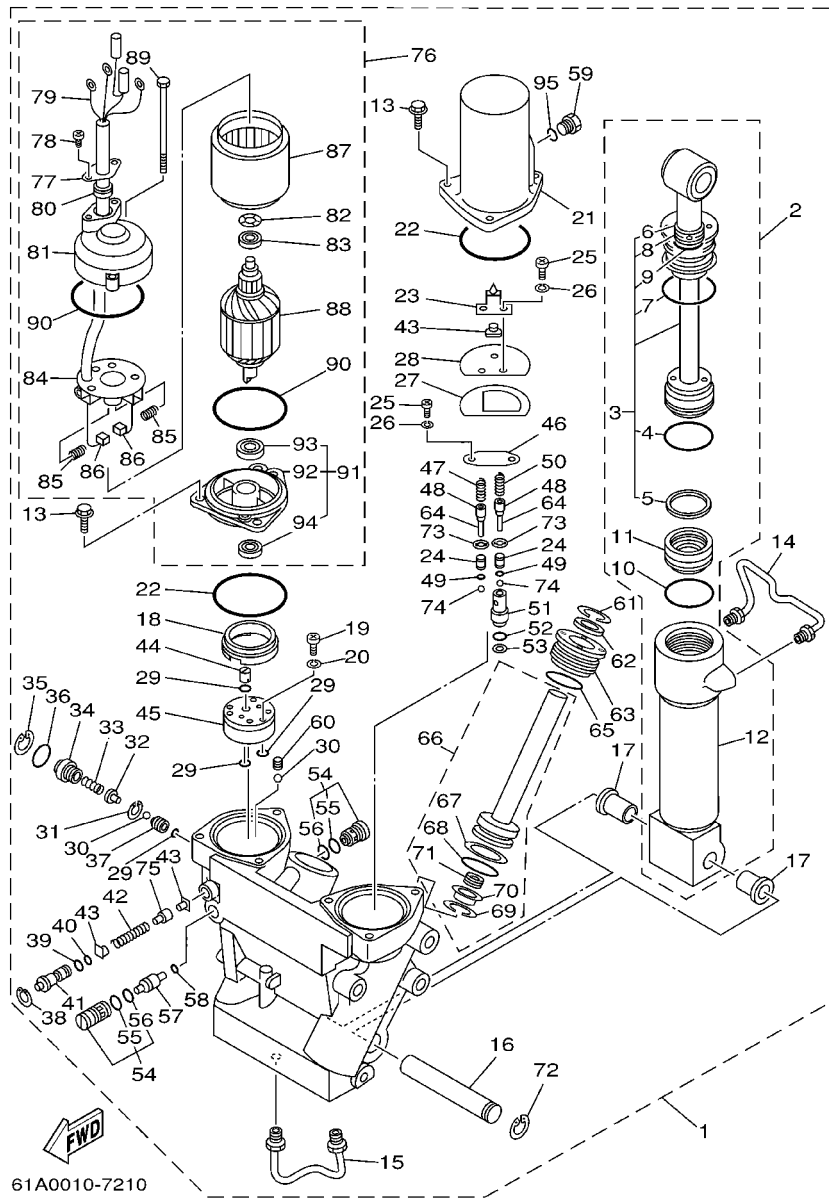
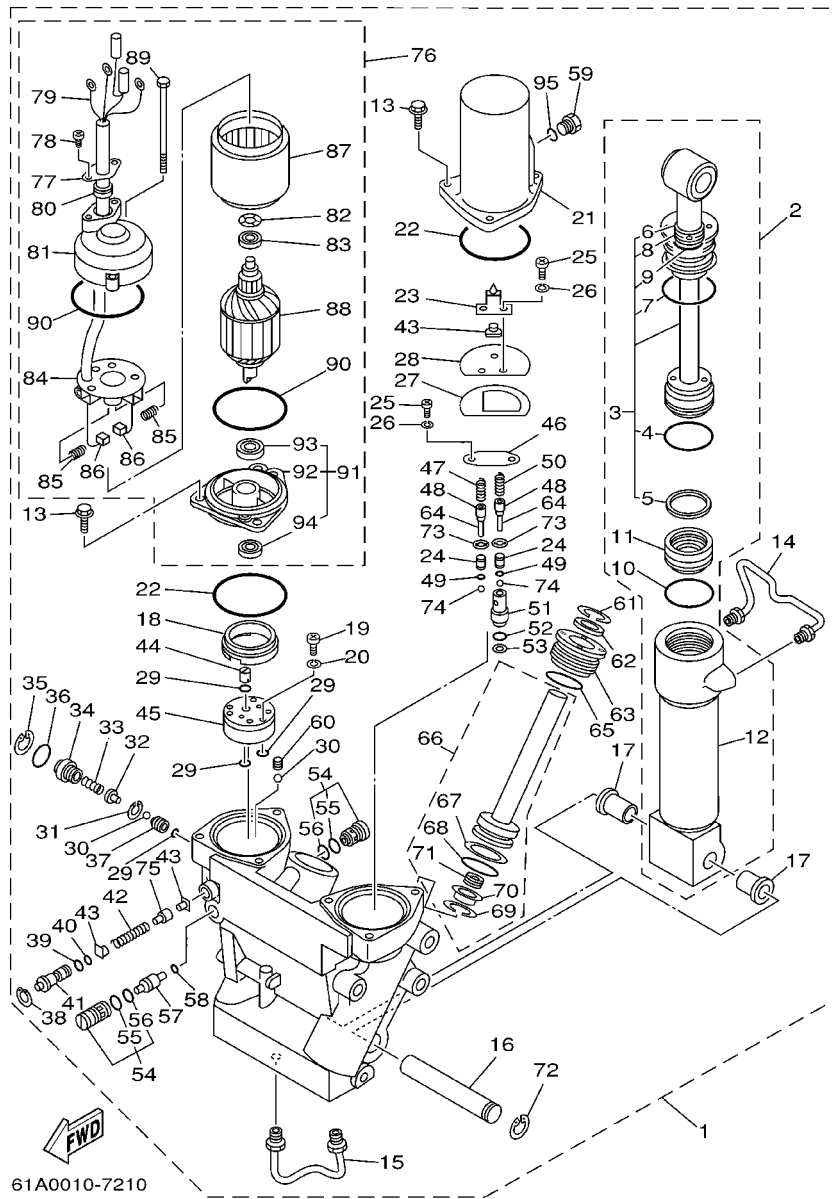


FIG. 22 POWER TRIM & TILT ASSY COMONER Y PODER VARILLA

REF. NO.	PART NO. CODIGO NO.	DESCRIPTION DESCRIPTION	65J2	65L2	65K2	65M2	REMARKS OBSERVACION
55	6H1-43866-00	..O-RING ..ANILLO EN O 6	1	1	1	1	
56	6H1-43867-00	..O-RING ..ANILLO EN O 7	1	1	1	1	
57	6T4-43841-00	..PISTON, SHUTTLE ..PISTON	1	1	1	1	
58	93210-09165	..O-RING ..JUNTA TORICA	1	1	1	1	
59	6H1-43829-00	..PLUG, RESERVOIR ..TAPON DEPOSITO	1	1	1	1	
60	61A-43878-00	..BOLT, SOCKET ..TORNILLO ENCASTRE	1	1	1	1	
61	6T4-43875-00	..RING, SNAP ..ANILLO	2	2	2	2	
62	61A-43822-00	..SEAL, TRIM DUST ..SELLO DE POLVO	2	2	2	2	
63	61A-43821-00	..SCREW, TRIM CYLINDER END ..TORNILLO CILINDURO EXTREMO	2	2	2	2	
64	91609-10014	..PIN, SPRING ..PASADOR DE RESORTE	2	2	2	2	
65	61A-43861-00	..O-RING ..ANILLO EN O 1	2	2	2	2	
66	61A-43820-10	..TRIM PISTON SUB ASSY ..ELEVADOR PISTON COMPL.	2	2	2	2	
67	61A-43874-00	..RING, BACK UP ..ANILLO	1	1	1	1	
68	61A-43864-00	..O-RING ..ANILLO EN O 4	1	1	1	1	
69	61A-43875-10	..RING, SNAP ..ANILLO	1	1	1	1	
70	61A-4383H-11	..HOSE, OIL 5 ..TUBO 5	1	1	1	1	
71	61A-4384H-10	..SPRING ..RESORTE	1	1	1	1	
72	61A-43876-00	..RING, SNAP ..ANILLO	1	1	1	1	
73	6T4-43893-00	..WASHER ..RONDANA	2	2	2	2	
74	93501-08001	..BALL ..ESFERA	2	2	2	2	
75	61A-4382A-00	..ADAPTOR 1 ..ADAPTADOR 1	1	1	1	1	
76	61A-43880-02	..MOTOR ASSY ..MOTOR COMPL.	1	1	1	1	
77	6T4-4386J-00	..WASHER, SPECIAL ..ARANDELA, ESPECIAL	1	1	1	1	
78	90157-05107	..SCREW, PAN HEAD ..TORNILLO CABEZA CONICA PLAN	2	2	2	2	
79	61A-43807-00	..WIRE SUB ASSY ..CABLE COMPL.	1	1	1	1	
80	6T4-43885-00	..GRÖMMET ..ARANDELA DE REFUERZO	1	1	1	1	
81	61A-43884-01	..FRAME, COMMUTATOR END ..CUADRO	1	1	1	1	



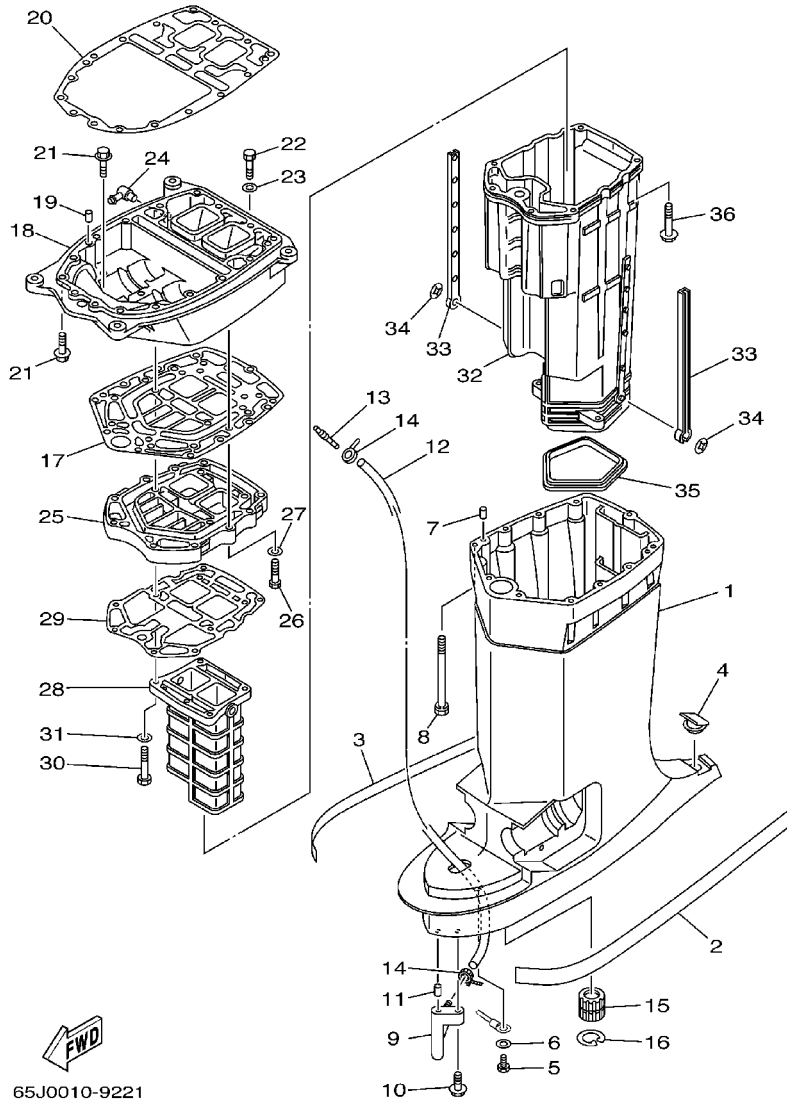
61A0010-7210

FIG. 22 POWER TRIM & TILT ASSY COMPONER Y PODER VARILLA

REF. NO.	PART NO. CODIGO NO.	DESCRIPTION DESCRIPTION	65J2	65L2	65K2	65M2	REMARKS OBSERVACION
82	90206-14086	..WASHER, WAVE ..ARANDELA ONDULADA	3	3	3	3	
83	93300-60820	..BEARING ..COJINETE	1	1	1	1	
84	61A-43806-00	..BRUSH HOLDER ASSY ..ESCOBILLA SOSTEN COMPL.	1	1	1	1	
85	61A-4386K-00	..SPRING, BRUSH ..RESORTE, ESCOBILLA	4	4	4	4	
86	61A-43891-00	..BRUSH 1 ..ESCOBILLA 1	2	2	2	2	
87	61A-43804-01	..STATOR ASSY ..ESTATOR COMPL	1	1	1	1	
88	61A-43805-01	..ARMATURE ASSY ..INDUCIDO COMPL.	1	1	1	1	
89	61A-43887-00	..BOLT, THROUGH ..TORNILLO	2	2	2	2	
90	93210-72789	..O-RING ..JUNTA TORICA	2	2	2	2	
91	61A-43881-01	..FRAME, END ..CUADRO EXTERMO	1	1	1	1	
92	61A-43881-11	...FRAME, END ...CUADRO EXTERMO	1	1	1	1	
93	93300-60820	..BEARING ..COJINETE	1	1	1	1	
94	93102-08414	...OIL SEAL ...RETEN DE ACEITE	1	1	1	1	
95	93210-09165	..O-RING ..JUNTA TORICA	1	1	1	1	

FIG. 23 UPPER CASING

FUNDA SUPERIOR

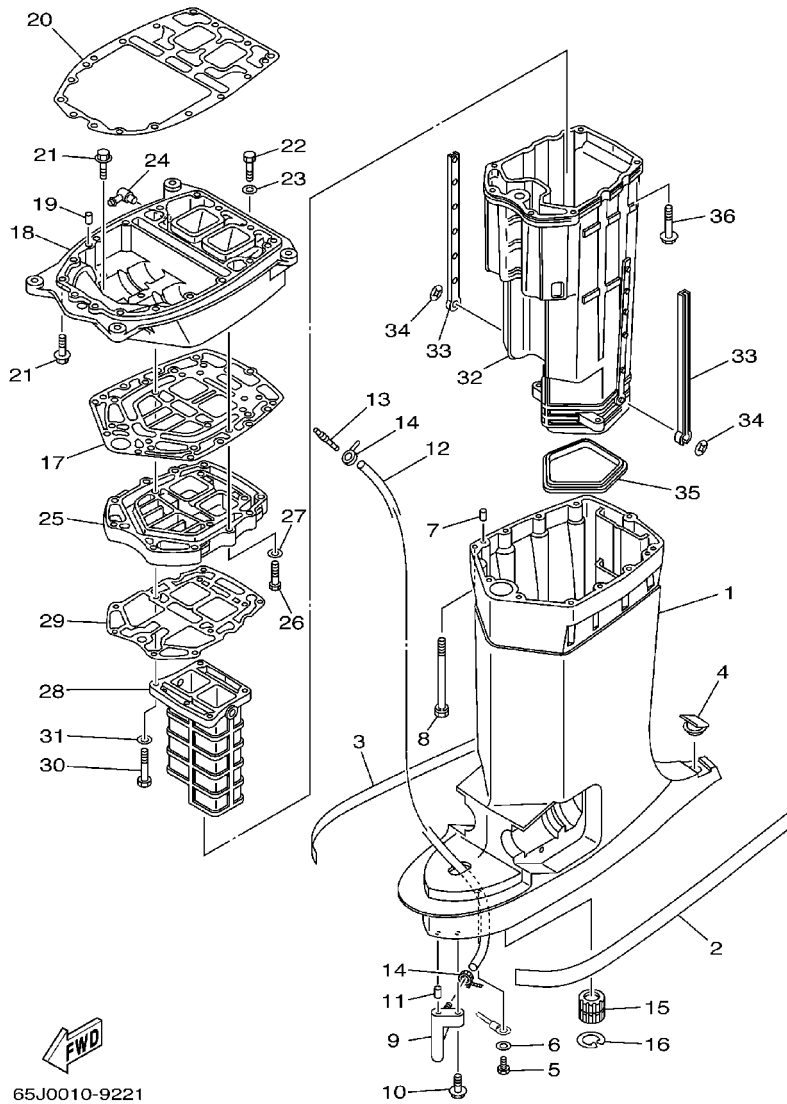


65J0010-9221

REF. NO.	PART NO. CODIGO NO.	DESCRIPTION DESCRIPTION	65J2	65L2	65K2	65M2	REMARKS OBSERVACION
1	61A-45111-22-8D	CASING, UPPER CAJA SUPERIOR	1	1	1	1	X
2	61A-42791-S0	MARK 1 MARCA 1	1	1	1	1	
3	61A-42792-S0	MARK MARCA	1	1	1	1	
4	61A-45155-00	CAP TAPA	1	1	1	1	
5	97095-06010	BOLT PERNO	1	1	1	1	
6	92995-06600	WASHER ARANDELA	1	1	1	1	
7	93608-12M05	PIN, DOWEL PASADOR DE CLAVIJA	2	2	2	2	
8	90119-08M78	BOLT, WITH WASHER TORNILLO CON ARANDELA	8	8	8	8	
9	61A-45378-00	NIPPLE, HOSE NIPLE MANGUERA	1	1	1	1	
10	90119-06M17	BOLT, WITH WASHER TORNILLO CON ARANDELA	1	1	1	1	
11	93606-12019	PIN, DOWEL PASADOR DE CLAVIJA	1	1	1	1	
12	90445-07MF0	HOSE (L1030) TUBO (L1030)	1	1	1	1	X
13	6E5-83558-00	END, NIPPLE EXTREMO DE NIPLE	1	1	1	1	
14	90465-11M10	CLAMP BRIDA	2	2	2	2	
15	6E5-45318-00	BUSHING, DRIVE SHAFT BUJE, EJE DE MANDO	1	1	1	1	
16	93420-36M01	CIRCLIP BOLA	1	1	1	1	
17	61A-45114-A0	GASKET, UPPER CASING EMPAQUE	1	1	1	1	
18	61A-41137-13-94	GUIDE, EXHAUST GUIA DE ESCAPE	1	1	1	1	FLUSHING KIT
19	93608-12M05	PIN, DOWEL PASADOR DE CLAVIJA	2	2	2	2	
20	61A-45113-A0	GASKET, UPPER CASING EMPAQUE	1	1	1	1	
21	90119-08M79	BOLT, WITH WASHER TORNILLO CON ARANDELA	8	8	8	8	
22	97095-08035	BOLT PERNO	1	1	1	1	
23	92995-08600	WASHER ARANDELA	1	1	1	1	
24	6H1-11372-00	NIPPLE, HOSE NIPLE DE MANGUERA	1	1	1	1	FLUSHING KIT
25	61A-41131-00-5B	MANIFOLD, EXT. 1 TUBO MULTIPLE DE ESCAPE	1	1	1	1	
26	97095-08035	BOLT PERNO	4	4	4	4	
27	92995-08600	WASHER ARANDELA	4	4	4	4	

FIG. 23 UPPER CASING

FUNDA SUPERIOR

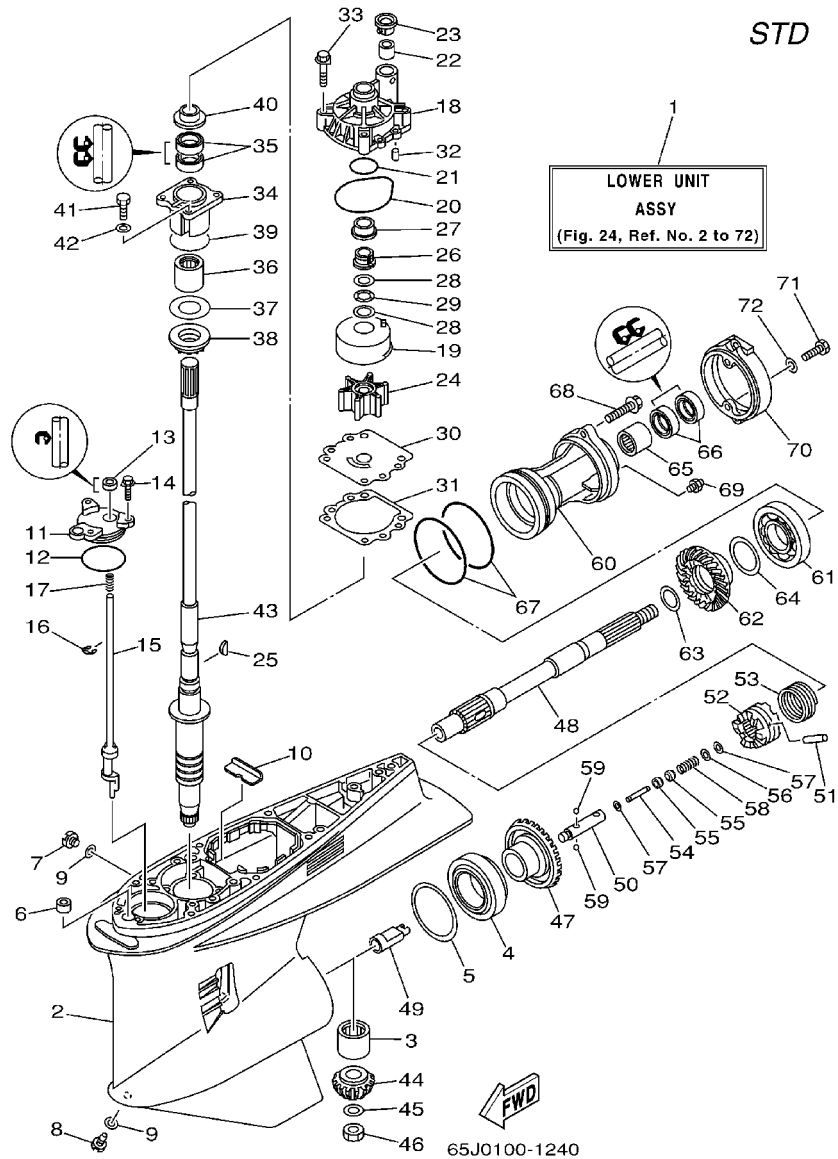



65J0010-9221

REF. NO.	PART NO. CODIGO NO.	DESCRIPTION DESCRIPTION	65J2	65L2	65K2	65M2	REMARKS OBSERVACION
28	61A-41132-01-5B	MANIFOLD, EXHAUST TUBO MULTIPLE DE ESCAPE	1	1	1	1	
29	61A-41134-A0	GASKET, EXHAUST MANIFOLD EMPAQUE	1	1	1	1	
30	97095-08050	BOLT PERNO	4	4	4	4	
31	92995-08600	WASHER ARANDELA	4	4	4	4	
32	61A-14711-22-5B	MUFFLER 1 SILENCIADOR 1	1	1	1	1	
33	6E5-14737-00	DAMPER, MUFFLER AMORTIGUADOR DE SILENCIADOR	2	2	2	2	
34	90183-05M02	NUT, SPRING TUERCA DE RESORTE	2	2	2	2	
35	61A-45123-01	GASKET, MUFFLER EMPAQUE SILENCIADOR	1	1	1	1	
36	90119-08M74	BOLT, WITH WASHER TORNILLO CON ARANDELA	6	6	6	6	

FIG. 24 LOWER CASING. DRIVE 1

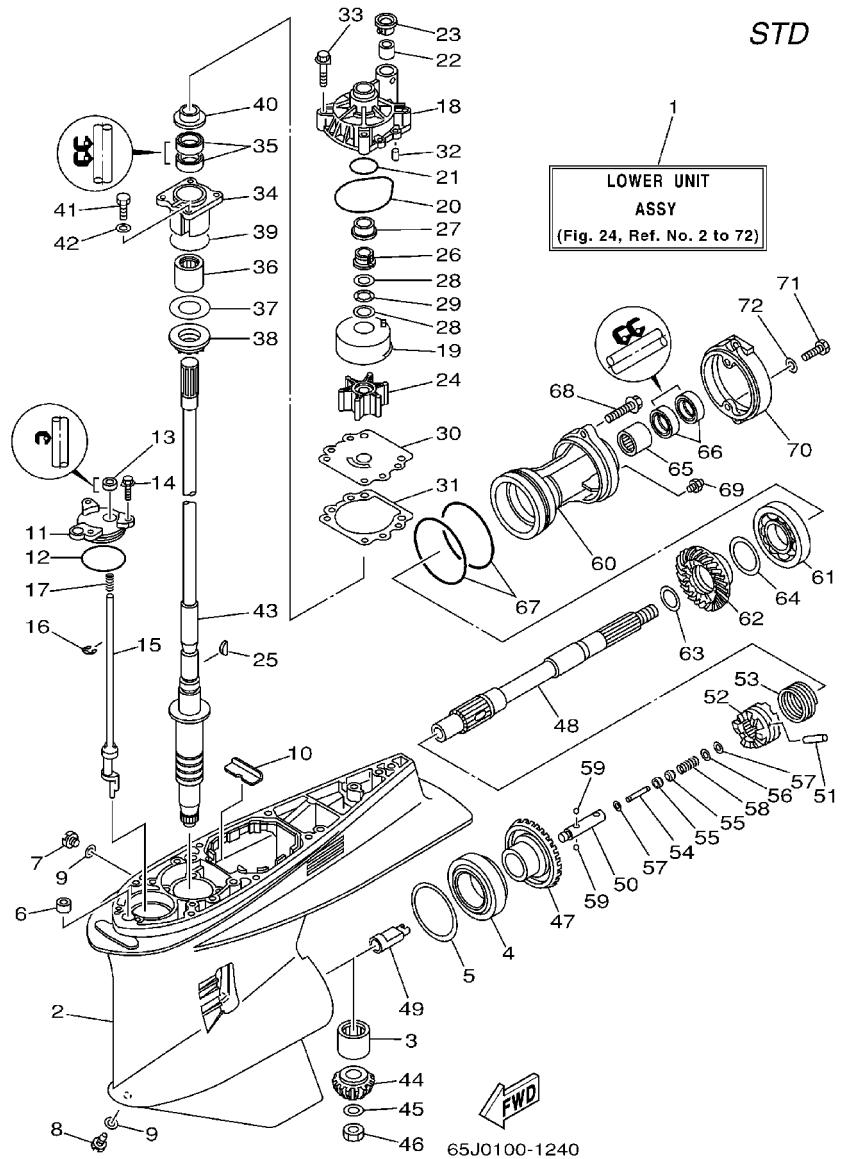
IMPULSOR E INFERIOR 1



REF. NO.	PART NO. CODIGO NO.	DESCRIPTION DESCRIPTION	65J2	65L2	65K2	65M2	REMARKS OBSERVACION
1	65J-45300-21-8D	LOWER UNIT ASSY CONJUNTO UNIDAD INFERIOR	1	1			X
2	61A-45301-10-8D	CASING, LOWER FUNDA INFERIOR COMPLETA	1	1			
3	93311-83280	BEARING COJINETE DE RODILLOS	1	1			
4	93332-000W1	BEARING COJINETE DE RODILLOS AHUSADO	1	1			
5	61A-45567-00-10	SHIM (T:0.10MM) LAINA (T:0.10MM)	1	1			UR
61A-45567-00-12	SHIM (T:0.12MM) LAINA (T:0.12MM)	1	1			UR	
61A-45567-00-15	SHIM (T:0.15MM) LAINA (T:0.15MM)	1	1			UR	
61A-45567-00-18	SHIM (T:0.18MM) LAINA (T:0.18MM)	1	1			UR	
61A-45567-00-30	SHIM (T:0.30MM) LAINA (T:0.30MM)	1	1			UR	
61A-45567-00-40	SHIM (T:0.40MM) LAINA (T:0.40MM)	1	1			UR	
61A-45567-00-50	SHIM (T:0.50MM) LAINA (T:0.50MM)	1	1			UR	
6	663-44366-00	DAMPER, WATER SEAL GOMA DEL SELLO DE AGUA	1	1			
7	90340-08002	PLUG, STRAIGHT SCREW TORNILLO, DE DRENAJE	1	1			
8	688-45341-10	PLUG, DRAIN TAPON, DREN	1	1			
9	90430-08020	GASKET JUNTA	2	2			
10	61A-45376-00-94	GUIDE, SEAL DAMPER GUIA DE SELLO GOMA	1	1			
11	61A-45321-01	PLATE PLACA	1	1			
12	93210-64488	O-RING JUNTA TORICA	1	1			
13	93106-09014	OIL SEAL RETEN DE ACEITE	1	1			
14	90119-06M10	BOLT, WITH WASHER TORNILLO CON ARANDELA	3	3			
15	60V-44150-00	SHIFT CAM ASSY CONJUNTO EJE LEVA COMPL.	1	1			
16	99001-08600	CIRCLIP PRESILLA REDONDA	1	1			
17	90501-11M10	SPRING, COMPRESSION RESORTE DE COMPRESION	1	1			
18	61A-44311-01	HOUSING, WATER PUMP CAJA BOMBA DE AGUA	1	1			
19	61A-44322-02	INSERT, CARTRIDGE CARTUCHO	1	1			
20	93210-86M38	O-RING JUNTA TORICA	1	1			
21	93210-37160	O-RING JUNTA TORICA	1	1			

FIG. 24 LOWER CASING. DRIVE 1

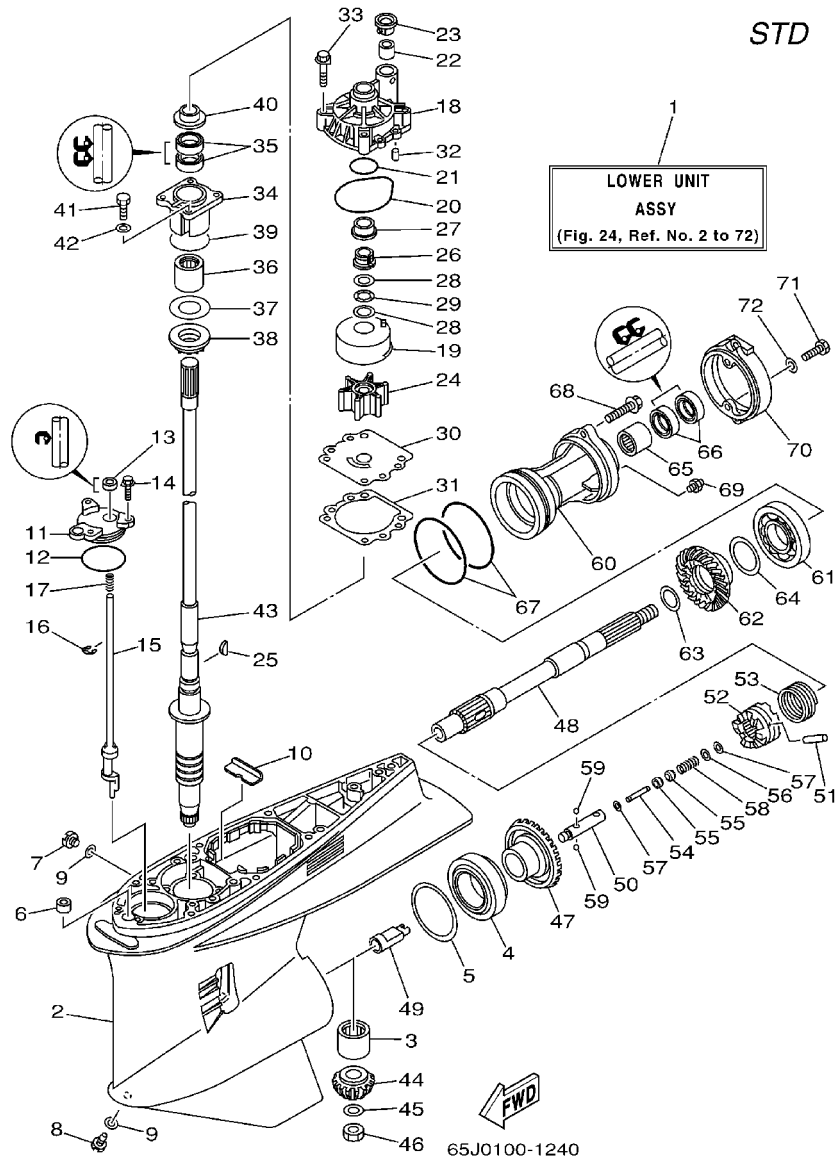
IMPULSOR E INFERIOR 1



REF. NO.	PART NO. CODIGO NO.	DESCRIPTION DESCRIPTION	65J2	65L2	65K2	65M2	REMARKS OBSERVACION
22	6E5-44365-00	DAMPER, WATER SEAL HULE DE SELLO DE AGUA	1	1			
23	6E5-44312-00	COVER, WATER PUMP HOUSING CUBIERTA CAJA BOMBA DE AGUA	1	1			
24	6E5-44352-01	IMPELLER IMPULSOR	1	1			
25	90280-04M05	KEY, WOODRUFF CUNA WOODRUFF	1	1			
26	61A-45538-00	SPACER 1 ESPACIADOR 1	1	1			
27	61A-45527-00	COLLAR, DRIVE SHAFT COLLAR EJE FLECHA DE PROPULSION	1	1			
28	90201-22M01	WASHER, PLATE ARANDELA PLANA	2	2			
29	90206-22M19	WASHER, WAVE ARANDELA ONDULADA	1	1			
30	6G5-44323-00	OUTER PLATE, CARTRIDGE PLACA EXTERIOR DEL CARTUCHO	1	1			
31	6E5-44315-A0	GASKET, WATER PUMP EMPAQUE	1	1			
32	93606-12019	PIN, DOWEL PASADOR DE CLAVIJA	2	2			
33	90119-08M14	BOLT, WITH WASHER TORNILLO CON ARANDELA	4	4			
34	61A-45331-00-94	HOUSING, BEARING CAJA DE COJINETE	1	1			
35	93101-28M16	OIL SEAL RETEN DE ACEITE	2	2			
36	93317-330U2	BEARING COJINETE DE RODILLOS	1	1			
37	61A-45587-00-10	SHIM (T:0.10MM) LAINA (T:0.10MM)	1	1			UR
	61A-45587-00-12	SHIM (T:0.12MM) LAINA (T:0.12MM)	1	1			UR
	61A-45587-00-15	SHIM (T:0.15MM) LAINA (T:0.15MM)	1	1			UR
	61A-45587-00-18	SHIM (T:0.18MM) LAINA (T:0.18MM)	1	1			UR
	61A-45587-00-30	SHIM (T:0.30MM) LAINA (T:0.30MM)	1	1			UR
	61A-45587-00-40	SHIM (T:0.40MM) LAINA (T:0.40MM)	1	1			UR
	61A-45587-00-50	SHIM (T:0.50MM) LAINA (T:0.50MM)	1	1			UR
38	93341-930U9	BEARING COJINETES CON RODAMIENTOS	1	1			
39	93210-55M14	O-RING JUNTA TORICA	1	1			
40	6E5-45344-00	COVER, OIL SEAL CUBIERTA SELLO ACEITE	1	1			
41	97095-08025	BOLT PERNO	4	4			
42	92995-08600	WASHER ARANDELA	4	4			

FIG. 24 LOWER CASING. DRIVE 1

IMPULSOR E INFERIOR 1



REF. NO.	PART NO. CODIGO NO.	DESCRIPTION DESCRIPTION	65J2	65L2	65K2	65M2	REMARKS OBSERVACION
43	61A-45501-20	DRIVE SHAFT COMP. EJE DE MANDO COMPL.	1	1			X
44	61A-45551-03	PINION PINON	1	1			
45	90201-16M00	WASHER, PLATE ARANDELA PLANA	1	1			
46	90170-16M19	NUT TUERCA	1	1			
47	61A-45560-03	GEAR ENGRANE COMPLE 1	1	1			
48	69J-45611-00	SHAFT, PROPELLER EJE PROPUSOR	1	1			
49	61A-45641-02	SHIFTER CAMBIO	1	1			
50	61A-45634-01	SLIDE, SHIFT DESLIZADOR, CAMBIO	1	1			
51	61A-45632-00	PIN, CROSS PASADOR TRANSVERSAL	1	1			
52	61A-45631-03	CLUTCH, DOG EMBRAGUE DE GARRA	1	1			
53	61A-45633-00	RING, CROSS PIN ANILLO DE PASADOR	1	1			
54	6H1-45668-00	SHAFT, FREE EJE	1	1			
55	61A-45635-00	PLUNGER, SHIFT EMBOLO DE CAMBIO	2	2			
56	90201-02M00	WASHER, PLATE ARANDELA PLANA	1	1			
57	90183-02M03	NUT, SPRING TUERCA DE RESORTE	2	2			
58	90501-10M77	SPRING, COMPRESSION RESORTE DE COMPRESION	1	1			
59	93501-04011	BALL ESFERA	2	2			
60	61A-45332-02-94	HOUSING, BEARING CAJA BALERO 2	1	1			
61	93306-210U0	BEARING COJINETE	1	1			
62	61A-45571-00	GEAR ENGRANAJE	1	1			
63	90201-31M00	WASHER, PLATE ARANDELA PLANA	1	1			
64	61A-45577-00-10	SHIM (T:0.10MM) LAINA (T:0.10MM)	1	1			UR
	61A-45577-00-12	SHIM (T:0.12MM) LAINA (:0.12MM)	1	1			UR
	61A-45577-00-15	SHIM (T:0.15MM) LAINA (T:0.15MM)	1	1			UR
	61A-45577-00-18	SHIM (T:0.18MM) LAINA (T:0.18MM)	1	1			UR
	61A-45577-00-30	SHIM (T:0.30MM) LAINA (T:0.30MM)	1	1			UR
	61A-45577-00-40	SHIM (T:0.40MM) LAINA (T:0.40MM)	1	1			UR

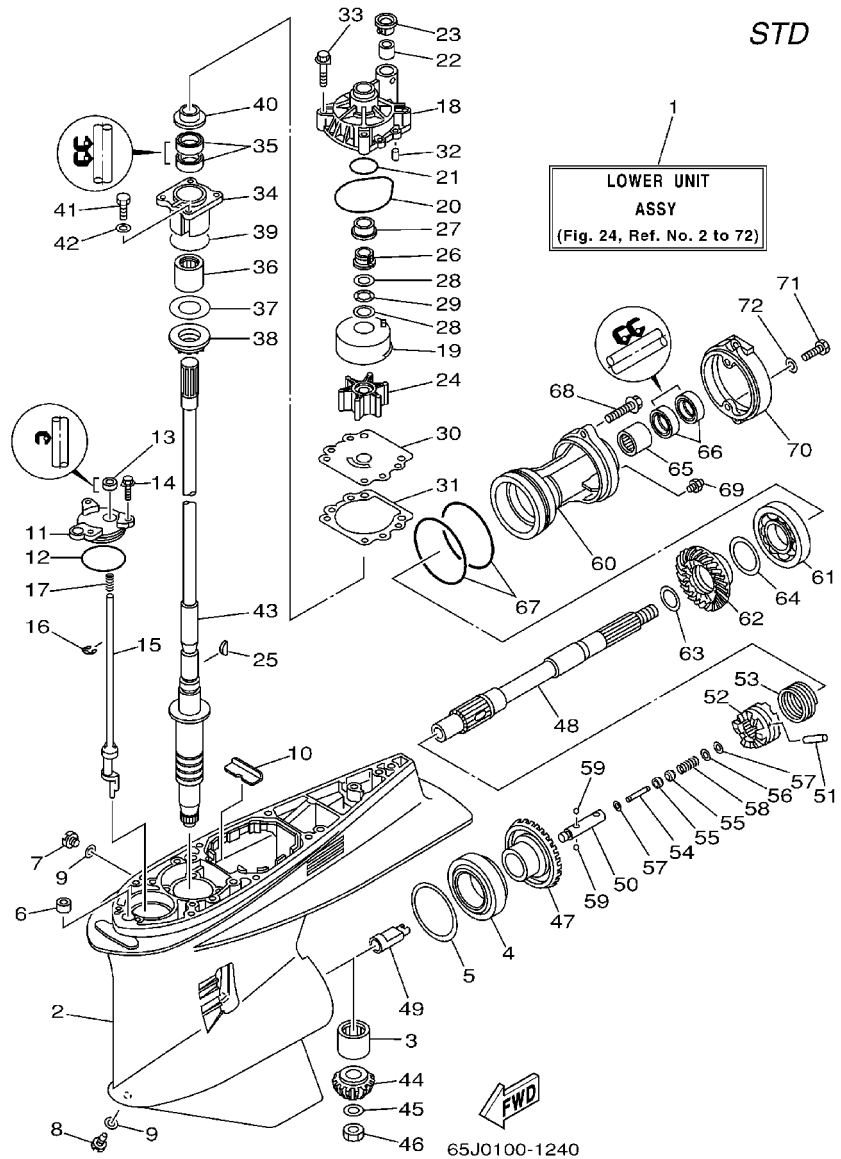


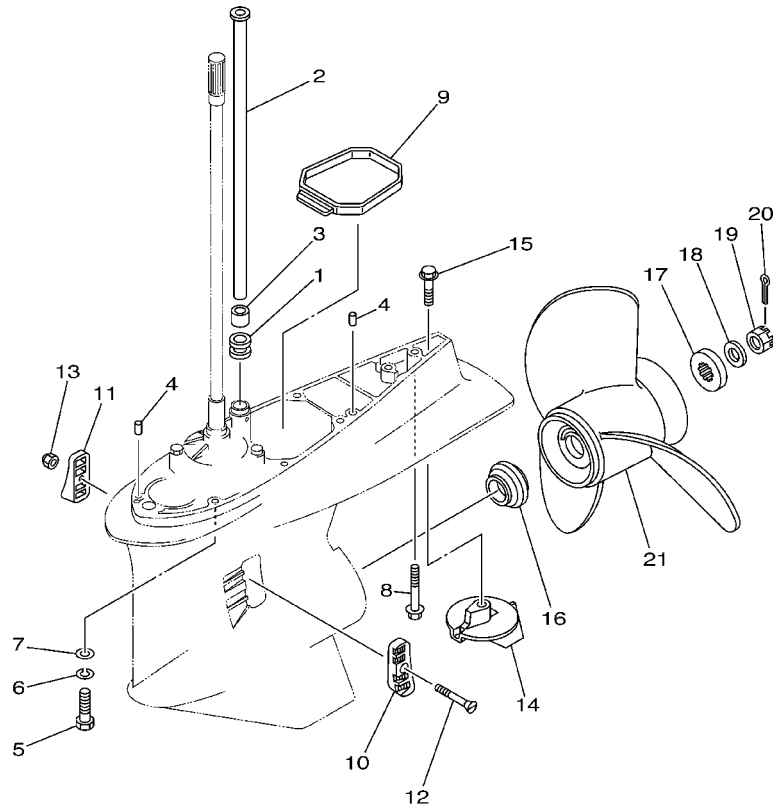
FIG. 24 LOWER CASING. DRIVE 1 IMPULSOR E INFERIOR 1

REF. NO.	PART NO. CODIGO NO.	DESCRIPTION DESCRIPTION	65J2	65L2	65K2	65M2	REMARKS OBSERVACION
64	61A-45577-00-50	SHIM (T:0.50MM) LAINA (T:0.50MM)	1	1			UR
65	93317-330U5	BEARING COJINETE DE RODILLOS	1	1			
66	93101-30M17	OIL SEAL RETEN DE ACEITE	2	2			
67	93211-04384	O-RING ANILLO EN O	2	2			
68	90105-08M48	BOLT, FLANGE TORNILLO	2	2			
69	93700-09M00	NIPPLE, GREASE BOQUILLA DE ENGRASAR	1	1			
70	61A-45361-01-5B	CAP, LOWER CASING FUNDA INFERIOR	1	1			
71	97095-08020	BOLT PERNO	2	2			
72	92995-08600	WASHER ARANDELA	2	2			

FIG. 25 LOWER CASING. DRIVE 2

IMPULSOR E INFERIOR 2

STD

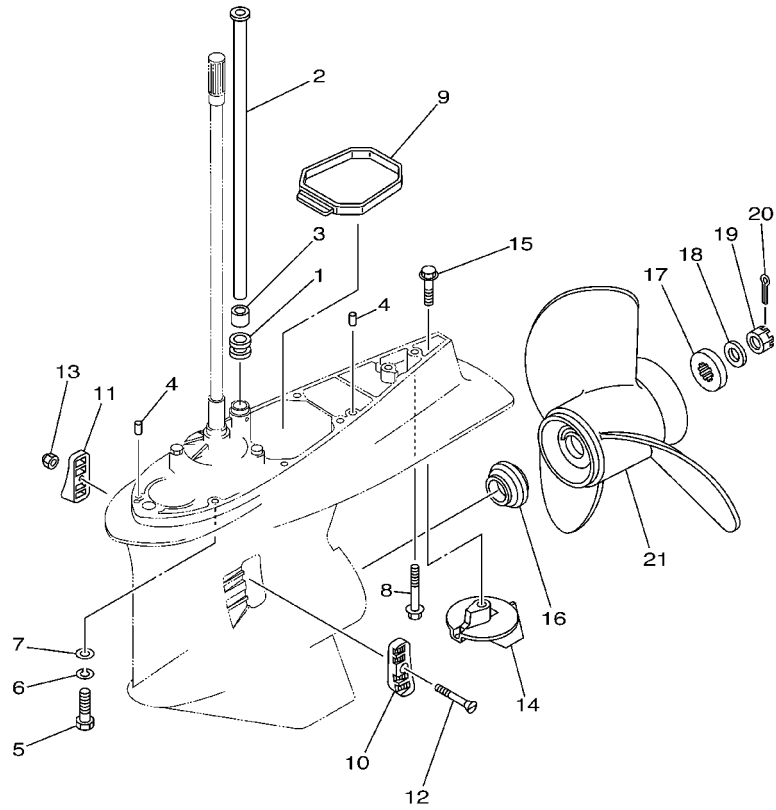


65J2100-3260

REF. NO.	PART NO. CODIGO NO.	DESCRIPTION DESCRIPTION	65J2	65L2	65K2	65M2	REMARKS OBSERVACION
1	6E5-44366-00	DAMPER, WATER SEAL GOMA DEL SELLO DE AGUA	1	1			
2	61A-44361-20	TUBE, WATER TUBO DE AGUA	1	1			X
3	6E5-44365-00	DAMPER, WATER SEAL HULE DE SELLO DE AGUA	1	1			
4	93608-12M05	PIN, DOWEL PASADOR DE CLAVIJA	2	2			
5	97095-10045	BOLT PERNO	7	7			
6	92995-10100	WASHER ARANDELA	7	7			
7	92995-10600	WASHER ARANDELA	7	7			
8	90119-10MA2	BOLT, WITH WASHER TORNILLO CON ARANDELA	1	1			
9	61A-45375-00	DAMPER, SEAL GOMA DE SELLO	1	1			
10	61A-45214-10	COVER, WATER INLET CUBIERTA ENTRADA AGUA	1	1			
11	61A-45215-10	COVER, WATER INLET CUBIERTA ENTRADA AGUA	1	1			
12	90152-05003	SCREW, COUNTERSUNK TORNILLO EMBUTIDO	1	1			
13	90185-05002	NUT, SELF-LOCKING TUERCA AUTOBLOCANTE	1	1			
14	61A-45371-00	TAB-TRIM QUILLA ESTABILIZADOR	1	1			
15	90105-10M00	BOLT, FLANGE TORNILLO	1	1			
16	6E5-45987-01	SPACER ESPACIADOR	1	1			
17	688-45997-01	SPACER ESPACIADOR	1	1			
18	92990-18200	WASHER ARANDELA PLANA	1	1			
19	90171-18M04	NUT, CASTLE TUERCA ENTALLADA	1	1			
20	91490-40030	PIN, COTTER CHAVETA	1	1			
21	6G5-45970-02-98	PROPELLER (3X15-1/4"X15"-M) PROPELA (3X15-1/4"X15"-M)	1	1			UR
	6G5-45972-02-98	PROPELLER (3X13-3/4"X21"-M) PROPELA (3X13-3/4"X21"-M)	1	1			UR
	6G5-45974-03-98	PROPELLER (3X13-3/4"X19"-M2) PROPELA (3X13-3/4"X19"-M2)	1	1			UR
	6G5-45978-03-98	PROPELLER (3X13-3/4"X17"-M2) PROPELA (3X13-3/4"X17"-M2)	1	1			UR
	61A-45972-00-98	PROPELLER (3X14-1/2"X21"-T) PROPELA (3X14-1/2"X21"-T)	1	1			UR
	61A-45974-00-98	PROPELLER (3X14-1/2"X19"-T) PROPELA (3X14-1/2"X19"-T)	1	1			UR
	61A-45978-00-98	PROPELLER (3X15"X17"-T) PROPELA (3X15"X17"-T)	1	1			UR

B7

STD



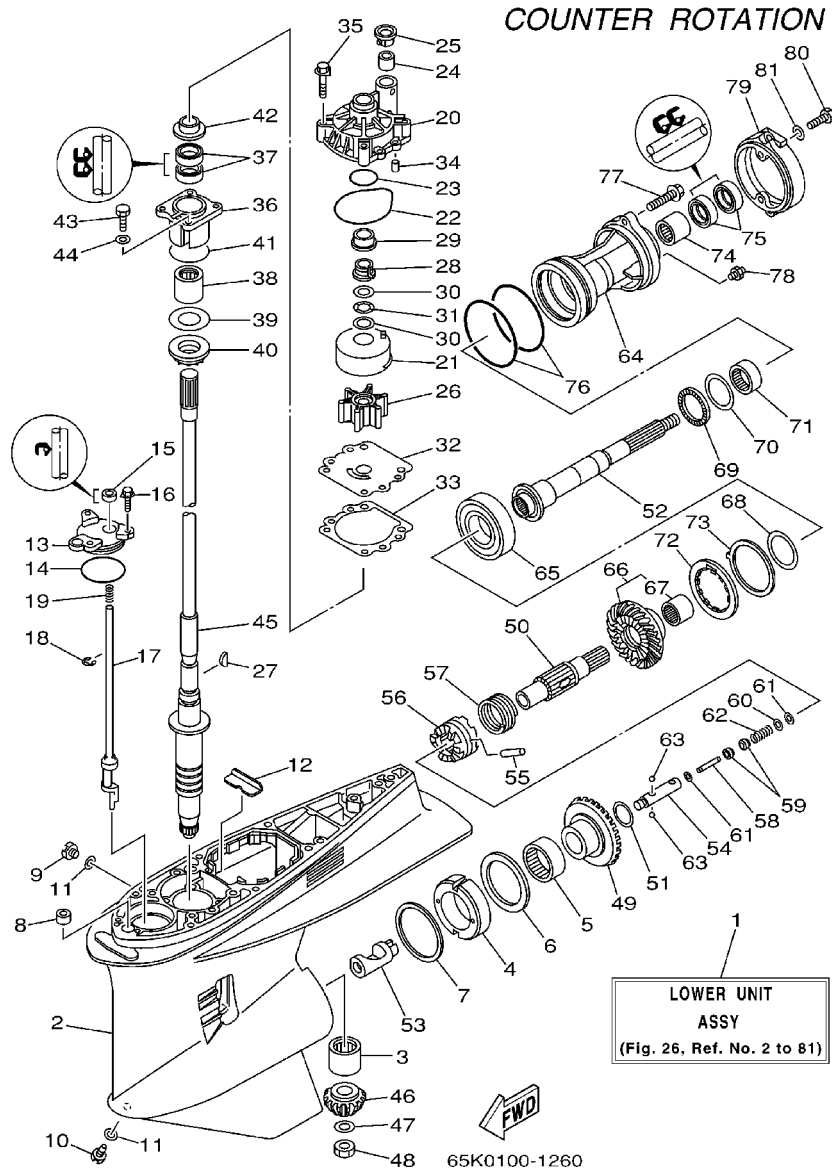

65J2100-3260

FIG. 25 LOWER CASING. DRIVE 2 IMPULSOR E INFERIOR 2

REF. NO.	PART NO. CODIGO NO.	DESCRIPTION DESCRIPTION	65J2	65L2	65K2	65M2	REMARKS OBSERVACION
21	66K-45974-B0	PROPELLER (3X14-1/2"X23"-M2) PROPELA (3X14-1/2"X23"-M2)	1	1			UR

FIG. 26 LOWER CASING. DRIVE 3

IMPULSOR E INFERIOR 3



REF. NO.	PART NO. CODIGO NO.	DESCRIPTION DESCRIPTION	65J2	65L2	65K2	65M2	REMARKS OBSERVACION
1	65K-45300-21-8D	LOWER UNIT ASSY CONJUNTO UNIDAD INFERIOR			1	1	X
2	61A-45301-10-8D	CASING, LOWER FUNDA INFERIOR COMPLETA			1	1	
3	93311-83280	BEARING COJINETE DE RODILLOS			1	1	
4	61B-45538-01	SPACER 1 ESPACIADOR 1			1	1	
5	93315-660W3	BEARING COJINETE DE RODILLOS			1	1	
6	93341-670V0	BEARING COJINETES CON RODAMIENTOS			1	1	
7	61A-45567-00-10	SHIM (T:0.10MM) LAINA (T:0.10MM)			1	1	UR
	61A-45567-00-12	SHIM (T:0.12MM) LAINA (T:0.12MM)			1	1	UR
	61A-45567-00-15	SHIM (T:0.15MM) LAINA (T:0.15MM)			1	1	UR
	61A-45567-00-18	SHIM (T:0.18MM) LAINA (T:0.18MM)			1	1	UR
	61A-45567-00-30	SHIM (T:0.30MM) LAINA (T:0.30MM)			1	1	UR
	61A-45567-00-40	SHIM (T:0.40MM) LAINA (T:0.40MM)			1	1	UR
	61A-45567-00-50	SHIM (T:0.50MM) LAINA (T:0.50MM)			1	1	UR
8	663-44366-00	DAMPER, WATER SEAL GOMA DEL SELLO DE AGUA			1	1	
9	90340-08002	PLUG, STRAIGHT SCREW TORNILLO DE DRENAJE			1	1	
10	688-45341-10	PLUG, DRAIN TAPON, DREN			1	1	
11	90430-08020	GASKET JUNTA			2	2	
12	61A-45376-00-94	GUIDE, SEAL DAMPER GUIA DE SELLO GOMA			1	1	
13	61A-45321-01	PLATE PLACA			1	1	
14	93210-64488	O-RING JUNTA TORICA			1	1	
15	93106-09014	OIL SEAL RETEN DE ACEITE			1	1	
16	90119-06M10	BOLT, WITH WASHER TORNILLO CON ARANDELA			3	3	
17	60W-44150-00	SHIFT CAM ASSY CONJUNTO EJE LEVA COMPL.			1	1	
18	99001-08600	CIRCLIP PRESILLA REDONDA			1	1	
19	90501-11M10	SPRING, COMPRESSION RESORTE DE COMPRESION			1	1	
20	61A-44311-01	HOUSING, WATER PUMP CAJA BOMBA DE AGUA			1	1	
21	61A-44322-02	INSERT, CARTRIDGE CARTUCHO			1	1	

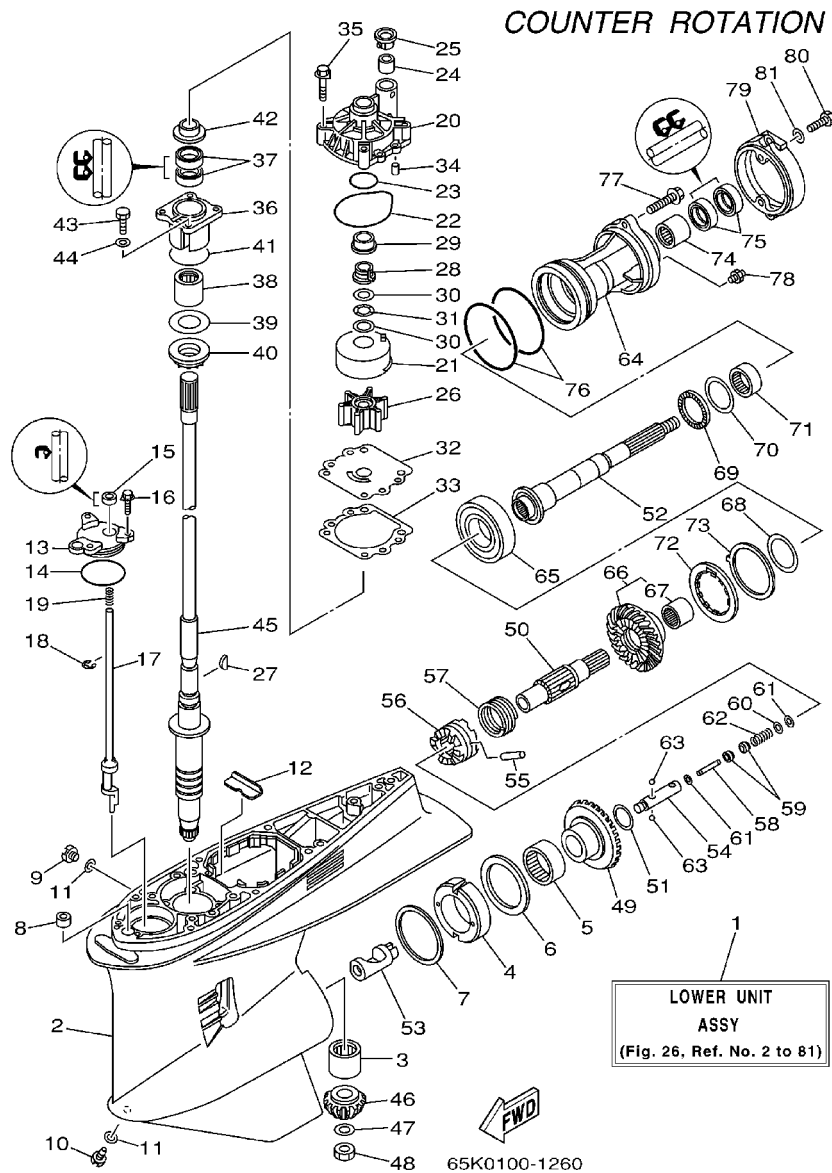


FIG. 26 LOWER CASING. DRIVE 3 IMPULSOR E INFERIOR 3

REF. NO.	PART NO. CODIGO NO.	DESCRIPTION DESCRIPTION	65J2	65L2	65K2	65M2	REMARKS OBSERVACION
22	93210-86M38	O-RING JUNTA TORICA			1	1	
23	93210-37160	O-RING JUNTA TORICA			1	1	
24	6E5-44365-00	DAMPER, WATER SEAL HULE DE SELLO DE AGUA			1	1	
25	6E5-44312-00	COVER, WATER PUMP HOUSING CUBIERTA CAJA BOMBA DE AGUA			1	1	
26	6E5-44352-01	IMPELLER IMPULSOR			1	1	
27	90280-04M05	KEY, WOODRUFF CUNA WOODRUFF			1	1	
28	61A-45538-00	SPACER 1 ESPACIADOR 1			1	1	
29	61A-45527-00	COLLAR, DRIVE SHAFT COLLAR EJE FLECHA DE PROPULSION			1	1	
30	90201-22M01	WASHER, PLATE ARANDELA PLANA			2	2	
31	90206-22M19	WASHER, WAVE ARANDELA ONDULADA			1	1	
32	6G5-44323-00	OUTER PLATE, CARTRIDGE PLACA EXTERIOR DEL CARTUCHO			1	1	
33	6E5-44315-A0	GASKET, WATER PUMP EMPAQUE			1	1	
34	93606-12019	PIN, DOWEL PASADOR DE CLAVIJA			2	2	
35	90119-08M14	BOLT, WITH WASHER TORNILLO CON ARANDELA			4	4	
36	61A-45331-00-94	HOUSING, BEARING CAJA DE COJINETE			1	1	
37	93101-28M16	OIL SEAL RETEN DE ACEITE			2	2	
38	93317-330U2	BEARING COJINETE DE RODILLOS			1	1	
39	61A-45587-00-10	SHIM (T:0.10MM) LAINA (T:0.10MM)			1	1	UR
	61A-45587-00-12	SHIM (T:0.12MM) LAINA (T:0.12MM)			1	1	UR
	61A-45587-00-15	SHIM (T:0.15MM) LAINA (T:0.15MM)			1	1	UR
	61A-45587-00-18	SHIM (T:0.18MM) LAINA (T:0.18MM)			1	1	UR
	61A-45587-00-30	SHIM (T:0.30MM) LAINA (T:0.30MM)			1	1	UR
	61A-45587-00-40	SHIM (T:0.40MM) LAINA (T:0.40MM)			1	1	UR
	61A-45587-00-50	SHIM (T:0.50MM) LAINA (T:0.50MM)			1	1	UR
40	93341-930U9	BEARING COJINETES CON RODAMIENTOS			1	1	
41	93210-55M14	O-RING JUNTA TORICA			1	1	
42	6E5-45344-00	COVER, OIL SEAL CUBIERTA SELLO ACEITE			1	1	

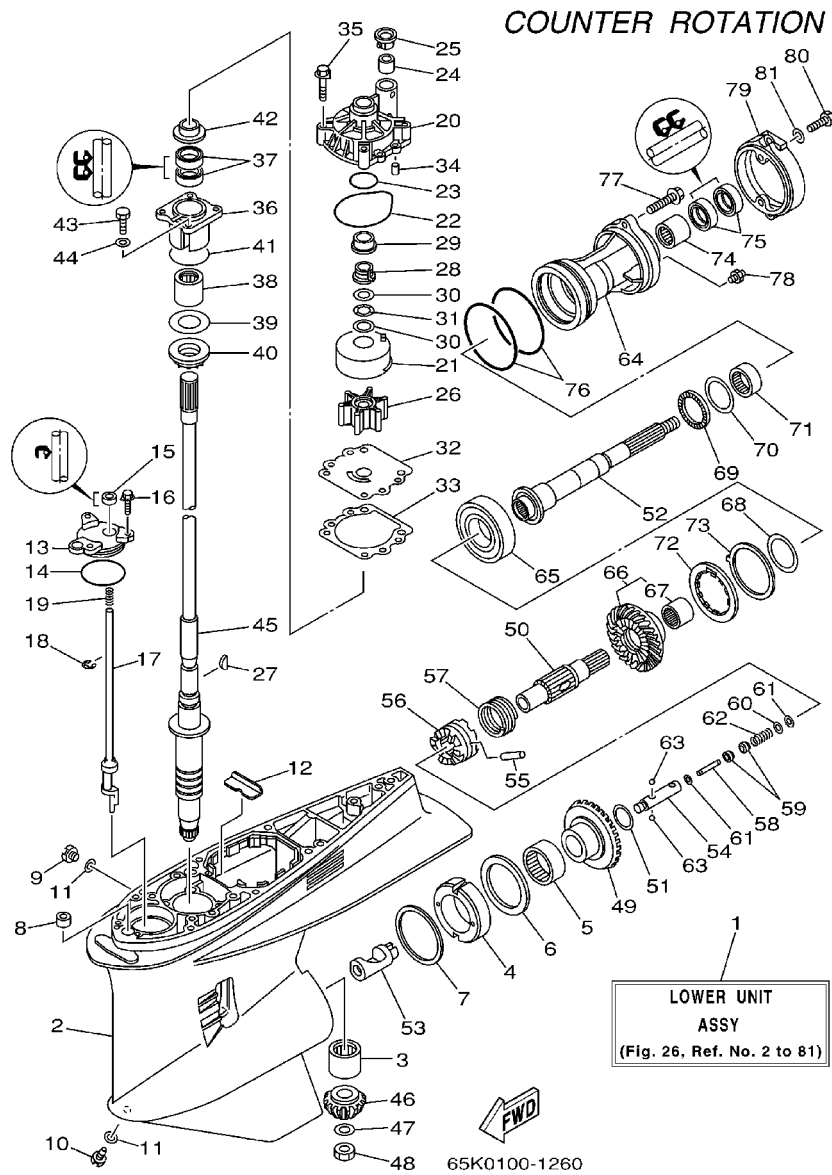


FIG. 26 LOWER CASING. DRIVE 3 IMPULSOR E INFERIOR 3

REF. NO.	PART NO. CODIGO NO.	DESCRIPTION DESCRIPTION	65J2	65L2	65K2	65M2	REMARKS OBSERVACION
43	97095-08025	BOLT PERNO			4	4	
44	92995-08600	WASHER ARANDELA			4	4	
45	61A-45501-20	DRIVE SHAFT COMP. EJE DE MANDO COMPL.			1	1	X
46	61A-45551-03	PINION PINON			1	1	
47	90201-16M00	WASHER, PLATE ARANDELA PLANA			1	1	
48	90170-16M19	NUT TUERCA			1	1	
49	61B-45560-01	GEAR ENGRANE COMPLE 1			1	1	
50	61B-45611-01	SHAFT, PROPELLER EJE PROPUSOR			1	1	
51	90201-29M01	WASHER, PLATE ARANDELA PLANA			1	1	
52	61B-45611-20	SHAFT, PROPELLER EJE PROPUSOR			1	1	
53	61B-45641-01	SHIFTER CAMBIO			1	1	
54	61A-45634-01	SLIDE, SHIFT DESLIZADOR, CAMBIO			1	1	
55	61A-45632-00	PIN, CROSS PASADOR TRANSVERSAL			1	1	
56	61A-45631-03	CLUTCH, DOG EMBRAGUE DE GARRA			1	1	
57	61A-45633-00	RING, CROSS PIN ANILLO DE PASADOR			1	1	
58	6H1-45668-00	SHAFT, FREE EJE			1	1	
59	61A-45635-00	PLUNGER, SHIFT EMBOLO DE CAMBIO			2	2	
60	90201-02M00	WASHER, PLATE ARANDELA PLANA			1	1	
61	90183-02M03	NUT, SPRING TUERCA DE RESORTE			2	2	
62	90501-10M77	SPRING, COMPRESSION RESORTE DE COMPRESION			1	1	
63	93501-04011	BALL ESFERA			2	2	
64	61B-45332-01-94	HOUSING, BEARING CAJA BALERO 2			1	1	
65	93332-000W2	BEARING COJINETE DE RODILLOS AHUSADO			1	1	
66	61B-45570-03	GEAR ENGRANE COMPL 2			1	1	
67	93315-430U8	BEARING COJINETE DE RODILLOS			1	1	
68	61A-45577-00-10	SHIM (T:0.10MM) LAINA (T:0.10MM)			1	1	UR
	61A-45577-00-12	SHIM (T:0.12MM) LAINA (T:0.12MM)			1	1	UR

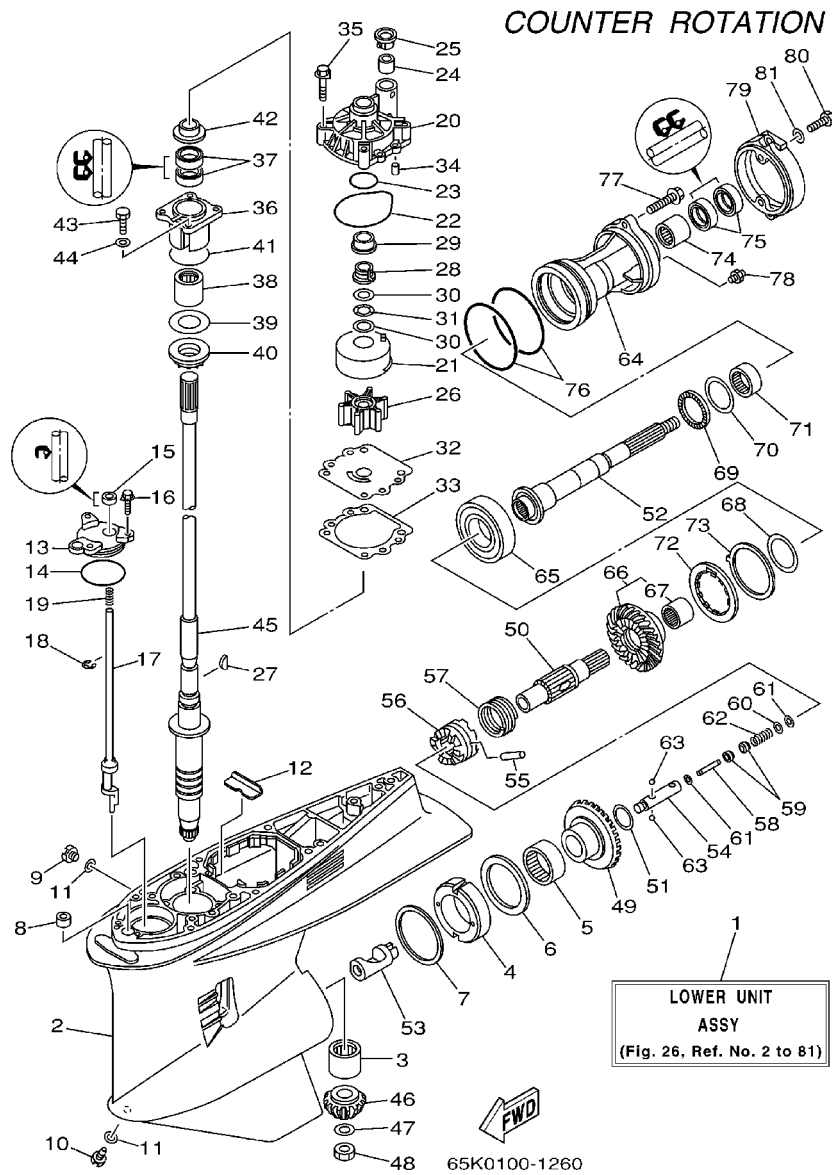
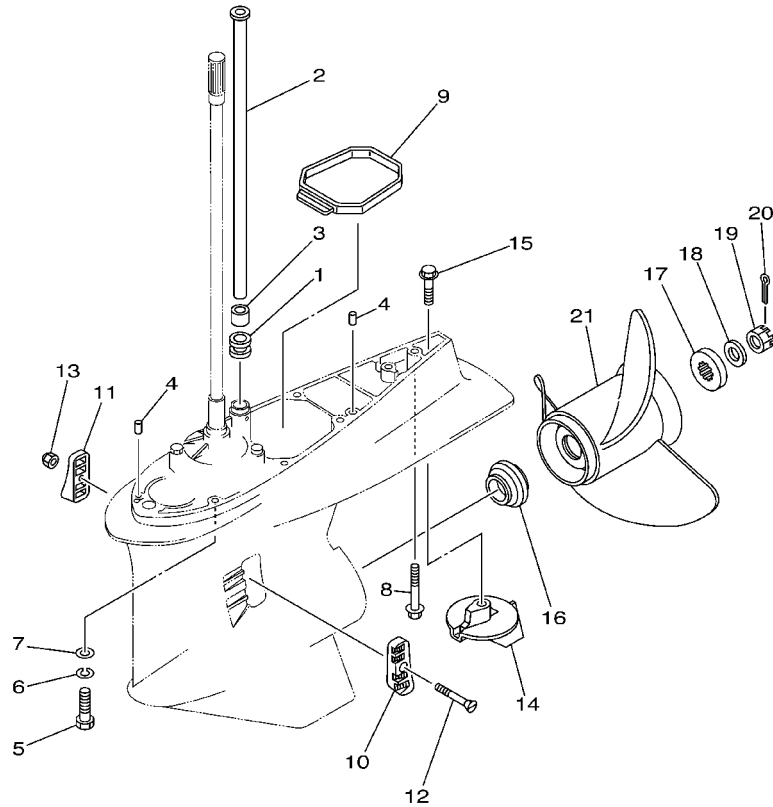


FIG. 26 LOWER CASING. DRIVE 3 IMPULSOR E INFERIOR 3

REF. NO.	PART NO. CODIGO NO.	DESCRIPTION DESCRIPTION	65J2	65L2	65K2	65M2	REMARKS OBSERVACION
68	61A-45577-00-15	SHIM (T:0.15MM) LAINA (T:0.15MM)			1	1	UR
	61A-45577-00-18	SHIM (T:0.18MM) LAINA (T:0.18MM)			1	1	UR
	61A-45577-00-30	SHIM (T:0.30MM) LAINA (T:0.30MM)			1	1	UR
	61A-45577-00-40	SHIM (T:0.40MM) LAINA (T:0.40MM)			1	1	UR
	61A-45577-00-50	SHIM (T:0.50MM) LAINA (T:0.50MM)			1	1	UR
69	93341-440U5	BEARING COJINETES CON RODAMIENTOS			1	1	
70	6K1-45578-01-10	SHIM (T:0.10MM) LAINA (T:0.10MM)			1	1	UR
	6K1-45578-01-12	SHIM (T:0.12MM) LAINA (T:0.12MM)			1	1	UR
	6K1-45578-01-15	SHIM (T:0.15MM) LAINA (T:0.15MM)			1	1	UR
	6K1-45578-01-18	SHIM (T:0.18MM) LAINA (T:0.18MM)			1	1	UR
	6K1-45578-01-30	SHIM (T:0.30MM) LAINA (T:0.30MM)			1	1	UR
	6K1-45578-01-40	SHIM (T:0.40MM) LAINA (T:0.40MM)			1	1	UR
	6K1-45578-01-50	SHIM (T:0.50MM) LAINA (T:0.50MM)			1	1	UR
71	93315-440V6	BEARING COJINETE DE RODILLOS			1	1	
72	61B-45384-00	NUT TUERCA			1	1	
73	61B-45383-00	WASHER, CLAW ARANDELA DE UNA			1	1	
74	93317-330U5	BEARING COJINETE DE RODILLOS			1	1	
75	93101-30M17	OIL SEAL RETEN DE ACEITE			2	2	
76	93211-04384	O-RING ANILLO EN O			2	2	
77	90105-08M48	BOLT, FLANGE TORNILLO			2	2	
78	93700-09M00	NIPPLE, GREASE BOQUILLA DE ENGRASAR			1	1	
79	61A-45361-01-5B	CAP, LOWER CASING FUNDA INFERIOR			1	1	
80	97095-08020	BOLT PERNO			2	2	
81	92995-08600	WASHER ARANDELA			2	2	

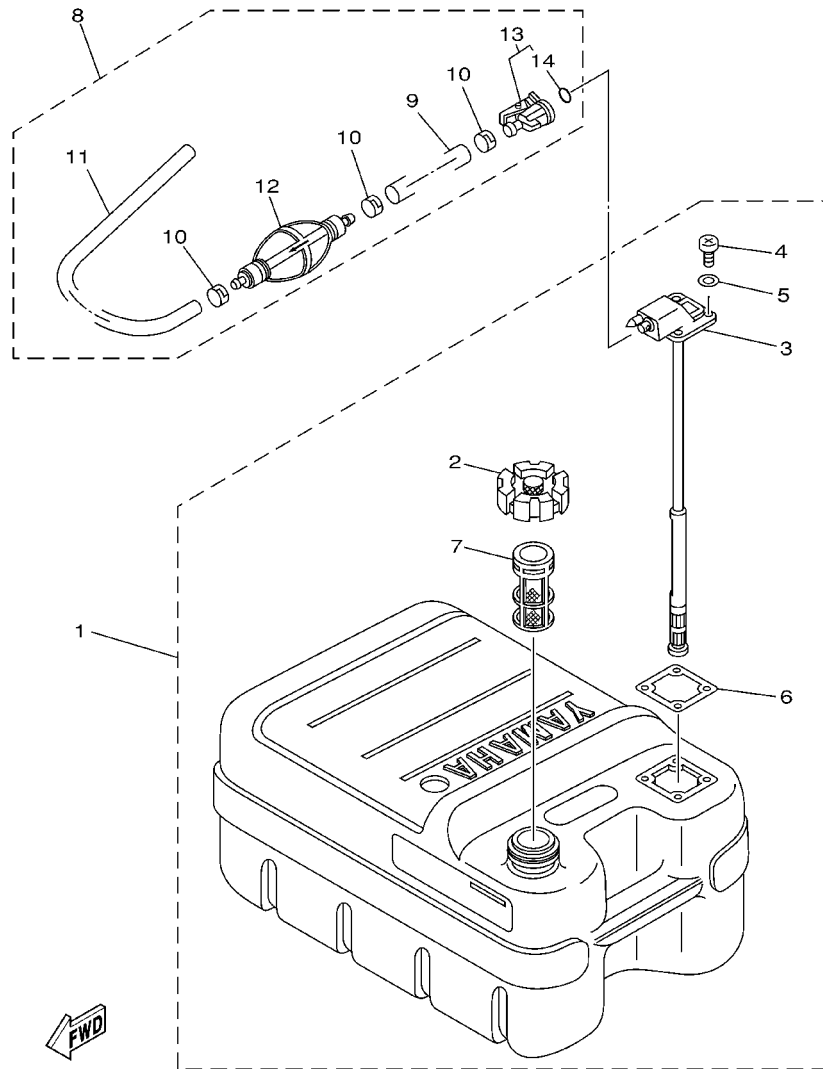
COUNTER ROTATION



65K2100-3280

FIG. 27 LOWER CASING. DRIVE 4 IMPULSOR E INFERIOR 4

REF. NO.	PART NO. CODIGO NO.	DESCRIPTION DESCRIPTION	65J2	65L2	65K2	65M2	REMARKS OBSERVACION
1	6E5-44366-00	DAMPER, WATER SEAL GOMA DEL SELLO DE AGUA			1	1	
2	61A-44361-20	TUBE, WATER TUBO DE AGUA			1	1	X
3	6E5-44365-00	DAMPER, WATER SEAL HULE DE SELLO DE AGUA			1	1	
4	93608-12M05	PIN, DOWEL PASADOR DE CLAVIJA			2	2	
5	97095-10045	BOLT PERNO			7	7	
6	92995-10100	WASHER ARANDELA			7	7	
7	92995-10600	WASHER ARANDELA			7	7	
8	90119-10MA2	BOLT, WITH WASHER TORNILLO CON ARANDELA			1	1	
9	61A-45375-00	DAMPER, SEAL GOMA DE SELLO			1	1	
10	61A-45214-10	COVER, WATER INLET CUBIERTA ENTRADA AGUA			1	1	
11	61A-45215-10	COVER, WATER INLET CUBIERTA ENTRADA AGUA			1	1	
12	90152-05003	SCREW, COUNTERSUNK TORNILLO EMBUTIDO			1	1	
13	90185-05002	NUT, SELF-LOCKING TUERCA AUTOBLOCANTE			1	1	
14	61A-45371-00	TAB-TRIM QUILLA ESTABILIZADOR			1	1	
15	90105-10M00	BOLT, FLANGE TORNILLO			1	1	
16	6E5-45987-01	SPACER ESPACIADOR			1	1	
17	688-45997-01	SPACER ESPACIADOR			1	1	
18	92990-18200	WASHER ARANDELA PLANA			1	1	
19	90171-18M04	NUT, CASTLE TUERCA ENTALLADA			1	1	
20	91490-40030	PIN, COTTER CHAVETA			1	1	
21	6K1-45970-01-98	PROPELLER (3X15-1/4"X15"-ML) PROPELA (3X15-1/4"X15"-ML)			1	1	UR
	6K1-45972-01-98	PROPELLER (3X13-3/4"X21"-ML) PROPELA (3X13-3/4"X21"-ML)			1	1	UR
	6K1-45974-02-98	PROPELLER (3X13-3/4"X19"-ML1) PROPELA (3X13-3/4"X19"-ML1)			1	1	UR
	6K1-45978-02-98	PROPELLER (3X13-3/4"X17"-ML1) PROPELA (3X13-3/4"X17"-ML1)			1	1	UR
	61B-45974-00-98	PROPELLER (3X14-1/2"X19"-TL) PROPELA (3X14-1/2"X19"-TL)			1	1	UR
	61B-45978-00-98	PROPELLER (3X15"X17"-TL) PROPELA (3X15"X17"-TL)			1	1	UR



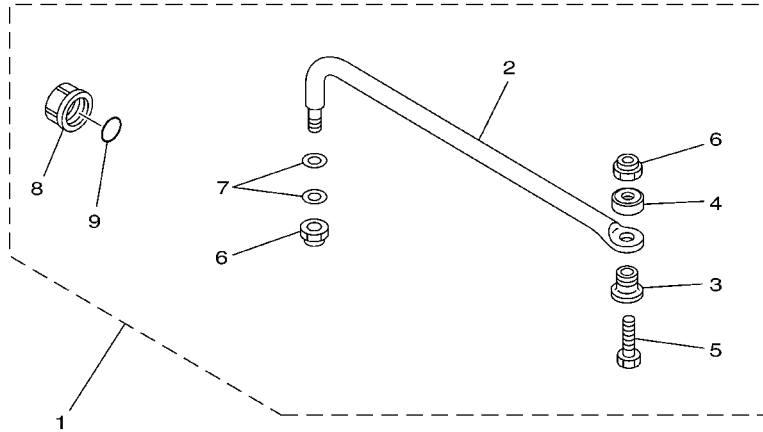
67F0100-9310

FIG. 28 FUEL TANK

DEPOSITO DE COMBUSTIBLE

REF. NO.	PART NO. CODIGO NO.	DESCRIPTION DESCRIPTION	65J2	65L2	65K2	65M2	REMARKS OBSERVACION
1	6YJ-24201-10	FUEL TANK ASSY (24L) TANQUE DEL COMBUSTIBLE (24L)	1	1			AP WITH INDICATOR
2	6YJ-24610-01	.CAP ASSY .TAPA COMPLETA	1	1			
3	6Y1-24260-12	.FUEL METER ASSY .MEDIDOR DE COMBUSTIBLE COMPL.	1	1			WITH INDICATOR
4	98586-05016	.SCREW, PAN HEAD .TORNILLO DE CABEZA CON PLANA	4	4			
5	6Y1-24329-00	.SEAL .SELLO	4	4			
6	6Y1-24268-00	.GASKET, FUEL METER .EMPAQ. MEDIDOR DE COMBUSTIBLE	1	1			
7	6YJ-24167-00	.STRAINER .COLADOR	1	1			
8	6Y2-24306-42	FUEL PIPE COMP. 1 TUBO COMBUST. COMPL 1	1	1			AP
9	90445-13M01	.HOSE (L2050) .MANGUERA (L2050)	1	1			
10	6E5-24351-51	.BAND 1 .ABRAZADERA 1	3	3			
11	90445-13M35	.HOSE (L250) .MANGUERA (L250)	1	1			
12	6Y2-24360-52	.PRIMER PUMP ASSY .SOPORTE BOMBA	1	1			
13	6Y2-24305-04	.FUEL PIPE JOINT COMP. 2 .CONECTOR MANGUERA COMBUST. 2	1	1			
14	93210-08287	.O-RING .JUNTA TORICA	1	1			

FIG. 29 STEERING GUIDE ATTACHMENT 1 ADITAMENTO GUIA DE GOBIERNO 1

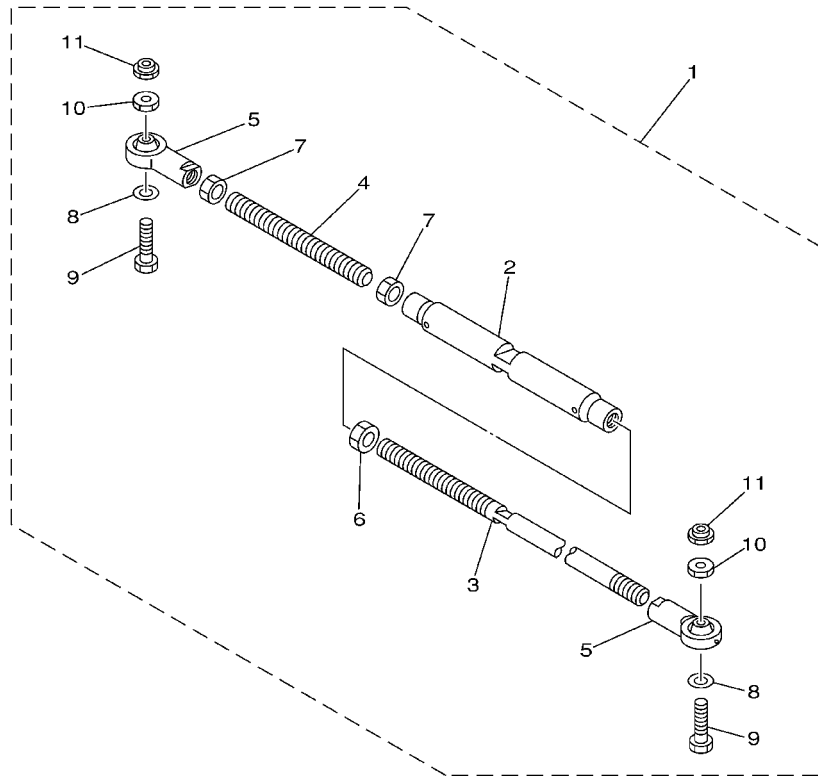


REF. NO.	PART NO. CODIGO NO.	DESCRIPTION DESCRIPTION	65J2	65L2	65K2	65M2	REMARKS OBSERVACION
1	6E5-61350-02	STEERING GUIDE ATTACHMENT KIT ESTUCHE ADITAMENTO GUIA DE TIM	1	1		1	AP
2	6E5-61351-01	.ROD, STEERING LINK .VARILLA ESLABON DIRECCION	1	1		1	
3	90387-10M61	.COLLAR .COLLAR	1	1		1	
4	90560-12M01	.SPACER .SEPARADOR	1	1		1	
5	6E5-61355-00	.BOLT .TORNILLO	1	1		1	
6	90185-09M01	.NUT, SELF-LOCKING .TUERCA AUTOBLOCANTE	2	2		2	
7	90201-10M20	.WASHER, PLATE .ARANDELA PLANA	2	2		2	
8	6E5-43145-01	.CAP, CLAMP BRACKET .TAPA	1	1		1	
9	93210-16275	.O-RING .JUNTA TORICA	1	1		1	

67H0100-9290

FIG. 30 STEERING GUIDE ATTACHMENT 2

ADITAMENTO GUIA DE GOBIERNO 2

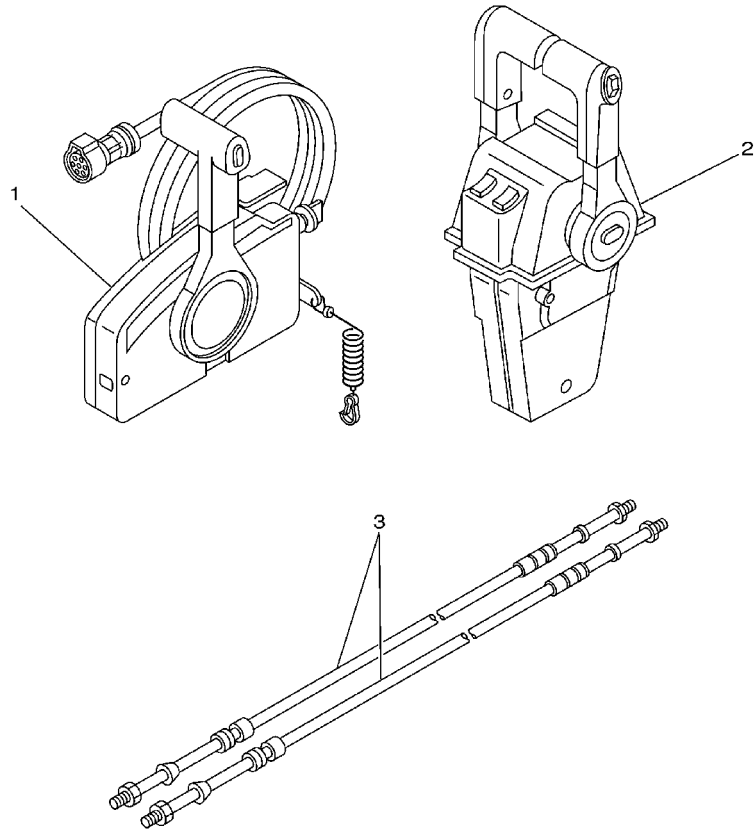


REF. NO.	PART NO. CODIGO NO.	DESCRIPTION DESCRIPTION	65J2	65L2	65K2	65M2	REMARKS OBSERVACION
1	6E5-61301-01	TWIN KIT (L:600-800MM) KIT ADITAMENTO (L:600-800MM)			1	1	AP
2	6E5-61313-00	.ADJUSTER .AJUSTADOR			1	1	
3	6E5-61311-11	.TIE BAR .BARRA SEPARADORA			1	1	
4	6E5-61315-00	.TIE BAR .ROTOR DE BOMBA AGUA			1	1	
5	6E5-61303-00	.STEERING EYE COMP. .OJO-DIRECCION COMPL.			2	2	
6	90170-14M06	.NUT .TUERCA			1	1	
7	95380-14700	.NUT .TUERCA			2	2	
8	90201-10M76	.WASHER, PLATE .ARANDELA PLANA			2	2	
9	90101-09M70	.BOLT .TORNILLO			2	2	
10	90170-09M05	.NUT .TUERCA			2	2	
11	90185-09M01	.NUT, SELF-LOCKING .TUERCA AUTOBLOCANTE			2	2	

67H0100-0300

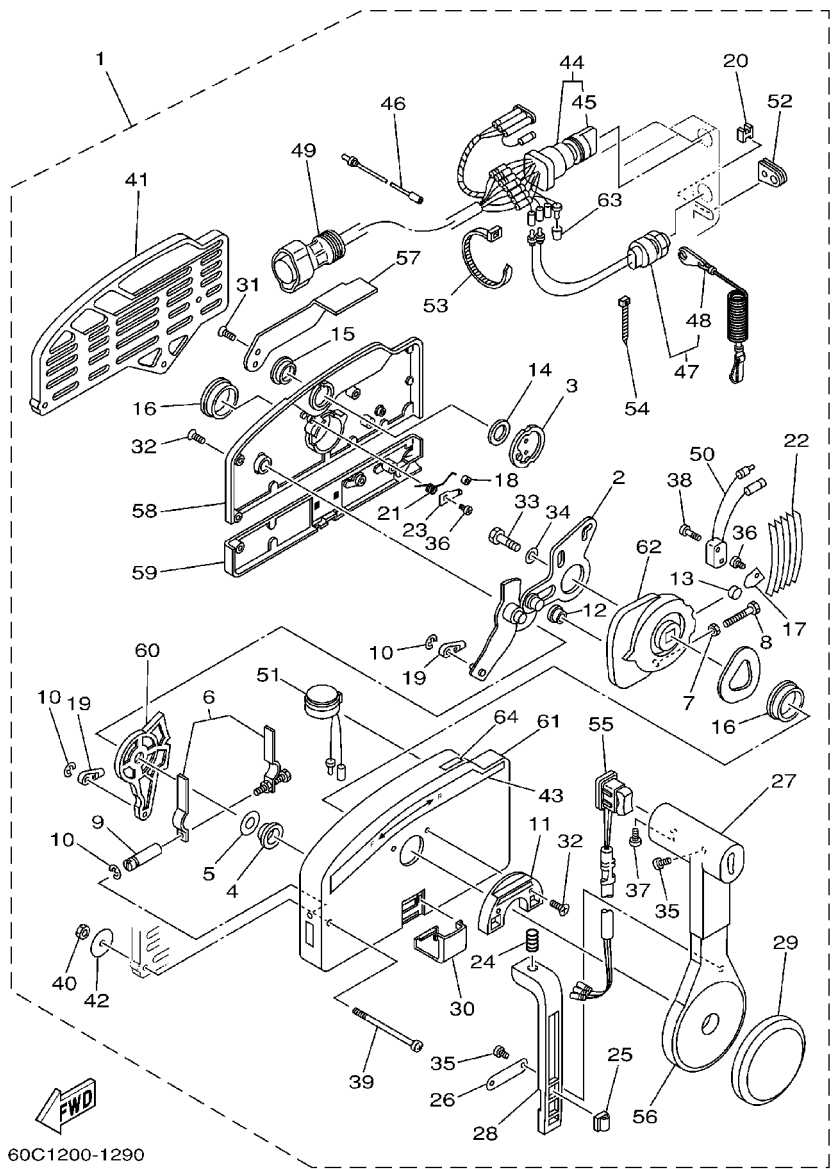
FIG. 31 REMOTE CONTROL BOX

CONTROL REMOTO COMPL.



REF. NO.	PART NO. CODIGO NO.	DESCRIPTION DESCRIPTION	65J2	65L2	65K2	65M2	REMARKS OBSERVACION
1	703-48205-A4	REMOTE CONTROL ASSY REMOTO CONTROL COMPL.	1	1			AP EXCEPT BRAZIL
	703-48207-17	REMOTE CONTROL ASSY REMOTO CONTROL COMPL.		1			AP FOR BRAZIL
2	704-48207-23	REMOTE CONTROL ASSY COMANDO REMOTO			1	1	AP WITH PT/T SW.
3	701-48320-80	CABLE, REMOTE CONTROL L=17F	2	2	2	2	UR
	701-48320-40	CABLE, REMOTE CONTROL L=19F	2	2	2	2	UR
		CABLE, CONTROL REMOTO L=19F					


67H0100-9310

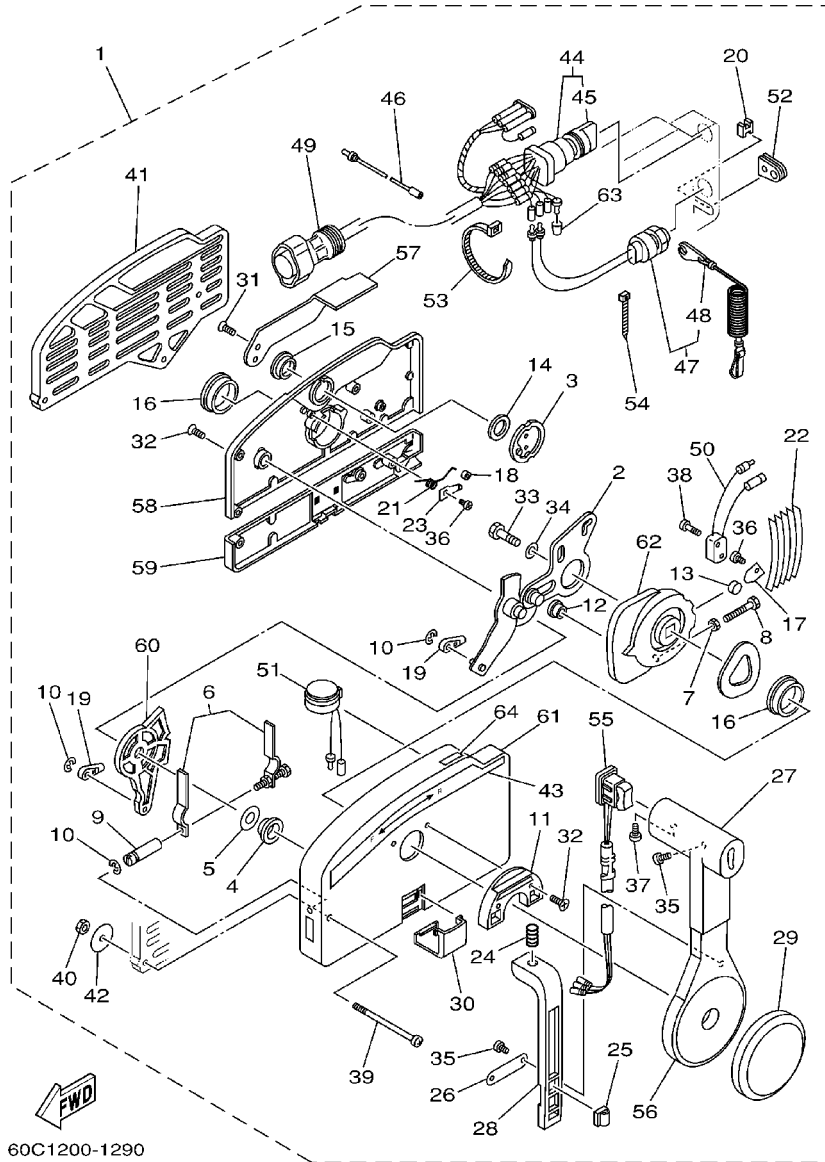


60C1200-1290

FIG. 32 REMOTE CONTROL ASSY 1 CONTROL REMOTO COMPL. 1

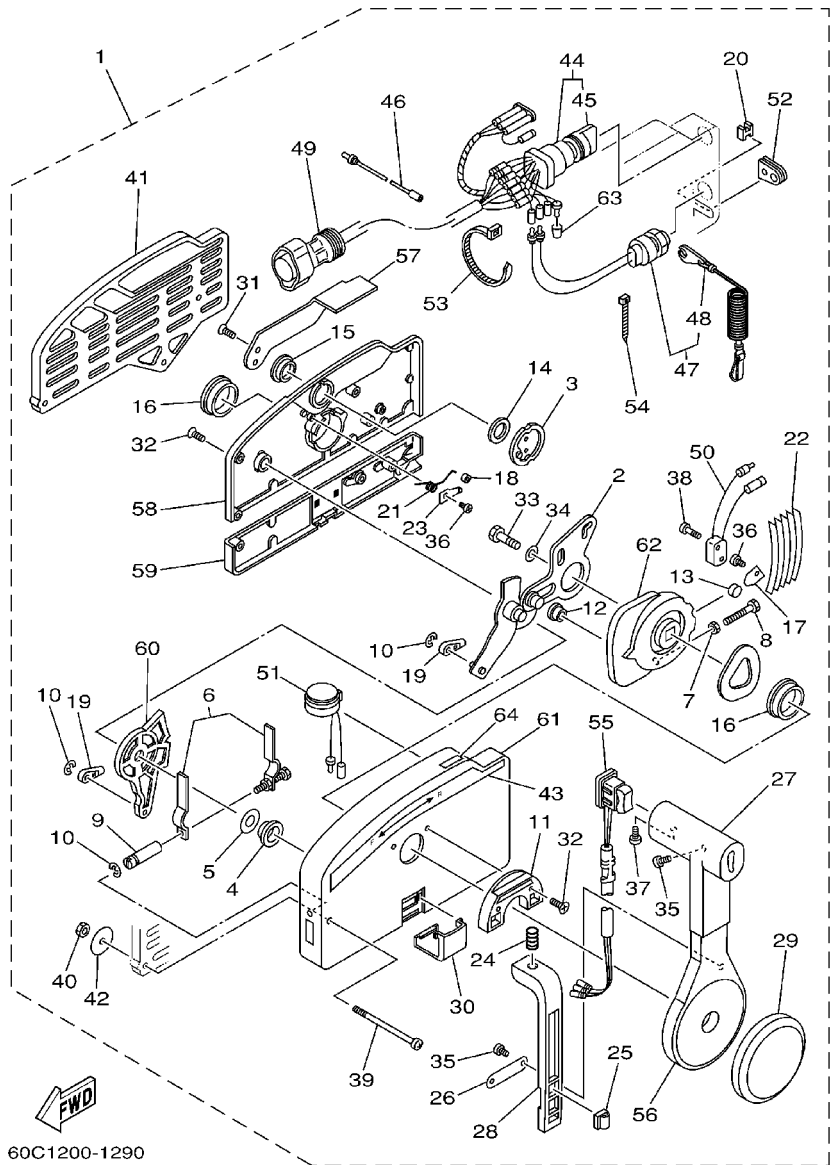
REF. NO.	PART NO. CODIGO NO.	DESCRIPTION DESCRIPTION	65J2	65L2	65K2	65M2	REMARKS OBSERVACION
1	703-48205-A4	REMOTE CONTROL ASSY REMOTO CONTROL COMPL.	1	1			AP EXCEPT BRAZIL
	703-48207-17	REMOTE CONTROL ASSY REMOTO CONTROL COMPL.		1			AP FOR BRAZIL
2	703-48261-01	.ARM, THROTTLE .BRAZO ACELERADOR	1	1			
3	703-48153-00	.SHAFT, FREE ACCEL. .EJE	1	1			
4	703-48235-00	.BUSHING .BUJE	1	1			
5	703-48268-00	.SPACER .ESPACIADOR 3	1	1			
6	703-48264-00	.THROTTLE, FRICTION .FRICCION ACELERADOR	1	1			
7	95380-05600	.NUT .TUERCA	1	1			
8	97380-05025	.BOLT .TORNILLO HEXAGONAL	1	1			
9	703-48265-00	.SHAFT, FRICTION .EJE FRICCION	1	1			
10	93430-06024	.CIRCLIP .SEGURO	3	3			
11	703-48245-00	.PLATE, LOCK .PLACA CERRADURA	1	1			
12	703-48252-00	.ROLLER, CAM .RODILLO LEVA	1	1			
13	701-48248-00	.ROLLER, FREE ACCEL. .RODILLO ACELERADOR LIBRE	1	1			
14	703-48198-00	.WASHER, WAVE .RONDANA ONDULADA 3	1	1			
15	703-48243-00	.BUSHING .BUJE 3	1	1			
16	703-48236-00	.BUSHING 1 .BUJE	2	2			
17	703-48189-00	.RETAINER .RETENEDOR	1	1			
18	703-48234-00	.ROLLER, DETENT .RODILLO	1	1			
19	703-48345-01	.CABLE END, REMOTE CONTROL 2 .TERMINAL CABLE DE CONTROL REM	2	2			
20	703-48358-00	.ANCHOR, CABLE .ABRAZADERA CABLE	1	1			
21	703-48244-00	.SPRING, FREE ACCEL. .RESORTE ACELERADOR LIBRE	1	1			
22	703-48238-00	.SPRING, DETENT .RESORTE	5	5			
23	703-48246-00	.SPACER .ESPACIADOR	1	1			
24	703-48227-00	.SPRING, NEUTRAL LOCK .RESORTE DE SEGURO	1	1			
25	703-82594-00	.CLAMP .GRAMPA	1	1			WITH P/T SW.
26	703-48226-00	.PLATE, STOPPER .PLACA RETEN	1	1			

FIG. 32 REMOTE CONTROL ASSY 1 CONTROL REMOTO COMPL. 1



60C1200-1290

REF. NO.	PART NO. CODIGO NO.	DESCRIPTION DESCRIPTION	65J2	65L2	65K2	65M2	REMARKS OBSERVACION
27	703-48222-00	.GRIP, CONTROL LEVER .MANGO DE PALANCA CONTROL	1	1			SINGLE
28	703-48223-00	.LOCK, NEUTRAL .CERRADURA NEUTRO	1	1			
29	703-48225-00	.COVER .CUBIERTA	1	1			
30	703-48219-00	.COVER, LEAD .CUBIERTA	1	1			
31	703-48281-00	.SCREW .TORNILLO 1	2	2			
32	703-48282-00	.SCREW .TORNILLO 2	7	7			
33	97380-08030	.BOLT .TORNILLO HEXAGONAL	1	1			
34	92990-08600	.WASHER, PLATE .ARANDELA PLANA	1	1			
35	98580-04010	.SCREW, PAN HEAD .TORNILLO DE CABEZA CRUZADA	3	3			
36	98580-04006	.SCREW, PAN HEAD .TORNILLO DE CABEZA CRUZADA	2	2			
37	98580-05010	.SCREW, PAN HEAD .TORNILLO DE CABEZA CRUZADA	1	1			
38	98580-03015	.SCREW, PAN HEAD .TORNILLO DE CABEZA CRUZADA	2	2			
39	703-48291-10	.SCREW (M6) .TORNILLO (M6)	3	3			
40	95380-06600	.NUT, HEXAGON .TUERCA	3	3			
41	703-48293-10	.SPACER, REMOTE CONTROL .ESPACIADOR	1	1			SINGLE
42	701-48287-00	.WASHER .ARANDELA	3	3			
43	703-48215-00	.GRAPHIC .CALCOMANIA 1	1	1			
44	703-82510-12	.MAIN SWITCH ASSY .CONJUNTO DE LLAVE IGNICION	1	1			FOR 703-48205-A4
	703-82510-43	.MAIN SWITCH ASSY .CONJUNTO DE LLAVE IGNICION		1			FOR 703-48207-17
45	676-82577-00	.CAP, KEY .TAPA	1	1			FOR 703-82510-12
	703-82577-00	.CAP, KEY .TAPA		1			FOR 703-82510-43
46	703-82531-00	.WIRE, LEAD .CABLE CONDUCTOR	1	1			
47	688-82575-01	.ENGINE STOP SWITCH ASSY .INTERRUPTOR DE PARADA COMPL	1	1			
48	682-82556-00	.STOPPER .RETENER	1	1			
49	688-8258A-20	.EXTENSION, WIRE HARNESS .EXTENSION, ARNES DE CABLES	1	1			L:5M (10P)
50	703-82540-00	.NEUTRAL SWITCH ASSY .INTERRUPTOR NEUTRAL COMPL	1	1			
51	703-83383-A0	.BUZZER .ZUMBADOR	1	1			

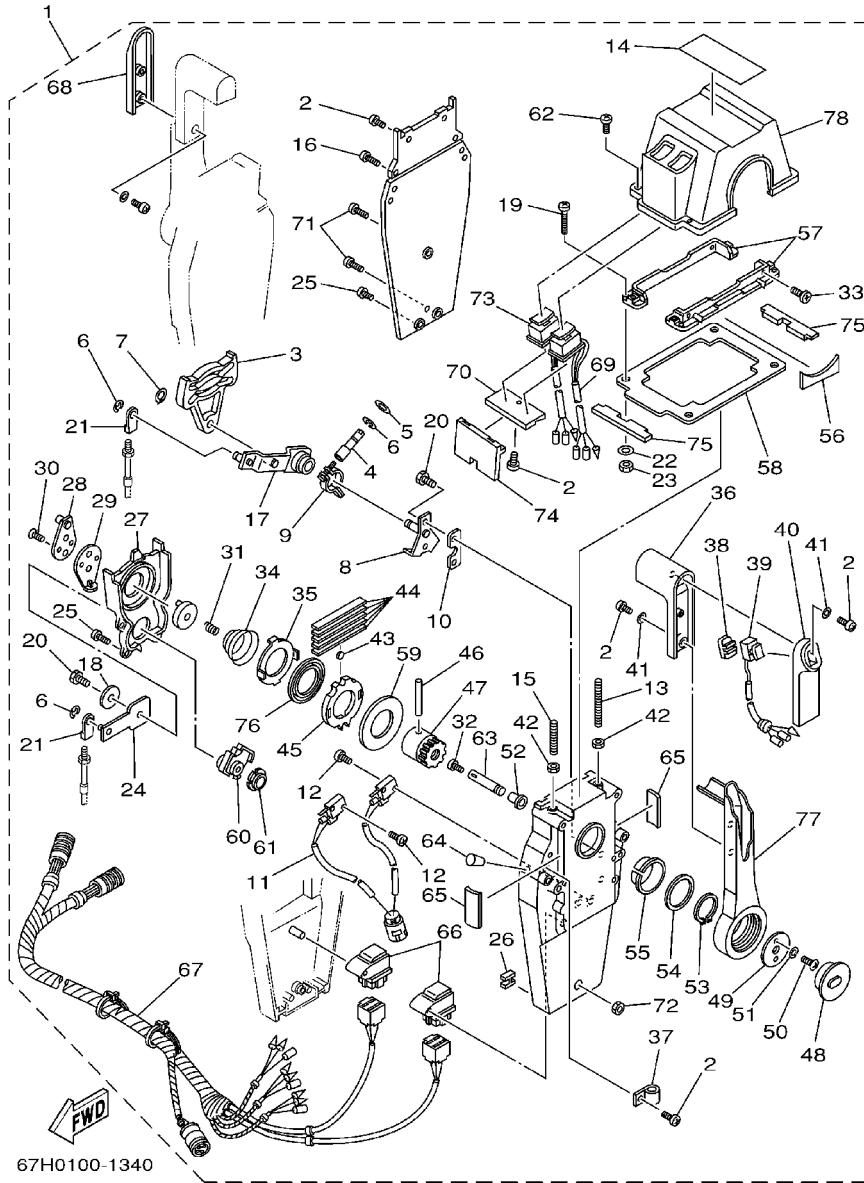


60C1200-1290

FIG. 32 REMOTE CONTROL ASSY 1 CONTROL REMOTO COMPL. 1

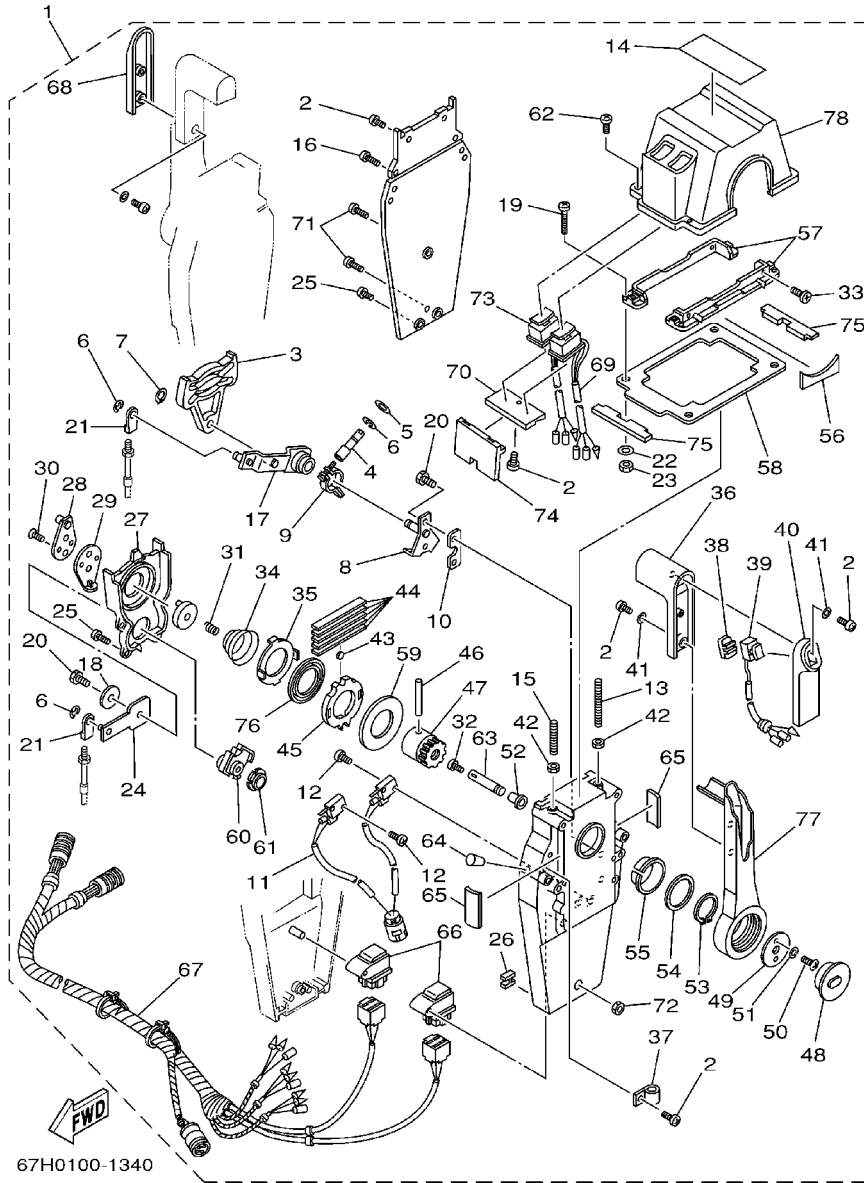
REF. NO.	PART NO. CODIGO NO.	DESCRIPTION DESCRIPTION	65J2	65L2	65K2	65M2	REMARKS OBSERVACION
52	703-48284-00	.GROMMET .TAPON 1	1	1			FOR 703-48205-A4
	703-48284-10	.GROMMET .TAPON 1		1			FOR 703-48207-17
53	703-82591-00	.BAND .BANDA	1	1			FOR 703-48205-A4
	703-82591-00	.BAND .BANDA		3			FOR 703-48207-17
54	703-82592-00	.BAND .BANDA	1	1			
55	703-82563-02	.TRIM & TILT SWITCH ASSY .INTERRUPTOR DE INCLINACION	1	1			FOR 703-48205-A4
	703-82563-12	.TRIM & TILT SWITCH ASSY .INTERRUPTOR DE INCLINACION		1			FOR 703-48207-17
56	703-48221-00	.LEVER, CONTROL .PALANCA CONTROL	1	1			
57	703-48152-00	.KNOB, FREE ACCEL. .PERILLA	1	1			
58	703-48212-00	.BACK PLATE 1 .PLACA TRASERA 1	1	1			
59	703-48213-00	.BACK PLATE 2 .PLACA TRASERA 2	1	1			
60	703-48271-00	.ARM, SHIFT .BRAZO CAMBIADOR	1	1			
61	703-48211-01	.HOUSING,1 .CAJA	1	1			
62	703-48232-00	.GEAR .ENGRANAJE 1	1	1			
63	703-82542-00	.CAP .TAPA	1	1			FOR 703-48205-A4
64	703-48218-00	.GRAPHIC .CALCAMONIA	1	1			FOR 703-48205-A4

FIG. 33 REMOTE CONTROL ASSY 2 CONTROL REMOTO COMPL. 2

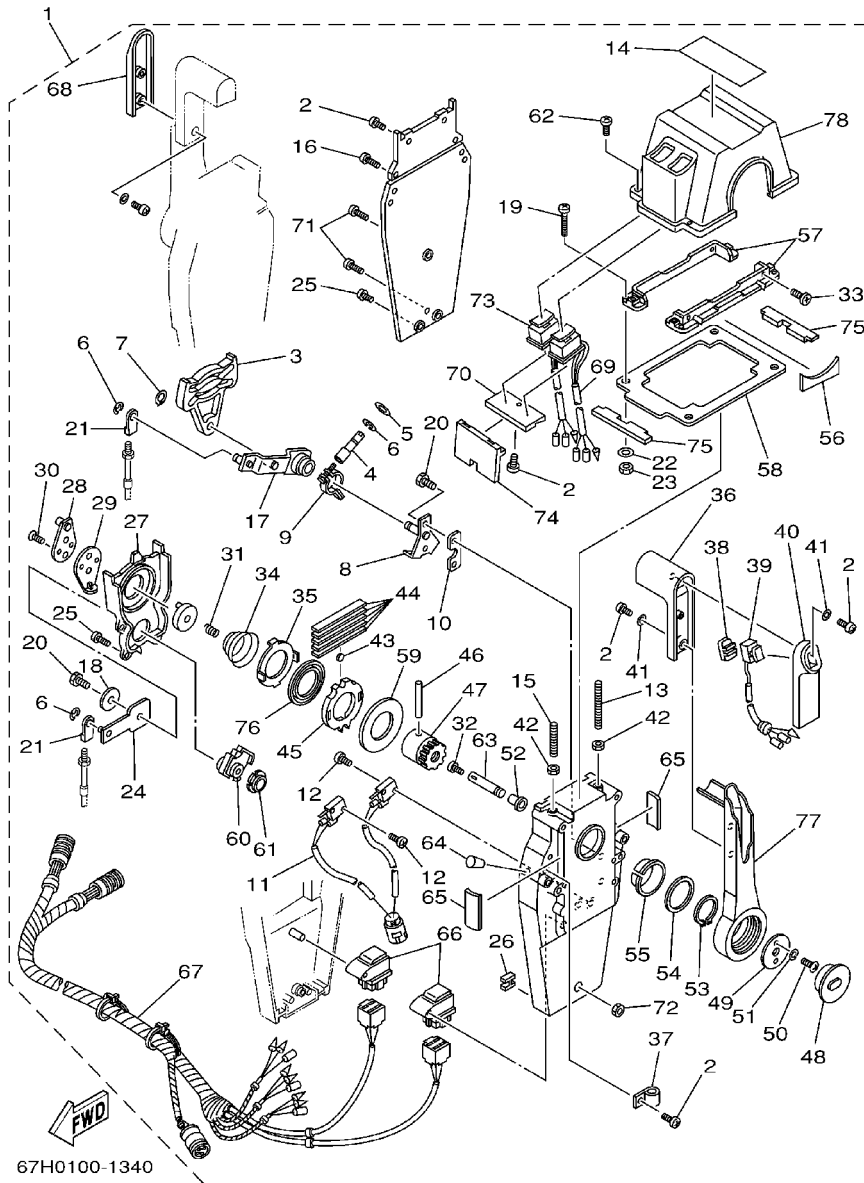


REF. NO.	PART NO. CODIGO NO.	DESCRIPTION DESCRIPTION	65J2	65L2	65K2	65M2	REMARKS OBSERVACION
1	704-48207-23	REMOTE CONTROL ASSY COMANDO REMOTO			1	1	AP WITH PT/T SW.
2	97890-05016	.SCREW, PAN HEAD .TORNILLO			12	12	
3	EL8-48251-00	.PLATE, CAM PLACA, LEVA			2	2	
4	704-48265-00	.SHAFT, FRICTION EJE FRICCION			2	2	
5	701-48246-00	.SPACER ESPACIADOR			2	2	
6	93430-06024	.CIRCLIP SEGURO			8	8	
7	EL8-48259-00	.CIRCLIP 1 SEGURO			2	2	
8	704-48262-00	.SHAFT, THROTTLE EJE DE ACELERADOR			2	2	
9	704-48264-00	.THROTTLE, FRICTION FRICCION ACELERADOR			2	2	
10	704-48266-00	.SPACER ESPACIADOR 2			2	2	
11	704-82540-10	.NEUTRAL SWITCH ASSY INTERRUPTOR NEUTRAL COMPL			1	1	
12	6A5-48129-10	.SCREW 3 .TORNILLO 3			4	4	
13	EL8-48281-00	.SCREW .TORNILLO 1			2	2	
14	704-48215-10	.GRAPHIC .CALCOMANIA 1			1	1	
15	704-48281-00	.SCREW .TORNILLO 1			2	2	
16	97890-05025	.SCREW, PAN HEAD .TORNILLO			4	4	
17	704-48261-00	.ARM, THROTTLE BRAZO ACELERADOR			2	2	
18	EL8-48191-00	.WASHER 1 ARANDELA			2	2	
19	704-48283-00	.SCREW .TORNILLO 3			4	4	
20	97380-06018	.BOLT .TORNILLO HEXAGONAL			6	6	
21	703-48345-01	.CABLE END, REMOTE CONTROL 2 .TERMINAL CABLE DE CONTROL REM			4	4	
22	704-48287-00	.WASHER ARANDELA			4	4	
23	95380-05600	.NUT .TUERCA			4	4	
24	EL8-48271-00	.ARM, SHIFT BRAZO CAMBIADOR			2	2	
25	EL8-48127-00	.SCREW 1 .TORNILLO 1			16	16	
26	703-48358-00	.ANCHOR, CABLE ABRAZADERA CABLE			2	2	
27	EL8-48231-00	.HOUSING, GEAR .CAJA, ENGRANAJE			2	2	

FIG. 33 REMOTE CONTROL ASSY 2 CONTROL REMOTO COMPL. 2



REF. NO.	PART NO. CODIGO NO.	DESCRIPTION DESCRIPTION	65J2	65L2	65K2	65M2	REMARKS OBSERVACION
28	EL8-48241-00	.ARM, DRIVE .BRAZO,MANDO			2	2	
29	EL8-48254-00	.STOPPER, THROTTLE ADJUSTING .TAPON			2	2	
30	92780-06020	.SCREW, FLAT HEAD .TORNILLO CABEZA PLANA			4	4	
31	EL8-48158-00	.SPRING 1 .RESORTE 1			2	2	
32	98580-04006	.SCREW, PAN HEAD .TORNILLO DE CABEZA CRUZADA			2	2	
33	98780-05018	.SCREW, FLAT HEAD .TORNILLO CABEZA PLANA			4	4	
34	EL8-48244-00	.SPRING, FREE ACCEL. .RESORTE ACELERADOR LIBRE			2	2	
35	EL8-48245-00	.PLATE, LOCK .PLACA CERRADURA			2	2	
36	704-48222-00	.GRIP, CONTROL LEVER .MANGO DE PALANCA CONTROL			2	2	
37	704-82594-00	.CLAMP .GRAMPA			1	1	
38	704-48228-00	.HOLDER, SWITCH .MORDAZA			1	1	
39	704-82563-31	.TRIM & TILT SWITCH ASSY .INTERRUPTOR DE INCLINACION			1	1	
40	704-48229-00	.GRIP, CONTROL LEVER .MANGO DE PALANCA CONTROL 2			1	1	
41	92990-05300	.WASHER, INTERNAL TOOTH .ARANDELA PLANA			6	6	
42	95380-06600	.NUT, HEXAGON .TUERCA			4	4	
43	701-48248-00	.ROLLER, FREE ACCEL. .RODILLO ACELERADOR LIBRE			2	2	
44	703-48238-00	.SPRING, DETENT .RESORTE			10	10	
45	EL8-48232-00	.GEAR 1 ENGRANAJE 1			2	2	
46	EL8-48164-00	.PIN 2 PASADOR 2			2	2	
47	704-48242-00	.SHAFT, DRIVE EJE, PROPULSION			2	2	
48	704-48225-00	.COVER .CUBIERTA			2	2	
49	704-48192-00	.WASHER 2 .RONDANA 2			2	2	
50	97890-06018	.SCREW, PAN HEAD .TORNILLO			4	4	
51	92990-06300	.WASHER, INTERNAL TOOTH .ARANDELA PLANA			4	4	
52	702-48263-00	.BUSHING .BUJE 4			2	2	
53	EL8-48279-00	.CIRCLIP 2 .SEGURO2			2	2	
54	704-48193-00	.WASHER 3 .RONDANA 3			2	2	



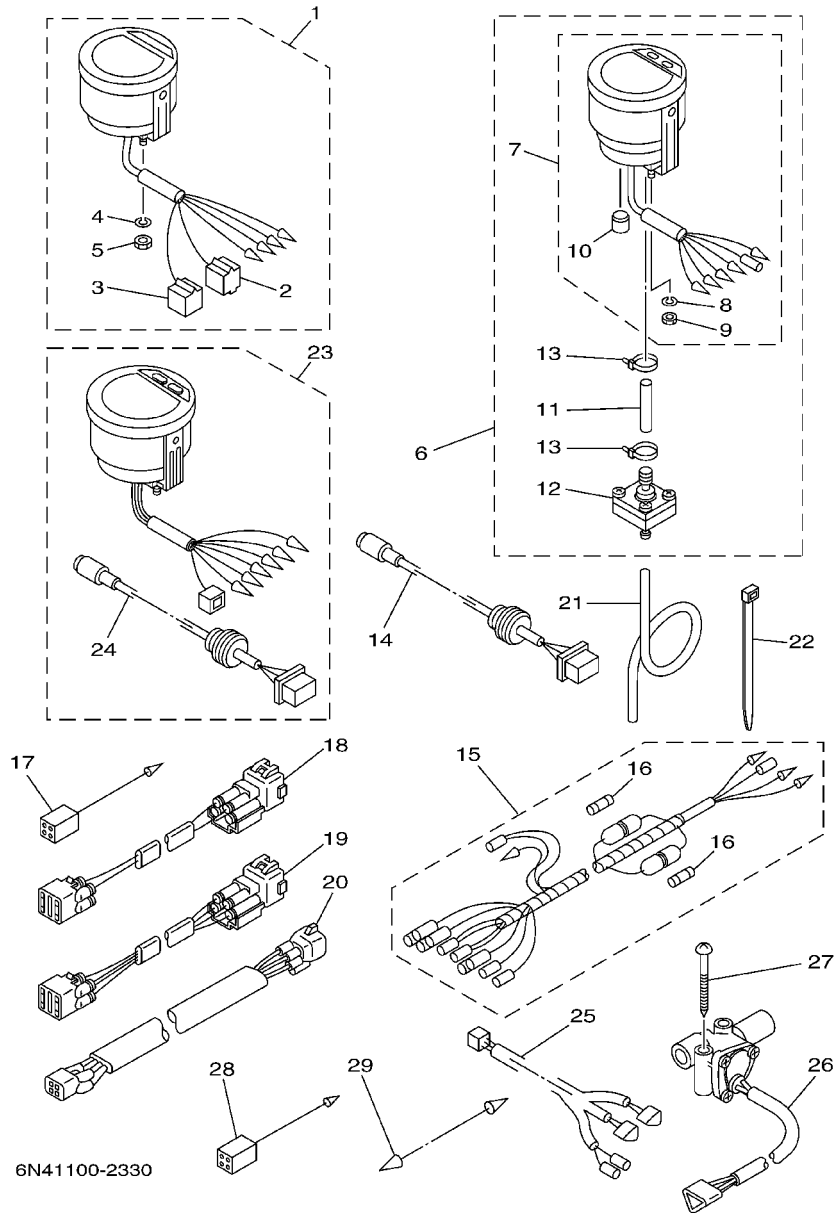
67H0100-1340

FIG. 33 REMOTE CONTROL ASSY 2 CONTROL REMOTO COMPL. 2

REF. NO.	PART NO. CODIGO NO.	DESCRIPTION DESCRIPTION	65J2	65L2	65K2	65M2	REMARKS OBSERVACION
55	EL8-48234-00	.BUSHING 1 .BUJE			2	2	
56	704-48219-00	.COVER, LEAD .CUBIERTA			2	2	
57	704-48144-00	.PLATE, STOPPER 2 .PLACA, RETEN 2			2	2	
58	704-48176-10	.GROMMET .TOPON			1	1	
59	703-48192-00	.WASHER 2 .RONDANA 2			2	2	
60	EL8-48233-00	.GEAR 2 .ENGRANAJE 2			2	2	
61	703-48235-00	.BUSHING .BUJE			2	2	
62	704-48282-00	.SCREW .TORNILLO 2			4	4	
63	EL8-48153-10	.SHAFT, FREE ACCEL. .EJE			2	2	
64	704-48166-00	.PLUG .TAPON			2	2	
65	704-48284-00	.GROMMET .TAPON 1			4	4	
66	704-81950-00	.RELAY ASSY .RELE COMPLETO			2	2	
67	704-82590-10	.WIRE HARNESS ASSY .CONJUNTO DE CABLES			1	1	
68	704-48229-10	.GRIP, CONTROL LEVER .MANGO DE PALANCA CONTROL 2			1	1	
69	704-82563-E0	.TRIM & TILT SWITCH ASSY .INTERRUPTOR DE INCLINACION			1	1	
70	704-48228-10	.HOLDER, SWITCH .MORDAZA			1	1	
71	704-48128-00	.SCREW 2 .TORNILLO 2			3	3	
72	704-48156-00	.NUT 1 .TUERCA 1			1	1	
73	704-82563-F0	.TRIM & TILT SWITCH ASSY .INTERRUPTOR DE INCLINACION			1	1	
74	704-48285-00	.GROMMET 2 .TAPON 2			1	1	
75	704-48286-00	.GROMMET 3 .TAPON 3			2	2	
76	704-48178-00	.PLATE, SHIFT .PLACA			2	2	
77	704-48221-00	.LEVER, CONTROL .PALANCA CONTROL			2	2	
78	704-48119-20	.COVER .CUBIERTA			1	1	

FIG. 34 METER

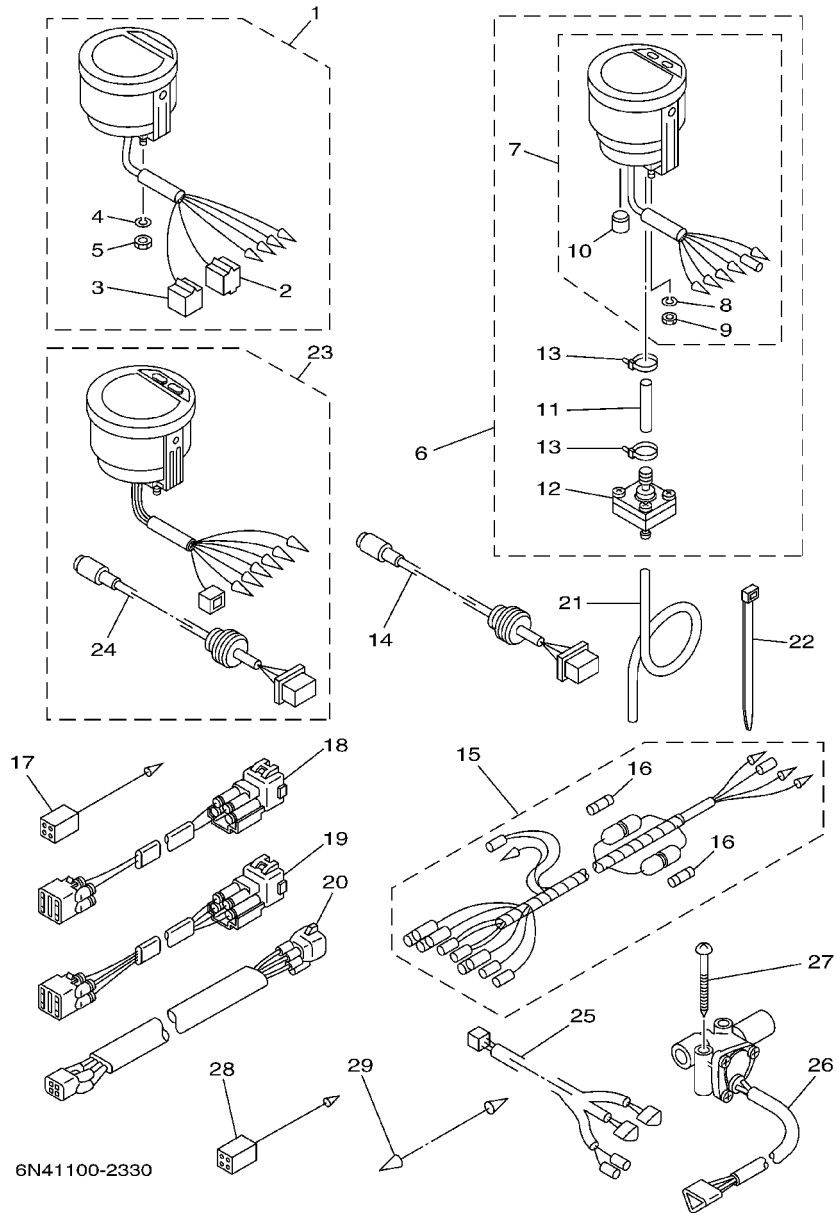
MEDIDOR



REF. NO.	PART NO. CODIGO NO.	DESCRIPTION DESCRIPTION	65J2	65L2	65K2	65M2	REMARKS OBSERVACION
1	6Y5-8350T-02	TACHOMETER ASSY TACOMETRO COMPLETO	1	1	1	1	AP
2	9E450-04433	.CONNECTOR .CONECTOR	1	1	1	1	M-4-W
3	9E450-04533	.CONNECTOR .CONECTOR	1	1	1	1	F-4-W
4	92990-04100	.WASHER, SPRING .ARANDELA, GROWER	2	2	2	2	
5	95380-04600	.NUT .TUERCA	2	2	2	2	
6	6Y5-83500-S5	DIGITAL SPEEDOMETER ASSY VELOCIMETRO DIGITAL COMPLETO	1	1			AP
7	6Y5-83570-S5	.SPEEDOMETER ASSY .VELOCIMETRO COMPLETO	1	1			
8	92990-04100	..WASHER, SPRING ..ARANDELA, GROWER	2	2			
9	95380-04600	..NUT ..TUERCA	2	2			
10	6Y5-83533-T2	..GROMMET ..ANILLO PROTECTOR	1	1			
11	6Y5-83557-31	.TUBE .ENCHUFE DE ACEITE	1	1			
12	6Y5-83728-00	.CONNECTOR ASSY .CONEXION COMPLET	1	1			
13	90465-11M10	.CLAMP .BRIDA	2	2			
14	6Y5-87122-S0	CORD ASSY 1 CORDON COMPLETO	1	1			AP
15	6Y5-83553-M0	WIRE, LEAD CABLE CONDUCTOR	1	1			AP
	6Y5-83553-00	WIRE, LEAD CABLE CONDUCTOR			1	1	AP
16	1E6-82151-00	.FUSE (10A) .FUSIBLE (10A)	2	2			FOR 6Y5-83553-M0
	1E6-82151-00	.FUSE (10A) .FUSIBLE (10A)			1	1	FOR 6Y5-83553-00
17	6Y5-82117-00	WIRE, LEAD (BLACK) CABLE, CONDUCTOR (NEGRO)	1	1			AP
18	6R3-82521-70	WIRE, LEAD (7M) CABLE CONDUCTOR (7M)	1	1			AP EXCEPT BRAZIL
	6R3-82521-80	WIRE, LEAD (8M) CABLE CONDUCTOR (8M)			1	1	AP EXCEPT BRAZIL
19	6R3-82553-70	EXTENSION, WIRE LEAD (4P,7M) CABLE (4P,7M)	1	1			AP EXCEPT BRAZIL
	6R3-82553-80	EXTENSION, WIRE LEAD (4P,8M) CABLE (4P,8M)			1	1	AP EXCEPT BRAZIL
	68F-82553-80	EXTENSION, WIRE LEAD CABLE		1			AP FOR BRAZIL
	68F-82553-90	EXTENSION, WIRE LEAD CABLE				1	AP FOR BRAZIL
20	6R3-82553-30	EXTENSION, WIRE LEAD L=3000 CABLE			2	2	AP EXCEPT BRAZIL
21	6Y5-83557-00	TUBE (6M) TUBO (6M)	1	1			AP EXCEPT BRAZIL

FIG. 34 METER

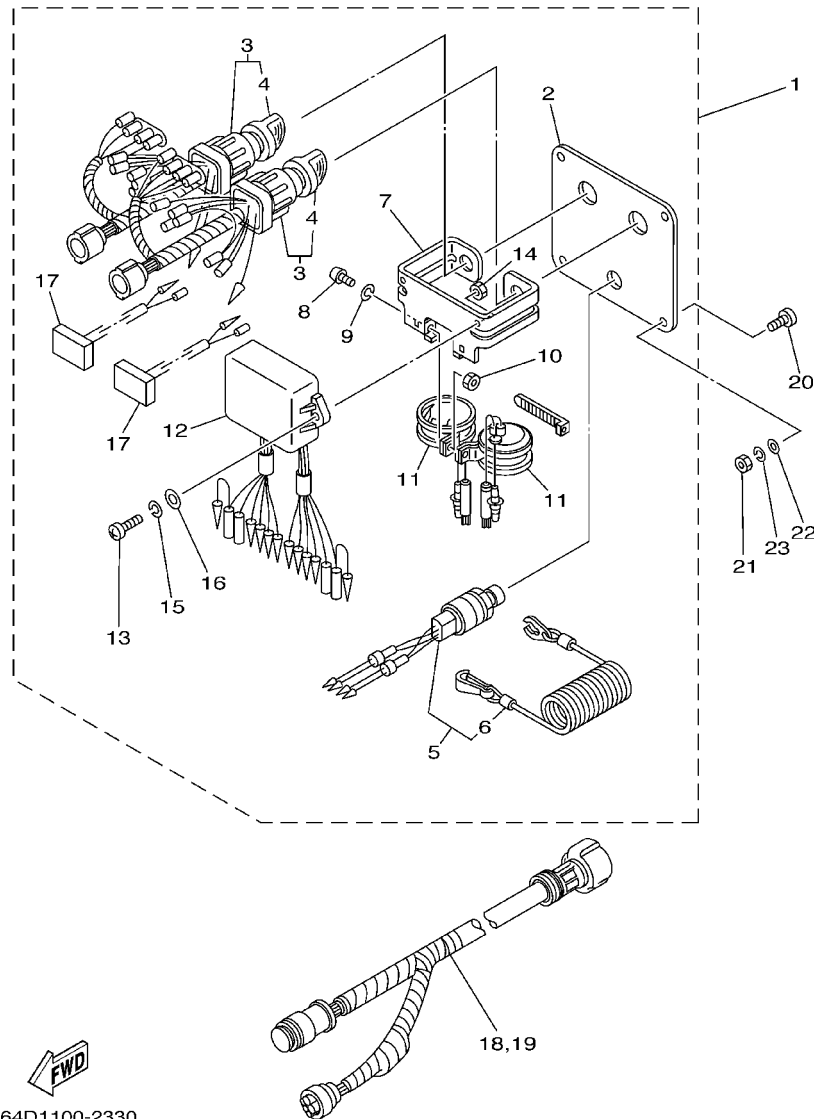
MEDIDOR



REF. NO.	PART NO. CODIGO NO.	DESCRIPTION DESCRIPTION	65J2	65L2	65K2	65M2	REMARKS OBSERVACION
21	6Y5-83557-10	TUBE (8M) TUBO (8M)			1		AP FOR BRAZIL
22	90465-11M10	CLAMP BRIDA	2	2			AP
23	6Y5-8350F-00	FUEL MANAGEMENT METER MEDIDOR DE GESTION COMBUSTIBLE				1	AP FOR BRAZIL
24	6Y5-87122-S0	.CORD ASSY 1 .CORDON COMPLETO				1	
25	6Y5-83553-F1	WIRE, LEAD CABLE CONDUCTOR				1	AP FOR BRAZIL
26	6Y5-85752-01	SENDER UNIT ASSY, FUEL METER UNIDAD TRANSM. MED.COMBUST.				2	AP FOR BRAZIL
27	90158-06002	SCREW, WOOD TORNILLO DE MADERA				4	AP FOR BRAZIL
28	6Y5-82117-00	WIRE, LEAD (BLACK) CABLE, CONDUCTOR (NEGRO)				1	AP FOR BRAZIL
29	703-82531-00	WIRE, LEAD CABLE CONDUCTOR				1	AP FOR BRAZIL

FIG. 35 SWITCH. PANEL 1

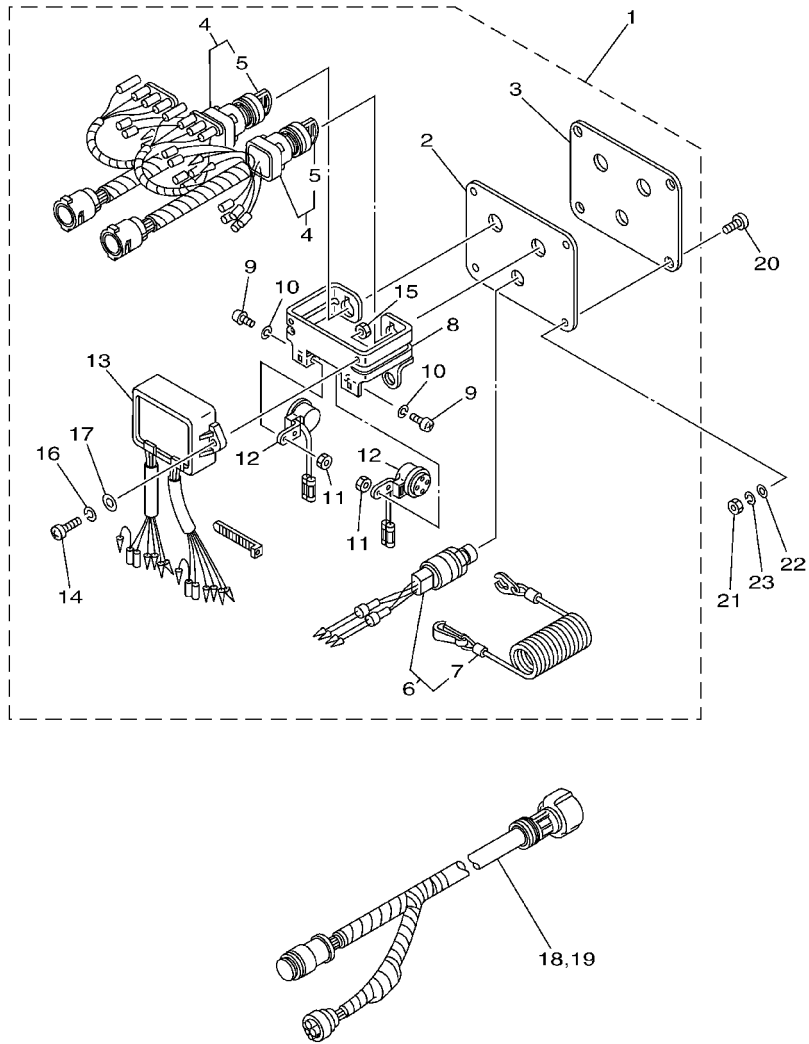
PANEL DE INTERRUPTOR 1



REF. NO.	PART NO. CODIGO NO.	DESCRIPTION DESCRIPTION	65J2	65L2	65K2	65M2	REMARKS OBSERVACION
1	6K1-82570-07	PANEL SWITCH ASSY INTERRUPTOR DE PANEL COMPL.				1	AP FOR BRAZIL
2	6K1-82571-01	.PANEL, SWITCH .PANEL DE INTERRUPTOR				1	
3	6K1-82510-06	.MAIN SWITCH ASSY .CONJUNTO DE LLAVE IGNICION				2	
4	703-82577-00	..CAP, KEY ..TAPA				1	
5	6K1-82575-00	.ENGINE STOP SWITCH ASSY .INTERRUPTOR DE PARADA COMPL.				1	
6	682-82556-00	..STOPPER ..RETENER				1	
7	6K1-83614-01	.BRACKET .SOPORTE				1	
8	98980-05010	.SCREW, BIND .TORNILLO DE AJUSTE				2	
9	92990-05100	.WASHER, SPRING .ARANDELA GROWER				2	
10	95380-05600	.NUT .TUERCA				2	
11	688-83383-11	.BUZZER .ZUMBADOR				2	
12	6K1-85830-01	.CONTROL UNIT ASSY .UNIDAD CONTROL				1	
13	98980-06020	.SCREW, BIND .TORNILLO DE AJUSTE				2	
14	95380-06600	.NUT, HEXAGON .TUERCA				2	
15	92990-06100	.WASHER, SPRING .ARANDELA GROWER				2	
16	92990-06600	.WASHER, PLATE .ARANDELA PLANA				2	
17	6K1-81980-00	.DIODE ASSY .RECTIFICADOR 2				2	
18	6K1-8258A-40	EXTENSION, WIRE HARNESS EXTENSION, ARNES DE CABLES				1	AP FOR BRAZIL
19	61B-8258A-01	EXTENSION, WIRE HARNESS EXTENSION, ARNES DE CABLES				1	AP FOR BRAZIL
20	90149-05M05	SCREW TORNILLO DE REGLAJE				4	AP FOR BRAZIL
21	95380-05600	NUT TUERCA				4	AP FOR BRAZIL
22	92990-05600	WASHER, PLATE ARANDELA PLANA				4	AP FOR BRAZIL
23	92990-05100	WASHER, SPRING ARANDELA GROWER				4	AP FOR BRAZIL

FIG. 36 SWITCH. PANEL 2

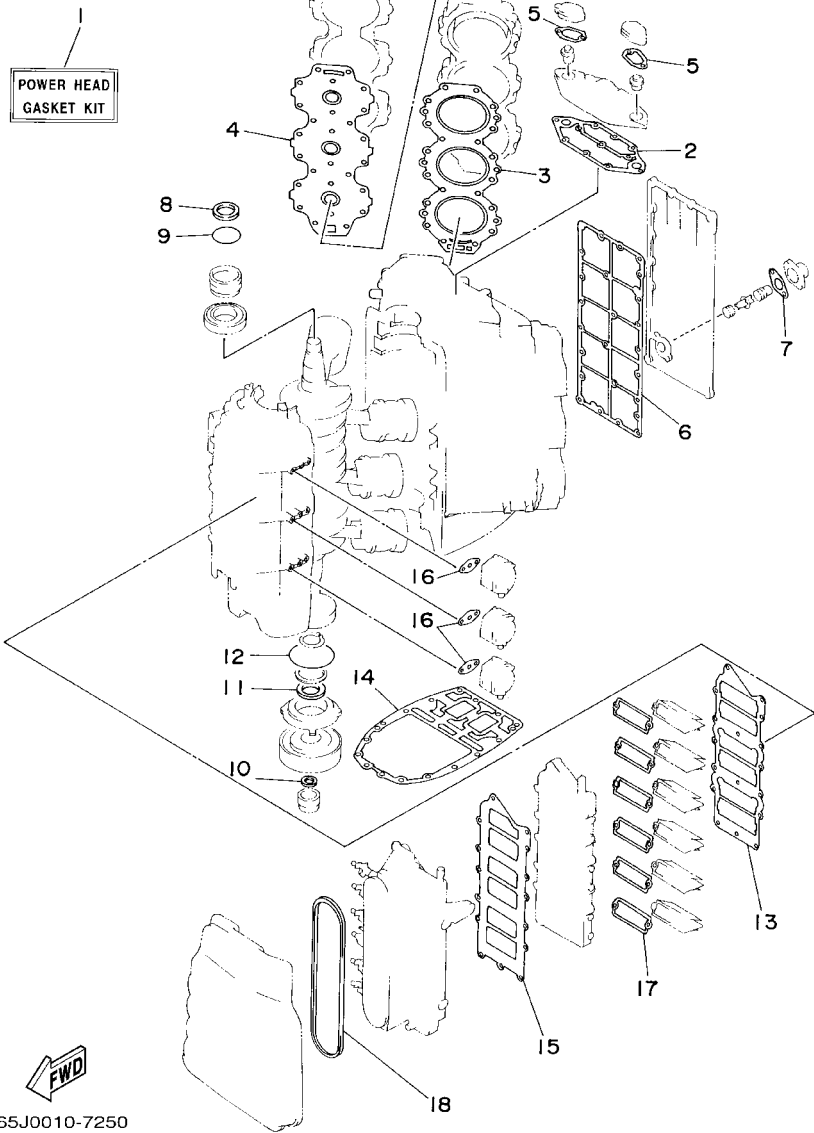
PANEL DE INTERRUPTOR 2



REF. NO.	PART NO. CODIGO NO.	DESCRIPTION DESCRIPTION	65J2	65L2	65K2	65M2	REMARKS OBSERVACION
1	61B-82570-02	PANEL SWITCH ASSY INTERRUPTOR DE PANEL COMPL.			1	1	AP EXCEPT BRAZIL
2	61B-82588-01	.PLATE .PLACA			1	1	
3	61B-82551-01	.STOP SWITCH ASSY .INTERRUP. DE PARADA COMPLTTO			1	1	
4	61B-82510-01	.MAIN SWITCH ASSY .CONJUNTO DE LLAVE IGNICION			2	2	
5	676-82577-00	..CAP, KEY .TAPA			1	1	
6	6K1-82575-00	.ENGINE STOP SWITCH ASSY .INTERRUPTOR DE PARADA COMPL			1	1	
7	682-82556-00	..STOPPER .RETENER			1	1	
8	6K1-83614-01	.BRACKET .SOPORTE			1	1	
9	98980-05010	.SCREW, BIND .TORNILLO DE AJUSTE			2	2	
10	92990-05100	.WASHER, SPRING .ARANDELA GROWER			2	2	
11	95380-05600	.NUT .TUERCA			2	2	
12	6R5-83383-00	BUZZER ZUMBADOR			2	2	
13	61B-85830-00	.CONTROL UNIT ASSY .UNIDAD CONTROL			1	1	
14	98980-06020	.SCREW, BIND .TORNILLO DE AJUSTE			2	2	
15	95380-06600	.NUT, HEXAGON .TUERCA			2	2	
16	92990-06100	.WASHER, SPRING .ARANDELA GROWER			2	2	
17	92990-06600	.WASHER, PLATE .ARANDELA PLANA			2	2	
18	6K1-8258A-40	EXTENSION, WIRE HARNESS EXTENSION, ARNES DE CABLES			1	1	AP EXCEPT BRAZIL
19	61B-8258A-01	EXTENSION, WIRE HARNESS EXTENSION, ARNES DE CABLES			1	1	AP EXCEPT BRAZIL
20	90149-05M05	SCREW TORNILLO DE REGLAJE			4	4	AP EXCEPT BRAZIL
21	95380-05600	NUT TUERCA			4	4	AP EXCEPT BRAZIL
22	92990-05600	WASHER, PLATE ARANDELA PLANA			4	4	AP EXCEPT BRAZIL
23	92990-05100	WASHER, SPRING ARANDELA GROWER			4	4	AP EXCEPT BRAZIL



67H1100-2360



65J0010-7250

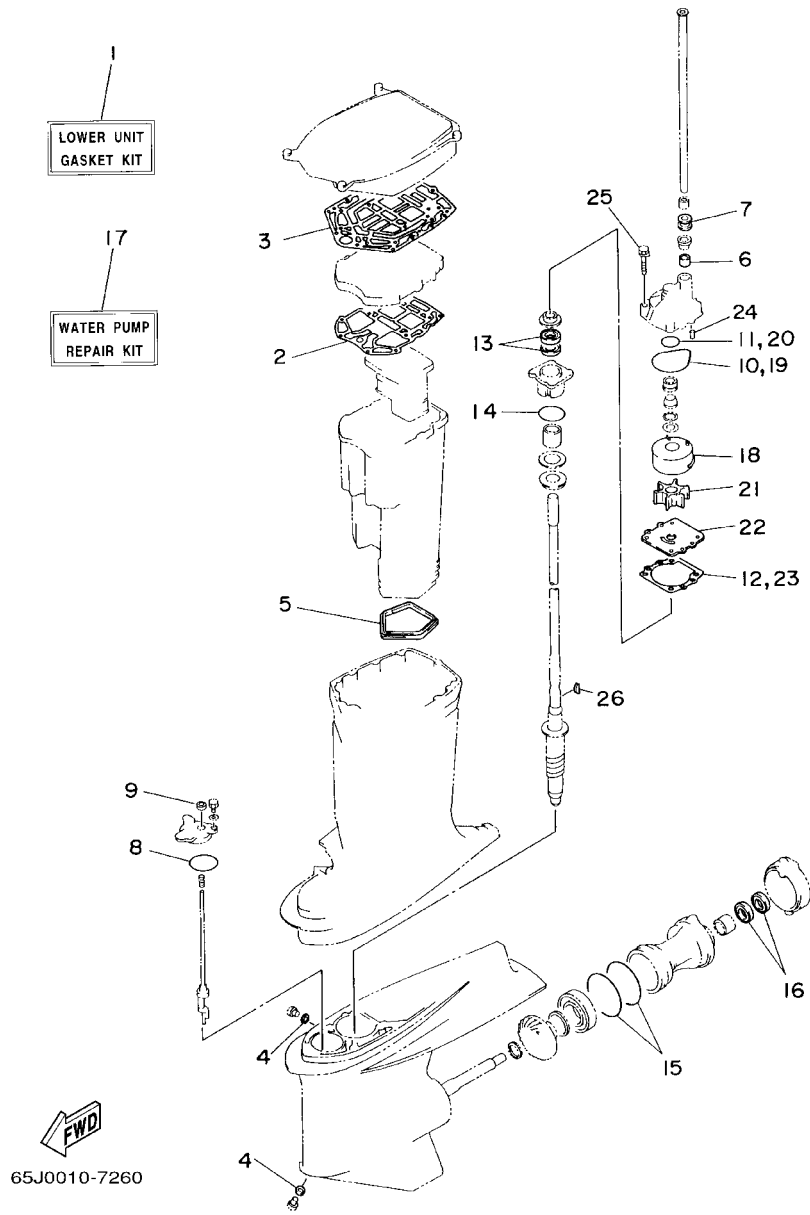
FIG. 37 REPAIR KIT 1

ESTUCHE REPARATION 1

REF. NO.	PART NO. CODIGO NO.	DESCRIPTION DESCRIPTION	65J2	65L2	65K2	65M2	REMARKS OBSERVACION
1	65L-W0001-02	POWER HEAD GASKET KIT JUEGO DE EMPAQUE	1	1	1	1	
2	61A-11381-A0	.GASKET 1 .EMPAQUE 1	1	1	1	1	
3	69L-11181-00	.GASKET, CYLINDER HEAD 1 .JUNTA, DE CULATA 1	2	2	2	2	
4	61A-11193-A1	.GASKET, HEAD COVER 1 .EMPAQUE	2	2	2	2	
5	61A-12414-A0	.GASKET, COVER .EMPAQUE	2	2	2	2	
6	61A-41112-A0	.GASKET, EXHAUST INNER COVER .EMPAQUE	1	1	1	1	
7	6G5-11382-A1	.GASKET 2 .EMPAQUE 2	1	1	1	1	
8	93102-40M38	.OIL SEAL .RETEN DE ACEITE	1	1	1	1	
9	93210-54M54	.O-RING .JUNTA TORICA	1	1	1	1	
10	93104-22M07	.OIL SEAL .SELLO ACEITE	1	1	1	1	
11	93102-40M36	.OIL SEAL .RETEN DE ACEITE	1	1	1	1	
12	93210-81MA6	.O-RING .JUNTA TORICA	1	1	1	1	
13	65L-13645-00	.GASKET, MANIFOLD 1 .EMPAQUE	1	1	1	1	
14	61A-45113-A0	.GASKET, UPPER CASING .EMPAQUE	1	1	1	1	
15	65L-13646-00	.GASKET, MANIFOLD 2 .EMPAQ. DE MULTIPLE 2	1	1	1	1	
16	650-24431-A0	.GASKET, FUEL PUMP 1 .EMPAQUE BOMBA COMBUST 1	3	3	3	3	
17	61A-13621-A0	.GASKET, VALVE SEAT .JUNTA, DE VALV.DE EMPAQUE	6	6	6	6	
18	65L-14483-00	.GASKET .EMPAQUE	1	1	1	1	

FIG. 38 REPAIR KIT 2

ESTUCHE REPARATION 2



REF. NO.	PART NO. CODIGO NO.	DESCRIPTION DESCRIPTION	65J2	65L2	65K2	65M2	REMARKS OBSERVACION
1	65L-W0001-C0	LOWER UNIT GASKET KIT JUEGO DE JUNTA UNIDAD INFERIOR	1	1	1	1	
2	61A-41134-A0	.GASKET, EXHAUST MANIFOLD .EMPAQUE	1	1	1	1	
3	61A-45114-A0	.GASKET, UPPER CASING .EMPAQUE	1	1	1	1	
4	90430-08020	.GASKET .JUNTA	2	2	2	2	
5	61A-45123-01	.GASKET, MUFFLER .EMPAQUE SILENCIADOR	1	1	1	1	
6	6E5-44365-00	.DAMPER, WATER SEAL .HULE DE SELLO DE AGUA	1	1	1	1	
7	6E5-44366-00	.DAMPER, WATER SEAL .GOMA DEL SELLO DE AGUA	1	1	1	1	
8	93210-64488	.O-RING .JUNTA TORICA	1	1	1	1	
9	93106-09014	.OIL SEAL .RETEN DE ACEITE	1	1	1	1	
10	93210-86M38	.O-RING .JUNTA TORICA	1	1	1	1	
11	93210-37160	.O-RING .JUNTA TORICA	1	1	1	1	
12	6E5-44315-A0	.GASKET, WATER PUMP .EMPAQUE	1	1	1	1	
13	93101-28M16	.OIL SEAL .RETEN DE ACEITE	2	2	2	2	
14	93210-55M14	.O-RING .JUNTA TORICA	1	1	1	1	
15	93211-04384	.O-RING .ANILLO EN O	2	2	2	2	
16	93101-30M17	.OIL SEAL .RETEN DE ACEITE	2	2	2	2	
17	61A-W0078-A3	WATER PUMP REPAIR KIT ESTUCHE REPARACION BOMBA AGUA	1	1	1	1	
18	61A-44322-02	.INSERT, CARTRIDGE .CARTUCHO	1	1	1	1	
19	93210-86M38	.O-RING .JUNTA TORICA	1	1	1	1	
20	93210-37160	.O-RING .JUNTA TORICA	1	1	1	1	
21	6E5-44352-01	.IMPELLER .IMPULSOR	1	1	1	1	
22	6G5-44323-00	.OUTER PLATE, CARTRIDGE .PLACA EXTERIOR DEL CARTUCHO	1	1	1	1	
23	6E5-44315-A0	.GASKET, WATER PUMP .EMPAQUE	1	1	1	1	
24	93606-12019	.PIN, DOWEL .PASADOR DE CLAVIJA	2	2	2	2	
25	90119-08M14	.BOLT, WITH WASHER .TORNILLO CON ARANDELA	4	4	4	4	
26	90280-04M05	.KEY, WOODRUFF .CUNA WOODRUFF	1	1	1	1	

NUMERICAL INDEX
INDICE NUMERICO

PART NO. CODIGO NO.	REF. NO.	PART NO. CODIGO NO.	REF. NO.	PART NO. CODIGO NO.	REF. NO.	PART NO. CODIGO NO.	REF. NO.	PART NO. CODIGO NO.	REF. NO.	PART NO. CODIGO NO.	REF. NO.
65L-W0001-CO	38 - 1	64D-11603-01	3 - 21	65L-13645-00	7 - 11	65L-14546-00	5 - 3	6E5-24315-00	10 - 36	65L-24563-00	10 - 16
65L-W0001-02	37 - 1		3 - 23		37 - 13	66K-14548-01	5 - 5	6G5-24315-00	10 - 35	61A-24564-00	10 - 14
65J-W0004-01	7 - 2	64D-11604-01	3 - 21	65L-13646-00	7 - 10	65L-14565-00	5 - 55	6G5-24316-10	10 - 56	65L-24564-00	10 - 18
61A-W0070-S1	1 - 22		3 - 23		37 - 15		6 - 3	6G5-24317-01	10 - 30	61A-24566-00	10 - 23
65L-W0070-V0	1 - 22	64D-11605-01	3 - 21	67H-13751-00	6 - 1		6 - 11	6E5-24319-01	9 - 25	65L-24576-00	5 - 40
61A-W0078-A3	38 - 17		3 - 23	65L-13761-00	6 - 14	65L-14573-00	6 - 25	6E5-24321-01	9 - 29	65L-24577-00	10 - 15
65J-W0090-13-1S	2 - 1	69L-11631-00-85	3 - 20	65L-13764-00	6 - 16	65L-14578-00	6 - 8	6E5-24322-00	9 - 22	66K-24579-00	5 - 41
65L-W0090-13-1S	2 - 1	61A-11633-02	3 - 24	65L-13766-00	6 - 17	65L-14579-00	6 - 26	6E5-24323-00	9 - 15	65L-24592-00	5 - 42
656-W2810-02	9 - 44	61A-11634-00	3 - 25	65L-13769-00	6 - 15	6K5-14592-00	6 - 4	6Y1-24329-00	28 - 5	6YJ-24610-01	28 - 2
62J-11111-01-1S	4 - 1	69L-11635-00	3 - 20	66K-13781-00	5 - 21	65L-14596-00	6 - 23	6E5-24351-51	11 - 3	6A1-28176-00	18 - 59
6E5-11119-01	2 - 28	69L-11636-00	3 - 20	66K-13843-00	5 - 30	61A-14711-22-5B	23 - 32		28 - 10	61A-41112-A0	4 - 15
69L-11181-00	4 - 2	69L-11642-00-85	3 - 22	66K-13844-00	5 - 22	6E5-14737-00	23 - 33	6Y2-24360-52	11 - 5		37 - 6
	37 - 3	69L-11645-00	3 - 22	66K-13898-00	5 - 53	65L-14966-00	5 - 14		28 - 12	61A-41113-00-1S	4 - 13
61A-11191-00-1S	4 - 5	69L-11646-00	3 - 22	67H-13898-00	6 - 10	66K-14980-00	5 - 1	65L-24375-00	5 - 38	61A-41131-00-5B	23 - 25
61A-11193-A1	4 - 6	61A-11650-00	3 - 26	65L-13905-00	5 - 13	66K-14984-00	5 - 6	66K-24376-00	5 - 33	61A-41132-01-5B	23 - 28
	37 - 4	6E5-12411-30	2 - 34	66K-13906-00	5 - 8	66K-14985-00	5 - 4	6R3-24377-00	10 - 3	61A-41134-A0	23 - 29
65L-1131N-00	15 - 49	61A-12413-00-1S	2 - 35	67H-13907-00	5 - 17	65L-14992-00	5 - 36		10 - 6		38 - 2
6J8-11325-00	4 - 8	61A-12413-10-1S	2 - 36	66K-13915-00	5 - 23	65L-14997-00	5 - 37	6E5-24378-00	10 - 32	61A-41137-13-94	23 - 18
61A-11325-00	2 - 21	61A-12414-A0	2 - 37	67H-13938-00	6 - 9	65J-15100-02-1S	2 - 2	65L-24378-00	8 - 9	65L-41213-00	19 - 16
6H3-11327-00-1S	2 - 23		37 - 5	66K-13971-00	6 - 28	65L-15100-02-1S	2 - 2	650-24378-00	4 - 14	65L-41217-00	6 - 32
	4 - 10	6G5-12416-00	4 - 19	67H-13972-00	6 - 30	61A-15315-00	19 - 58	6E5-24379-00	9 - 12	6H1-41237-00	8 - 23
6H3-11328-00	2 - 22	6R3-12572-00	18 - 53	65L-13995-00	6 - 13	61A-15359-00-94	3 - 14		9 - 16	6R5-41237-00	8 - 20
	4 - 9	61A-12576-00	4 - 25	65L-13996-00	6 - 27	6A0-15789-00	21 - 25	65L-24387-00	9 - 30	61A-41237-00	19 - 13
65L-11353-11	15 - 51	6R3-12580-00	18 - 54	65L-14125-00	5 - 7	61A-121708-20	9 - 19		6 - 29	682-41237-00	19 - 15
65L-11354-00	15 - 48	6G5-12581-00	2 - 20	65L-14147-00	5 - 31	6E5-21733-20	9 - 20		6 - 31	65L-41241-00	8 - 21
69L-11357-00	15 - 52	61A-13117-00	8 - 18	65L-14159-00	5 - 20	6E5-21734-01-33	9 - 35	65L-24397-00	5 - 39	65L-41632-01	19 - 6
61A-11371-00-1S	2 - 30	65L-13183-00	8 - 8	65L-1416A-00	5 - 24	6E5-21746-00	9 - 37	6R5-24408-00	10 - 8	69J-42510-00-8D	21 - 5
6E5-11372-01	2 - 3	67H-13183-00	5 - 52	66K-14163-00	5 - 12	61A-21750-00	9 - 1	6E5-24410-03	10 - 38	624-42542-00	9 - 9
	2 - 9	65L-13200-00	8 - 1	67H-14182-00	5 - 2	6E5-21770-03	9 - 21	6E5-24411-00	10 - 43		15 - 2
6F6-11372-00	2 - 7	61A-13411-00	9 - 5	65L-14194-00	5 - 19	6E5-21798-01-33	9 - 36	6E5-24412-10	10 - 50	65J-42610-T0-4D	1 - 1
	7 - 7	6E5-13414-00	9 - 6	67H-14225-00	5 - 54	65L-2415E-60	18 - 58	6E5-24413-00	10 - 40	65L-42610-T0-4D	1 - 1
6G5-11372-00-1S	4 - 23	61A-13416-00	8 - 6	65L-14227-00	5 - 18	6YJ-24167-00	28 - 7	6A0-24421-01	10 - 47	65L-42610-00-4D	1 - 1
6H1-11372-00	23 - 24	6E5-13437-62	9 - 43	66K-14239-00	5 - 10	65L-24169-00	5 - 43	6E5-24423-00	10 - 45	61A-42613-01-4D	1 - 12
650-11372-00	2 - 8	6E5-13448-00	9 - 2	66K-14245-00	5 - 16	6YJ-24201-10	28 - 1	648-24424-00	10 - 44	61A-42615-01	1 - 11
61A-11381-A0	2 - 32	6R3-13471-00	8 - 3	66K-14255-00	5 - 9	646-24251-02	9 - 24	650-24431-A0	10 - 51	61A-42619-02	1 - 9
	37 - 2	6L2-13475-00	8 - 4	66K-14271-00	5 - 25	6Y1-24260-12	28 - 3		37 - 16	61A-42626-00	1 - 15
6G5-11382-A1	4 - 22	67H-13490-00	5 - 45	65L-14274-00	5 - 32	6Y1-24268-00	28 - 6	6E5-24434-02	10 - 46	61A-42627-02	1 - 10
	37 - 7	67H-13532-00	5 - 48	6A0-14325-00	10 - 48	6Y2-24305-04	28 - 13	6E5-24435-00	10 - 42	61A-42636-00	1 - 16
69L-11395-00	15 - 42	67H-13533-00	5 - 50	66K-14325-01	5 - 11	6Y2-24306-42	28 - 8	6E5-24444-00	10 - 39	6R3-42647-00	1 - 2
65L-11396-00	15 - 50	67H-13534-00	5 - 51	65L-14334-00	6 - 6	6Y2-24307-41	11 - 1	65L-24461-00	5 - 49	6R3-42662-00	1 - 5
69L-11397-00	15 - 44	66K-13542-00	5 - 46	65L-14397-00	5 - 35	61A-24311-00	10 - 9	61A-24469-00	10 - 17	61A-4267A-S1	1 - 26
61A-11411-00	3 - 1	67H-13544-00	5 - 47	65L-14440-00	7 - 16		10 - 28	6E5-24471-00	10 - 41	61A-42677-S1	1 - 25
61A-11447-00	3 - 2	65L-13573-00	6 - 12	65L-14483-00	7 - 17		10 - 58	65L-24486-00	5 - 15	61A-42681-S1	1 - 23
663-11518-01	2 - 10	65J-13610-01	7 - 1		37 - 18	65L-24311-00	10 - 54	66K-24489-00	5 - 34	62J-42681-S1	1 - 23
61A-11536-00	3 - 8	65L-13610-01	7 - 1	624-14485-00	2 - 4	68F-24311-00	10 - 9	61A-24521-00	10 - 12	61A-42682-S1	1 - 24
61A-11537-00	8 - 16	61A-13621-A0	7 - 3	65L-14488-00	12 - 23	6E5-24313-00	10 - 60	65L-24531-01	10 - 13	62J-42682-S1	1 - 24
61A-11555-01	3 - 12		37 - 17	65L-14523-00	6 - 7	61A-24313-00	10 - 5	65L-24558-00	10 - 19	65J-42683-S0	1 - 21
61A-11586-01	3 - 11	65L-13624-01-1S	7 - 6	65L-14527-00	6 - 2	6E5-24315-00	10 - 33	65L-24560-00	10 - 11	65L-42683-S0	1 - 21

NUMERICAL INDEX
INDICE NUMERICO

PART NO. CODIGO NO.	REF. NO.	PART NO. CODIGO NO.	REF. NO.	PART NO. CODIGO NO.	REF. NO.	PART NO. CODIGO NO.	REF. NO.	PART NO. CODIGO NO.	REF. NO.	PART NO. CODIGO NO.	REF. NO.
65J-42686-T0	1 - 19	6T4-43802-03	22 - 54	6H1-43866-00	22 - 55	6G5-44323-00	38 - 22	61A-45331-00-94	24 - 34	61A-45577-00-12	24 - 64
65L-42686-T0	1 - 19	61A-43804-01	22 - 87	6H1-43867-00	22 - 56	6E5-44352-01	24 - 24		26 - 36		26 - 68
65L-42686-00	1 - 19	61A-43805-01	22 - 88	6H1-43869-00	22 - 22		26 - 26	61A-45332-02-94	24 - 60	61A-45577-00-15	24 - 64
65J-42687-S0	1 - 20	61A-43806-00	22 - 84	61A-43871-00	22 - 5		38 - 21	61B-45332-01-94	26 - 64		26 - 68
65L-42687-S0	1 - 20	61A-43807-00	22 - 79	6H1-43872-00	22 - 8	61A-44361-20	25 - 2	688-45341-10	24 - 8	61A-45577-00-18	24 - 64
65L-42687-V0	1 - 20	61A-43810-00	22 - 3	61A-43874-00	22 - 67		27 - 2		26 - 10		26 - 68
61A-42711-05-8D	18 - 1	61A-43813-01	22 - 12	6H1-43875-00	22 - 35	6E5-44365-00	24 - 22	6E5-45344-00	24 - 40	61A-45577-00-30	24 - 64
61A-42716-00	18 - 39	6H1-43814-00	22 - 11	6T4-43875-00	22 - 61		25 - 3		26 - 42		26 - 68
61A-42717-00	18 - 40	6H1-43816-00	22 - 53	61A-43875-00	22 - 31	61A-45361-01-5B	24 - 70	61A-45371-00	25 - 14	61A-45577-00-40	24 - 64
61A-42724-00	19 - 59	6H1-43817-00	22 - 18	61A-43875-10	22 - 69		26 - 24		26 - 19		26 - 68
61A-42725-12	18 - 24	61A-43818-00	22 - 16	6T4-43876-00	22 - 38		27 - 3		26 - 74		26 - 68
6H4-42726-00	18 - 38	61A-4382A-00	22 - 75	61A-43876-00	22 - 72	6E5-44366-00	25 - 1	61A-45371-00	25 - 14	61A-45577-00-50	24 - 64
688-42726-10	18 - 37	61A-4382K-00	22 - 46	61A-43878-00	22 - 60		27 - 1	61A-45375-00	25 - 9	6K1-45578-01-10	26 - 70
61A-42727-00	18 - 41	61A-43820-10	22 - 66	61A-43880-02	22 - 76		38 - 7		27 - 9	6K1-45578-01-12	26 - 70
61A-42738-02-5B	18 - 26	61A-43821-00	22 - 63	61A-43881-01	22 - 91	663-44366-00	24 - 6	61A-45376-00-94	24 - 10	6K1-45578-01-15	26 - 70
64D-42738-10-5B	18 - 27	61A-43822-00	22 - 62	61A-43881-11	22 - 92		26 - 8		26 - 12	6K1-45578-01-18	26 - 70
61A-42741-01-8D	18 - 42	61A-43828-00	22 - 21	61A-43884-01	22 - 81	6E5-44391-00	18 - 23	61A-45378-00	23 - 9	6K1-45578-01-30	26 - 70
6E5-42761-00-1S	2 - 39	6H1-43829-00	22 - 59	61A-43885-00	22 - 80	61A-44511-00-94	21 - 33	61B-45383-00	26 - 73	6K1-45578-01-40	26 - 70
61A-42771-01-8D	18 - 43	61A-4383H-11	22 - 70	61A-43887-00	22 - 89	61A-44514-00-94	21 - 26	61B-45384-00	26 - 72	6K1-45578-01-50	26 - 70
6K7-42791-00	18 - 57	6T4-43830-00	22 - 45	61A-4389H-00	22 - 9	6G5-44526-00	20 - 3	61A-45501-20	24 - 43	61A-45587-00-10	24 - 37
61A-42791-S0	23 - 2	6H1-43831-00	22 - 44	61A-43891-00	22 - 86	68F-44533-00	2 - 41		26 - 45		26 - 39
61A-42792-S0	23 - 3	61A-43833-01	22 - 15	6T4-43893-00	22 - 73	61A-44551-01-8D	21 - 10	61A-45527-00	24 - 27	61A-45587-00-12	24 - 37
6R3-42811-01	18 - 9	61A-43835-01	22 - 14	6T4-43895-00	22 - 51	61A-44552-01-94	21 - 21		26 - 29		26 - 39
6R3-42811-10	18 - 13	6H1-4384F-00	22 - 43	61A-44112-00	19 - 50	61A-44553-00-8D	21 - 24	61A-45538-00	24 - 26	61A-45587-00-15	24 - 37
6R3-42813-00	18 - 16	6T4-4384G-00	22 - 49	61A-44116-00	19 - 44	61A-44555-01-94	21 - 13		26 - 28		26 - 39
6R3-42814-00	1 - 6	61A-4384H-10	22 - 71	61A-44117-01-1S	19 - 22	61A-44575-00	21 - 12	61B-45538-01	26 - 4	61A-45587-00-18	24 - 37
61A-42815-01-8D	18 - 3	61A-4384J-00	22 - 28	682-44117-00	18 - 15	61A-45111-22-8D	23 - 1	61A-45551-03	24 - 44		26 - 39
6R3-42816-00	18 - 10	61A-4384K-00	22 - 27	61A-44118-00-8D	19 - 42	61A-45113-A0	23 - 20		26 - 46	61A-45587-00-30	24 - 37
6R3-42824-00	18 - 8	61A-4384L-00	22 - 23	61A-44120-22	19 - 48		37 - 14	61A-45560-03	24 - 47		26 - 39
6N7-42828-00	18 - 19	61A-43840-01	22 - 2	61A-44121-00	19 - 36	61A-45114-A0	23 - 17	61B-45560-01	26 - 49	61A-45587-00-40	24 - 37
6R3-42828-00	18 - 20	6T4-43841-00	22 - 57	6E5-44122-00	19 - 37		38 - 3	61A-45567-00-10	24 - 5		26 - 39
6R3-42850-10	18 - 11	6T4-43844-00	22 - 48	61A-44138-00	19 - 60	663-45119-00	20 - 18		26 - 7	61A-45587-00-50	24 - 37
61A-42850-01	18 - 12	61A-43845-00	22 - 34	60V-44150-00	24 - 15		20 - 29		24 - 5		26 - 39
61A-42850-20	18 - 14	61A-43847-00	22 - 37	60W-44150-00	26 - 17	61A-45123-01	23 - 35		26 - 7		26 - 39
61A-43111-23-8D	20 - 1	61A-43848-00	22 - 32	61A-44176-00-1S	19 - 25		38 - 5	61A-45567-00-15	24 - 5	61B-45611-01	26 - 50
61A-43112-23-8D	20 - 14	6T4-43849-00	22 - 41	61A-44311-01	24 - 18	61A-45155-00	23 - 4		26 - 7	61B-45611-20	26 - 52
6E5-43126-02	20 - 41	61A-4385H-00	22 - 42		26 - 20	61A-45214-10	25 - 10	61A-45567-00-18	24 - 5	69J-45611-00	24 - 48
6R3-43131-00	20 - 19	6T4-43851-00	22 - 24		26 - 20		27 - 10		26 - 7	61A-45631-03	24 - 52
61A-43132-00	20 - 12	61A-43854-00	22 - 33	6E5-44312-00	24 - 23		26 - 25	61A-45567-00-30	24 - 5		26 - 56
61A-43133-00	20 - 15	6T4-43855-00	22 - 50	6E5-44315-A0	24 - 31	61A-45215-10	25 - 11		26 - 7	61A-45632-00	24 - 51
6G5-43144-00	20 - 31	6H1-43856-10	22 - 47		26 - 33		27 - 11		26 - 7		26 - 55
6E5-43145-01	29 - 8	6T4-4386J-00	22 - 77		38 - 12	6G5-45251-02	20 - 2	61A-45567-00-40	24 - 5	61A-45633-00	24 - 53
6G5-43148-00	20 - 36	61A-4386K-00	22 - 85		38 - 23	65J-45300-21-8D	24 - 1		26 - 7		26 - 57
61A-43181-01	20 - 33	6H1-43861-00	22 - 7	61A-44322-02	24 - 19	65K-45300-21-8D	26 - 1	61A-45567-00-50	24 - 5	61A-45634-01	24 - 50
6G5-43185-02	20 - 34	61A-43861-00	22 - 4		26 - 21	61A-45301-10-8D	24 - 2		26 - 7		26 - 54
61A-43311-21-8D	20 - 27		22 - 10		38 - 18		26 - 2	61B-45570-03	26 - 66	61A-45635-00	24 - 55
61A-43376-00	21 - 3		22 - 65	6G5-44323-00	24 - 30	6E5-45318-00	23 - 15	61A-45571-00	24 - 62		26 - 59
61A-43800-25-4D	22 - 1	61A-43864-00	22 - 68		26 - 32	61A-45321-01	24 - 11	61A-45577-00-10	24 - 64	61A-45641-02	24 - 49
							26 - 13		26 - 68	61B-45641-01	26 - 53

NUMERICAL INDEX
INDICE NUMERICO

PART NO. CODIGO NO.	REF. NO.	PART NO. CODIGO NO.	REF. NO.	PART NO. CODIGO NO.	REF. NO.	PART NO. CODIGO NO.	REF. NO.	PART NO. CODIGO NO.	REF. NO.	PART NO. CODIGO NO.	REF. NO.
6H1-45668-00	24 - 54	703-48213-00	32 - 59	702-48263-00	33 - 52	61A-81807-00	17 - 10	6E5-82149-00	21 - 16	6K1-82571-01	35 - 2
	26 - 58	703-48215-00	32 - 43	703-48264-00	32 - 6	61A-81809-00	17 - 4	61A-82150-00	15 - 17	6K1-82575-00	35 - 5
6G5-45970-02-98	25 - 21	704-48215-10	33 - 14	704-48264-00	33 - 9	6K7-81810-00	17 - 5	1E6-82151-00	34 - 16		36 - 6
6K1-45970-01-98	27 - 21	703-48218-00	32 - 64	703-48265-00	32 - 9	6E5-81813-10	17 - 8	61A-82151-00	15 - 18	688-82575-01	32 - 47
6G5-45972-02-98	25 - 21	703-48219-00	32 - 30	704-48265-00	33 - 4	6E5-8182A-10	17 - 16	705-82151-00	14 - 19	676-82577-00	32 - 45
6K1-45972-01-98	27 - 21	704-48219-00	33 - 56	704-48266-00	33 - 10	65L-8182A-00	5 - 26	61A-82153-00	15 - 19		36 - 5
61A-45972-00-98	25 - 21	703-48221-00	32 - 56	703-48268-00	32 - 5	6E5-8182E-10	17 - 14	61A-82154-01	15 - 31	703-82577-00	32 - 45
6G5-45974-03-98	25 - 21	704-48221-00	33 - 77	EL8-48271-00	33 - 24	65L-8182E-00	5 - 28	61A-82176-00	15 - 32		35 - 4
6K1-45974-02-98	27 - 21	703-48222-00	32 - 27	703-48271-00	32 - 60	6E5-8182F-10	17 - 15	6A0-82317-00	9 - 8	6K1-8258A-40	35 - 18
61A-45974-00-98	25 - 21	704-48222-00	33 - 36	EL8-48279-00	33 - 53	65L-8182F-00	5 - 29		15 - 3		36 - 18
61B-45974-00-98	27 - 21	703-48223-00	32 - 28	EL8-48281-00	33 - 13	6K7-8182G-10	17 - 18	663-82317-01	12 - 22	61B-8258A-01	35 - 19
66K-45974-B0	25 - 21	703-48225-00	32 - 29	704-48281-00	32 - 31	6E5-8182K-10	17 - 17	6E3-82370-21	14 - 4		36 - 19
6G5-45978-03-98	25 - 21	704-48225-00	33 - 48	704-48281-00	33 - 15	65L-8182K-00	5 - 27	67H-82380-00	15 - 36	688-8258A-20	32 - 49
6K1-45978-02-98	27 - 21	703-48226-00	32 - 26	703-48282-00	32 - 32	61A-81820-00	17 - 9	67H-82507-00	5 - 44	6E5-82587-00	14 - 32
61A-45978-00-98	25 - 21	703-48227-00	32 - 24	704-48282-00	33 - 62	61A-81822-00-94	17 - 19	6K1-82510-06	35 - 3	6E5-82588-00	18 - 49
61B-45978-00-98	27 - 21	704-48228-00	33 - 38	704-48283-00	33 - 19	61A-81824-00	17 - 3	61B-82510-01	36 - 4	61A-82588-01	19 - 33
6E5-45987-01	25 - 16	704-48228-10	33 - 70	703-48284-00	32 - 52	6K7-81826-10	17 - 13	703-82510-12	32 - 44	61B-82588-01	36 - 2
	27 - 16	704-48229-00	33 - 40	703-48284-10	32 - 52	61A-81830-00	17 - 12	703-82510-43	32 - 44	6R3-8259E-00	9 - 11
688-45997-01	25 - 17	704-48229-10	33 - 68	704-48284-00	33 - 65	61A-81840-00	17 - 6	6G0-82519-00	13 - 22	61A-8259F-00	19 - 32
	27 - 17	EL8-48231-00	33 - 27	704-48285-00	33 - 74	61A-81850-01	17 - 2	61A-82519-00	13 - 21	65L-8259M-00	14 - 23
704-48119-20	33 - 78	EL8-48232-00	33 - 45	704-48286-00	33 - 75	61H-81857-00	17 - 11	61A-8252U-00	16 - 9	65L-8259N-01	14 - 24
EL8-48127-00	33 - 25	703-48232-00	32 - 62	701-48287-00	32 - 42	6E5-81900-01	9 - 27	6R3-82521-70	34 - 18	65L-82590-10	14 - 18
704-48128-00	33 - 71	EL8-48233-00	33 - 60	704-48287-00	33 - 22	65L-81915-00-94	14 - 8	6R3-82521-80	34 - 18	704-82590-10	33 - 67
6A5-48129-10	33 - 12	EL8-48234-00	33 - 55	703-48291-10	32 - 39	65L-81916-00	14 - 12	61A-82531-00	14 - 15	703-82531-00	32 - 53
704-48144-00	33 - 57	703-48234-00	32 - 18	703-48293-10	32 - 41	61A-81919-00	15 - 57	703-82531-00	32 - 46	703-82592-00	32 - 54
703-48152-00	32 - 57	703-48235-00	32 - 4	701-48320-40	31 - 3	65L-81919-00	15 - 56		34 - 29	6E5-82594-00	18 - 48
EL8-48153-10	33 - 63		33 - 61	701-48320-80	31 - 3	6E5-81922-00	9 - 28	703-82540-00	32 - 50	688-82594-00	18 - 52
703-48153-00	32 - 3	703-48236-00	32 - 16	6E5-48344-00	19 - 7	61A-81941-00	15 - 14	704-82540-10	33 - 11	703-82594-00	32 - 25
704-48156-00	33 - 72	703-48238-00	32 - 22		19 - 40	65L-81942-00	15 - 29	703-82542-00	32 - 63	704-82594-00	33 - 37
EL8-48158-00	33 - 31		33 - 44	703-48345-01	32 - 19	65L-81948-00	15 - 1	61B-82551-01	36 - 3	6R5-83383-00	36 - 12
EL8-48164-00	33 - 46	EL8-48241-00	33 - 28		33 - 21	61A-81949-00	15 - 12	6R3-82553-30	34 - 20	688-83383-11	35 - 11
704-48166-00	33 - 64	704-48242-00	33 - 47	703-48358-00	32 - 20	61A-81949-10	15 - 11	6R3-82553-70	34 - 19	703-83383-A0	32 - 51
704-48176-10	33 - 58	703-48243-00	32 - 15		33 - 26	61A-81950-00	15 - 7	6R3-82553-80	34 - 19	6Y5-8350F-00	34 - 23
704-48178-00	33 - 76	EL8-48244-00	33 - 34	65L-48531-00	19 - 1	65L-81950-01	15 - 34	68F-82553-80	34 - 19	6Y5-8350T-02	34 - 1
703-48189-00	32 - 17	703-48244-00	32 - 21	663-48538-00	19 - 2	704-81950-00	33 - 66	68F-82553-90	34 - 19	6Y5-83500-S5	34 - 6
EL8-48191-00	33 - 18	EL8-48245-00	33 - 35	6E5-61301-01	30 - 1	61A-81952-00	15 - 15	682-82556-00	32 - 48	6Y5-83533-T2	34 - 10
703-48192-00	33 - 59	703-48245-00	32 - 11	6E5-61303-00	30 - 5	61A-81960-02	15 - 20		35 - 6	6Y5-83553-F1	34 - 25
704-48192-00	33 - 49	701-48246-00	33 - 5	6E5-61311-11	30 - 3	69J-81972-01-1S	15 - 22		36 - 7	6Y5-83553-M0	34 - 15
704-48193-00	33 - 54	703-48246-00	32 - 23	6E5-61313-00	30 - 2	69J-81975-A0	15 - 21	61A-82560-00	16 - 8	6Y5-83553-00	34 - 15
703-48198-00	32 - 14	701-48248-00	32 - 13	6E5-61315-00	30 - 4	6K1-81980-00	35 - 17	61A-82563-00	14 - 31	6E9-83557-70	10 - 62
703-48205-A4	31 - 1		33 - 43	6E5-61350-02	29 - 1	61A-82105-00	14 - 28	703-82563-02	32 - 55	6Y5-83557-00	34 - 21
	32 - 1	EL8-48251-00	33 - 3	6E5-61351-01	29 - 2	6Y5-82117-00	34 - 17	703-82563-12	32 - 55	6Y5-83557-10	34 - 21
703-48207-17	31 - 1	703-48252-00	32 - 12	6E5-61355-00	29 - 5		34 - 28	704-82563-E0	33 - 69	6Y5-83557-31	34 - 11
	32 - 1	EL8-48254-00	33 - 29	6E5-81332-00	12 - 14	61A-82117-00	15 - 33	704-82563-F0	33 - 73	65L-83557-00	10 - 63
704-48207-23	31 - 2	EL8-48259-00	33 - 7	61A-81337-01	12 - 17	6G5-82119-00	15 - 13	704-82563-31	33 - 39	6E5-83558-00	23 - 13
	33 - 1	703-48261-01	32 - 2	65L-81338-00-1S	12 - 18	61A-82147-20	20 - 30	6E3-8257H-00	18 - 60	6Y5-83570-S5	34 - 7
703-48211-01	32 - 61	704-48261-00	33 - 17	69L-81800-00	17 - 1	6E5-82148-00	20 - 9	6K1-82570-07	35 - 1	6K1-83614-01	35 - 7
703-48212-00	32 - 58	704-48262-00	33 - 8	6K7-81801-10	17 - 7	6H1-82148-00	20 - 6	61B-82570-02	36 - 1		36 - 8

NUMERICAL INDEX
INDICE NUMERICO

PART NO. CODIGO NO.	REF. NO.	PART NO. CODIGO NO.	REF. NO.	PART NO. CODIGO NO.	REF. NO.	PART NO. CODIGO NO.	REF. NO.	PART NO. CODIGO NO.	REF. NO.	PART NO. CODIGO NO.	REF. NO.
61A-83614-00	14 - 33	90109-06M40	8 - 5	90170-16M19	24 - 46	90202-32M19	21 - 14	90445-07M11	2 - 12	90465-11M10	14 - 29
6K1-83623-41	12 - 25	90109-06M50	18 - 7		26 - 48	90202-40M47	21 - 9	90445-07M40	2 - 17		18 - 56
6A1-83625-41	12 - 24	90109-09001	3 - 27	90170-24M22	12 - 12	90206-10M04	19 - 19	90445-07M44	2 - 16		20 - 23
65L-83625-40	14 - 35	90109-14M10	21 - 30	90171-18M04	25 - 19	90206-12M00	19 - 11		7 - 18		23 - 14
	15 - 58	90109-14M48	21 - 17		27 - 19	90206-13M10	18 - 5	90445-09M25	4 - 17		34 - 13
61A-83672-02	21 - 1	90119-06MA2	2 - 33	90179-06M24	1 - 14	90206-14086	22 - 82	90445-09220	8 - 10		34 - 22
61A-83721-00	12 - 4		2 - 40		7 - 15	90206-22M19	24 - 29	90445-09224	15 - 27	90465-11M52	13 - 18
6Y5-83728-00	34 - 12		4 - 24	90183-02M03	24 - 57		26 - 31	90445-11M26	9 - 31		14 - 26
65L-85370-00	14 - 5	90119-06MA3	4 - 16		26 - 61	90249-06M19	20 - 37	90445-11M36	18 - 55	90465-13M11	9 - 3
65L-85510-10	12 - 2	90119-06MA5	2 - 38	90183-05M02	23 - 34	90280-04M05	24 - 25	90445-12M04	9 - 13		9 - 41
61A-85525-00	13 - 11		4 - 7	90185-05002	25 - 13		26 - 27	90445-13M01	11 - 2	90465-13M18	4 - 26
61A-85537-00	13 - 19	90119-06M10	24 - 14		27 - 13		38 - 26		28 - 9		14 - 27
65J-85540-02	13 - 7		26 - 16	90185-09M01	29 - 6	90280-05015	12 - 11	90445-13M14	10 - 57		14 - 30
65L-85540-02	13 - 7	90119-06M13	2 - 15		30 - 11	90340-08002	24 - 7	90445-13M17	10 - 2		15 - 46
61A-85542-01-94	13 - 1	90119-06M17	23 - 10	90185-14M00	21 - 31		26 - 9	90445-13M35	28 - 11	90465-13M30	18 - 25
61A-85548-00	13 - 10	90119-06M28	13 - 4	90185-22M11	20 - 22	90340-14M00	2 - 26	90446-09M69	8 - 11	90467-08004	4 - 18
61A-85550-01	12 - 1	90119-06M65	9 - 10	90201-02M00	24 - 56	90383-16M01	2 - 6	90450-10M07	11 - 6		15 - 28
61A-85570-00	14 - 1		14 - 9		26 - 60	90384-06M07	2 - 5	90464-04M12	6 - 33	90468-07M02	8 - 15
61A-85580-01	12 - 3		15 - 4	90201-05552	6 - 5	90385-04M05	1 - 13	90464-09M47	16 - 7	90468-18008	19 - 8
6E5-85711-40	9 - 42	90119-06M74	15 - 45	90201-06M30	18 - 6	90386-10M16	20 - 35	90464-12M48	16 - 4		19 - 39
6E5-85720-04	9 - 33	90119-08MA3	2 - 29	90201-06M31	19 - 17	90386-12069	19 - 27	90464-13M34	9 - 18	90480-06M19	11 - 4
6R3-85721-80	9 - 34	90119-08MA5	4 - 3	90201-06068	10 - 22	90386-13M88	18 - 4		10 - 4	90480-09M12	13 - 2
61A-85730-01	9 - 4	90119-08M14	24 - 33	90201-08M54	18 - 34	90386-18M14	20 - 43	90464-15M11	13 - 17	90480-10M23	6 - 22
6Y5-85752-01	34 - 26		26 - 35	90201-09M01	8 - 17		22 - 17	90464-18M46	12 - 21		14 - 11
61A-85780-00	16 - 1		38 - 25	90201-09M02	19 - 57	90386-18M63	20 - 42		15 - 10	90480-20M05	4 - 21
61A-85790-00	16 - 2	90119-08M22	18 - 36	90201-10M20	29 - 7	90386-25M31	20 - 20	90464-19M45	14 - 14	90480-22M81	18 - 32
6K1-85830-01	35 - 12	90119-08M74	23 - 36	90201-10M76	30 - 8	90386-39M89	21 - 7	90465-05M87	14 - 21	90501-10M77	24 - 58
61B-85830-00	36 - 13	90119-08M76	17 - 20	90201-12M05	20 - 47	90386-90M90	19 - 55	90465-06M86	2 - 31		26 - 62
65L-85832-00	15 - 47	90119-08M77	17 - 21	90201-12M34	15 - 40	90387-05M00	6 - 21		17 - 26	90501-11M10	24 - 17
61A-85885-00	6 - 18	90119-08M78	23 - 8	90201-13M01	20 - 46	90387-06M03	13 - 3	90465-08M89	14 - 20		26 - 19
6K7-85886-00	6 - 19	90119-08M79	23 - 21	90201-15M58	21 - 18	90387-06M29	19 - 18	90465-11M10	8 - 7	90501-16M11	4 - 20
65L-85886-00	15 - 38	90119-08M99	4 - 4	90201-16M00	24 - 45	90387-06M60	14 - 10		8 - 12	90506-14M24	20 - 40
61A-85895-00	16 - 5	90119-10MA2	25 - 8		26 - 47	90387-08M09	19 - 28		9 - 14	90508-20M31	19 - 31
65L-8592A-01	15 - 41		27 - 8	90201-16M01	21 - 27	90387-08M16	19 - 12		9 - 17	90560-12M01	29 - 4
6Y5-87122-S0	34 - 14	90149-05M05	35 - 20	90201-16M55	21 - 15	90387-08M37	18 - 33		9 - 23	91490-12012	8 - 24
	34 - 24		36 - 20	90201-22M01	24 - 28	90387-10M02	20 - 38		9 - 26	91490-20012	19 - 56
61A-87149-00	15 - 6	90152-05003	25 - 12		26 - 30	90387-10M61	29 - 3		9 - 32	91490-40030	25 - 20
9E450-04433	34 - 2		27 - 12	90201-25M02	12 - 13	90430-08020	24 - 9		10 - 1		27 - 20
9E450-04533	34 - 3	90157-05107	22 - 78	90201-26M03	3 - 29		26 - 11		10 - 7	91609-10014	22 - 64
90101-09M70	30 - 9	90158-06002	34 - 27	90201-26M59	20 - 21		38 - 4		10 - 10	91690-30010	19 - 3
90101-12M05	20 - 45	90159-06M03	13 - 20	90201-28M01	21 - 29	90430-14115	2 - 27		10 - 29	91690-30020	20 - 39
90105-06028	7 - 9		14 - 13	90201-29M01	26 - 51	90445-05M07	9 - 7		10 - 31	92780-06020	33 - 30
90105-08M48	24 - 68	90159-06M16	7 - 19	90201-31M00	24 - 63	90445-07MA6	2 - 18		10 - 34	92901-04100	22 - 20
	26 - 77	90169-05M00	15 - 30	90201-40M00	21 - 6		2 - 19		10 - 37	92901-05100	22 - 26
90105-10M00	25 - 15		18 - 2	90202-05088	8 - 25	90445-07MFO	23 - 12		10 - 55	92903-06100	12 - 6
	27 - 15	90170-09M05	30 - 10	90202-06007	19 - 41	90445-07M02	8 - 13		10 - 59		19 - 52
90105-10M62	2 - 13	90170-12M36	15 - 39	90202-08M20	19 - 38	90445-07M03	7 - 8		10 - 61	92903-06600	2 - 25
90105-10M75	2 - 14	90170-14M06	30 - 6	90202-28M46	21 - 28		8 - 14		14 - 25		4 - 12

NUMERICAL INDEX
INDICE NUMERICO

PART NO. CODIGO NO.	REF. NO.	PART NO. CODIGO NO.	REF. NO.	PART NO. CODIGO NO.	REF. NO.	PART NO. CODIGO NO.	REF. NO.	PART NO. CODIGO NO.	REF. NO.	PART NO. CODIGO NO.	REF. NO.
92903-06600	7 - 13 12 - 7 12 - 20 13 - 6 13 - 9 13 - 16 14 - 3 14 - 22 15 - 9 15 - 24 15 - 26 19 - 21 19 - 53	92995-06600	10 - 53 12 - 16 13 - 14 13 - 24 14 - 17 15 - 55 17 - 25 18 - 18 18 - 22 18 - 29 18 - 31 18 - 45 18 - 47 18 - 51 19 - 24 19 - 47	93102-40M36 93102-40M38 93104-22M07 93106-09014 93106-19N50 93210-06001 93210-064A5 93210-07003 93210-08287 93210-09165 93210-10M74 93210-16275 93210-17003 93210-18MA9 93210-18397 93210-19M82 93210-35321 93210-37160 93210-54M54 93210-55M14 93210-64488 93210-72789 93210-81MA6 93210-86M38 93211-04384 93300-60820 93306-209U1	37 - 11 3 - 4 37 - 8 3 - 13 37 - 10 24 - 13 26 - 15 38 - 9 22 - 6 22 - 40 22 - 29 22 - 39 28 - 14 19 - 49 22 - 58 22 - 95 22 - 52 29 - 9 15 - 43 8 - 19 22 - 36 8 - 2 21 - 8 24 - 21 26 - 23 38 - 11 38 - 20 3 - 5 37 - 9 24 - 39 38 - 14 24 - 12 38 - 8 22 - 90 3 - 17 37 - 12 24 - 20 26 - 22 38 - 10 38 - 19 24 - 67 26 - 76 38 - 15 22 - 83 22 - 93 3 - 6	93306-210U0 93306-308U0 93310-326V4 93310-840V8 93310-959U0 93311-83280 93311-940V0 93315-430U8 93315-440V6 93315-660W3 93317-330U2 93317-330U5 93332-000W1 93332-000W2 93341-440U5 93341-670V0 93341-930U9 93410-18M02 93410-37M04 93410-40M03 93420-36M01 93420-61M07 93430-06024 93501-04011 93501-08001 93505-32038 93606-12019 93608-12M05 93608-12063 93700-06M01 93700-06M03 93700-09M00 94702-00309	24 - 61 3 - 9 3 - 28 3 - 30 3 - 7 24 - 3 26 - 3 3 - 3 26 - 67 26 - 71 26 - 5 24 - 36 26 - 38 24 - 65 26 - 74 24 - 4 26 - 65 26 - 69 26 - 6 24 - 38 26 - 40 20 - 44 21 - 11 3 - 10 23 - 16 3 - 16 32 - 10 33 - 6 24 - 59 26 - 63 22 - 74 22 - 30 23 - 11 24 - 32 26 - 34 38 - 24 23 - 7 23 - 19 25 - 4 27 - 4 2 - 11 19 - 26 19 - 43 20 - 17 20 - 28 24 - 69 26 - 78 4 - 27	95313-08600 95380-03600 95380-04600 95380-05600 95380-06600 95380-12600 95380-14700 95380-14800 95670-06655 95780-10300 97013-06012 97013-06014 97013-06016 97013-06020 97013-06025 97013-06030 97013-06035 97013-06060 97013-08045 97075-08035 97080-06012 97080-06100 97095-06010 97095-06012 97095-06016	19 - 54 10 - 49 34 - 5 34 - 9 8 - 22 19 - 14 32 - 7 33 - 23 35 - 10 35 - 21 36 - 11 36 - 21 1 - 4 9 - 40 32 - 40 33 - 42 35 - 14 36 - 15 20 - 48 30 - 7 21 - 19 7 - 14 21 - 4 19 - 51 13 - 15 15 - 5 2 - 24 4 - 11 13 - 5 14 - 2 12 - 19 13 - 8 15 - 23 15 - 8 15 - 25 19 - 20 12 - 5 7 - 12 19 - 9 18 - 35 16 - 10 9 - 38 18 - 21 20 - 7 20 - 32 23 - 5 1 - 7 13 - 23	97095-06012 97095-06014 97095-06016 97095-06020 97095-06025 97095-06030 97095-06050 97095-08016 97095-08020 97095-08025 97095-08035 97095-08050 97095-10045 97380-05025 97380-06018 97380-08030 97595-06420 97780-40520 97780-50612 97780-60625 97880-05016 97885-04016 97885-05010 97885-05012 97885-05030 97885-06008	14 - 16 14 - 34 17 - 24 18 - 30 10 - 24 10 - 20 10 - 26 13 - 12 18 - 17 18 - 28 19 - 23 3 - 18 18 - 46 18 - 50 20 - 4 15 - 53 18 - 44 19 - 45 10 - 52 17 - 22 19 - 4 24 - 71 26 - 80 24 - 41 26 - 43 19 - 29 23 - 22 23 - 26 23 - 30 20 - 24 21 - 22 21 - 34 25 - 5 27 - 5 32 - 8 33 - 20 32 - 33 22 - 13 1 - 18 15 - 16 15 - 35 7 - 4 19 - 34 14 - 6 16 - 6 12 - 8 19 - 61

NUMERICAL INDEX
INDICE NUMERICO

PART NO. CODIGO NO.	REF. NO.	PART NO. CODIGO NO.	REF. NO.	PART NO. CODIGO NO.	REF. NO.	PART NO. CODIGO NO.	REF. NO.	PART NO. CODIGO NO.	REF. NO.
97885-06010	12 - 15								
	20 - 13								
	20 - 16								
97885-06012	20 - 10								
97885-06016	21 - 2								
97890-05016	33 - 2								
97890-05025	33 - 16								
97890-06018	33 - 50								
97985-05212	6 - 20								
97985-05330	6 - 24								
98501-04030	22 - 19								
98501-05010	22 - 25								
98580-03015	32 - 38								
98580-04006	32 - 36								
	33 - 32								
98580-04010	32 - 35								
98580-05010	32 - 37								
98586-05016	28 - 4								
98780-05018	33 - 33								
98980-05010	35 - 8								
	36 - 9								
98980-06020	35 - 13								
	36 - 14								
99001-08600	24 - 16								
	26 - 18								

225F/250B/L225F/L250B
PARTS CATALOGUE
©2002 by Yamaha Motor Co., Ltd.
1st Edition, Aug. 2002
All rights reserved.
Any reprinting or unauthorized use
without the written permission of
Yamaha Motor Co., Ltd.
is expressly prohibited.

225F/250B/L225F/L250B
CATALOGO DE REPUESTOS
©2002, Yamaha Motor Co., Ltd.
1ª edición, Ag. 2002
Reservados todos los derechos.
Se prohíbe expresamente toda reimpresión
o utilización no autorizada de este manual
sin el consentimiento por escrito de
Yamaha Motor Co., Ltd.